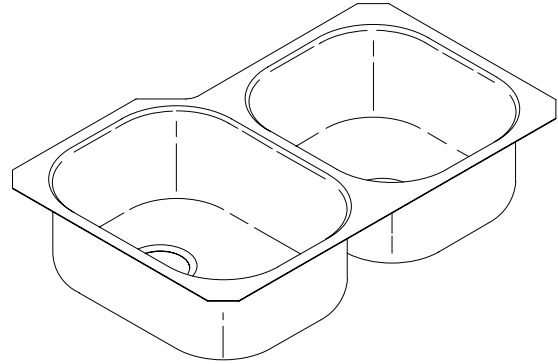


Features

- 18 gauge stainless steel
- Undercounter
- Double (large/medium) compartment
- Rounded bowl(s)
- Includes installation hardware
- 7-1/2" (19.1 cm) deep basins
- 28-3/4" (73 cm) x 17-7/8" (45.4 cm)

UNDERCOUNTER KITCHEN SINK K-3354



Codes/Standards Applicable

Specified model meets or exceeds the following:

- ASME A112.19.3
- IAPMO/UPC
- CSA B45

Colors/Finishes

- NA: None applicable

Accessories:

- CP: Polished Chrome
- 0: White
- NA: None applicable
- Other: Refer to Price Book for additional colors/finishes

Specified Model

Model	Description	Colors/Finishes
K-3354	Undercounter sink with medium basin on right	<input type="checkbox"/> NA
K-3354-L	Undercounter sink with medium basin on left	<input type="checkbox"/> NA

Optional Accessories			
K-3278	Hardwood cutting board (for either basin)	<input type="checkbox"/> NA	
K-3280	Wire basket (for either basin)	<input type="checkbox"/> 0 White	<input type="checkbox"/> Other_____
K-3291	Colander (for either basin)	<input type="checkbox"/> 0 White	<input type="checkbox"/> Other_____
K-8801	Duostrainer® sink strainer	<input type="checkbox"/> CP	<input type="checkbox"/> Other_____

Product Specification:

The undercounter kitchen sink shall be 28-3/4" (73 cm) in length and 17-7/8" (45.4 cm) in width. Sink shall be made of 18 gauge stainless steel. Sink shall feature double (large/medium) compartments with rounded bowls. Sink basins shall be 7-1/2" (19.1 cm) deep. Sink shall include installation hardware. Sink shall be Kohler Model K-3354-_____.

UNDERTONE™

Technical Information

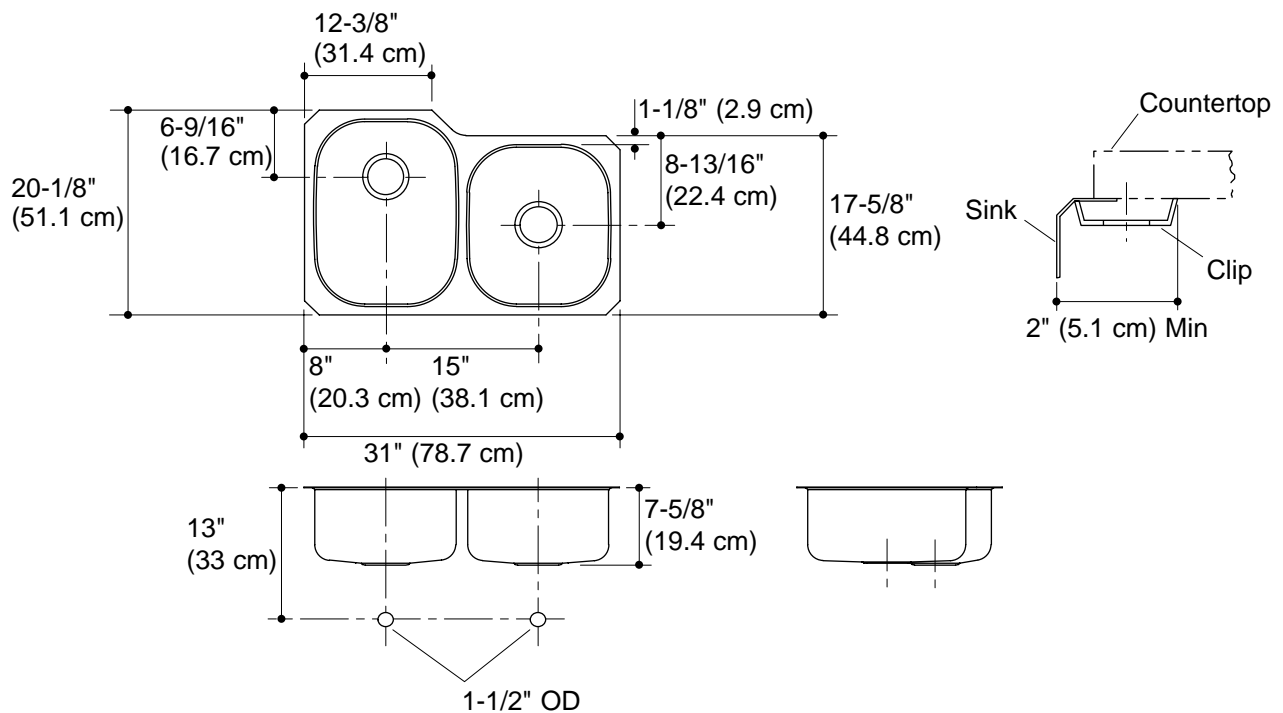
Dimensions shown for K-3354; sink dimensions are opposite for K-3354-L.		
Fixture*:	Basin area	Water depth
Sink, left	14" (35.6 cm) x 18" (45.7 cm)	7-1/2" (19.1 cm)
Sink, right	14" (35.6 cm) x 15" (38.1 cm)	7-1/2" (19.1 cm)
Drain holes	3-5/8" (9.2 cm) D.	
* Approximate measurements for comparison only.		

Included components:	
Hardware kit (4 required)	91915
Cut-out template (K-3354)	1040558-7
Cut-out template (K-3354-L)	1024992-7

Installation Notes

Install this product according to the installation guide.

Allow a minimum of 2" (5.1 cm) clearance around the sink rim for clip attachment.



Product Diagram