

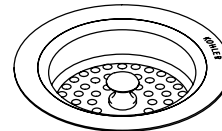
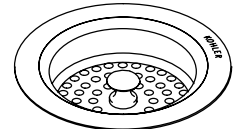
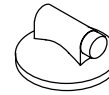
FEATURES

- Brass construction
- For sink installations with 3-1/2" or 4" outlet
- Removable basket strainers
- Remote control cable to each drain
- 1-1/2" connections
- Brass tailpieces

CODES/STANDARDS APPLICABLE

Specified model meets or exceeds the following:

- ASME/ANSI A112.18.1M
- IAPMO/UPC



COLORS/FINISHES

- CP Polished Chrome
- PB Polished Brass
- Other Refer to Faucets Price Book for additional finishes

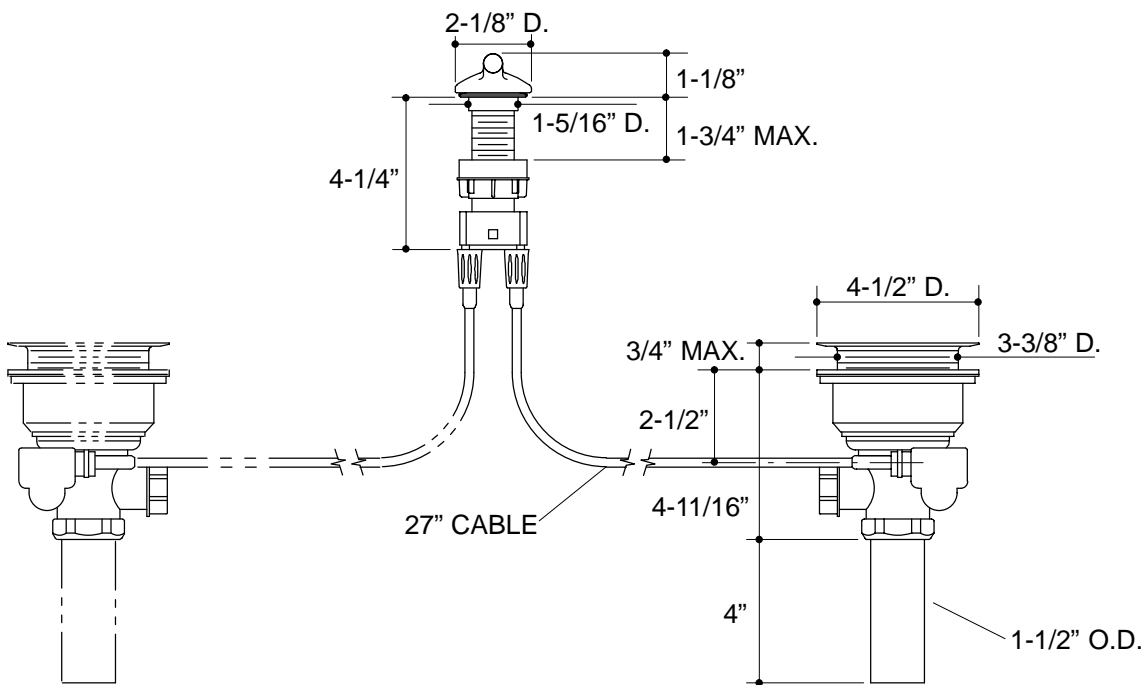
SPECIFIED MODEL:

Model	Description			
K-8816	Dual Sink Strainers	<input type="checkbox"/> CP	<input type="checkbox"/> P <input type="checkbox"/> B	<input type="checkbox"/> Other_____
K-8817	Single Sink Strainer	<input type="checkbox"/> CP	<input type="checkbox"/> P <input type="checkbox"/> B	<input type="checkbox"/> Other_____

PRODUCT SPECIFICATION:

Duostrainer Dry sink strainer shall be of brass construction. Product shall feature removable basket strainers, cast brass bodies, a single remote control cable to each drain, brass tailpieces, and 1-1/2" connections. Product is intended for sink installations with 3-1/2" or 4" outlet. Optional feature shall be dual or single sink strainer. Strainer shall be Kohler Model K-_____ - _____.

DUOSTRAINER® DRY



316

PRODUCT DIAGRAM