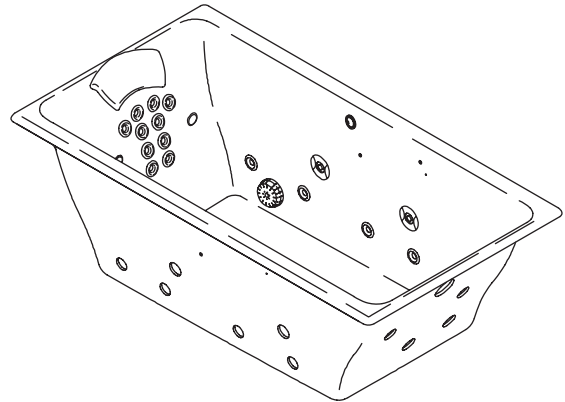


### Features

- Cast iron with Safeguard® finish
- Drilled for required grip rails
- 2 hp variable speed pump with 1.5 kW heater, back-lit user keypad and remote control
- 6 Flexjets™
- Two pulsating neckjets with pillow
- 8 effervescence ports
- 4 chromatherapy lights
- Ten color-matched sequencing Bodyssage backjets
- 66" (167.6 cm) x 36" (91.4 cm) x 23" (58.4 cm)

### 5.5' EXPERIENCE BATH WHIRLPOOL WITH SPA/MASSAGE PACKAGE K-856-V



### Codes/Standards Applicable

Specified model meets or exceeds the following:

- IAPMO/UPC
- Underwriter's Laboratories (UL)
- ASME A112.19.1M
- ASME A112.19.7M

### Colors/Finishes

- 0: White
- Other: Refer to Price Book for additional colors/finishes

### Accessories:

- CP: Polished Chrome
- PB: Polished Brass
- Other: Refer to Price Book for additional colors/finishes
- NA: None applicable

### Specified Model

Model	Description	Colors/Finishes		
K-856-V	Bath whirlpool with Spa/Massage Package	<input type="checkbox"/> 0	<input type="checkbox"/> Other_____	
<b>Required Accessories</b>				
K-7148-AF	Drain	<input type="checkbox"/> CP	<input type="checkbox"/> PB	<input type="checkbox"/> Other_____
K-9653	Grip rails (pair)	<input type="checkbox"/> CP	<input type="checkbox"/> PB	<input type="checkbox"/> Other_____
<b>Optional Accessory</b>				
K-1601	Footstop	<input type="checkbox"/> 0	<input type="checkbox"/> Other_____	

### Product Specification:

The bath whirlpool shall be 66" (167.6 cm) in length, 36" (91.4 cm) in width, and 23" (58.4 cm) in height. Bath whirlpool shall be made of cast iron with Safeguard® finish. Bath whirlpool shall have 6 Flexjets™, 8 effervescence ports, 4 chromatherapy lights, 2 hp variable speed pump with 1.5 kW heater, back-lit user keypad and remote control. Bath whirlpool shall have ten color-matched sequencing Bodyssage backjets and 2 pulsating neckjets with pillow. Bath whirlpool shall be drilled for K-9653 grip rails (required). Bath whirlpool shall be Kohler Model K-856-V-\_\_\_\_\_.

# TEA-FOR-TWO™

## Technical Information

<b>Fixture:*</b>	
Weight	510 lbs. (231 kg)
Bathing Well:	
Basin area	42" (106.7 cm) x 25" (63.5 cm)
Top area	58" (147.3 cm) x 29" (73.7 cm)
To Overflow:	
Water depth	18" (45.7 cm)
Capacity	96 gal. (363.4 L)
* Approximate measurements for comparison only.	

Pump	Heater	Voltage	Frequency	Amperage
2 HP	1.5 kW	240 V	50/60 Hz	15 A

## Required Electrical Service

Dedicated circuit required, protected with Class A Ground-Fault Circuit-Interrupter (GFCI) or Earth-Leakage Circuit-Breaker (ELCB):	
Pump/control	220-240 V, 20 A, 50/60 Hz

## Installation Notes

Install this product according to the installation guide.

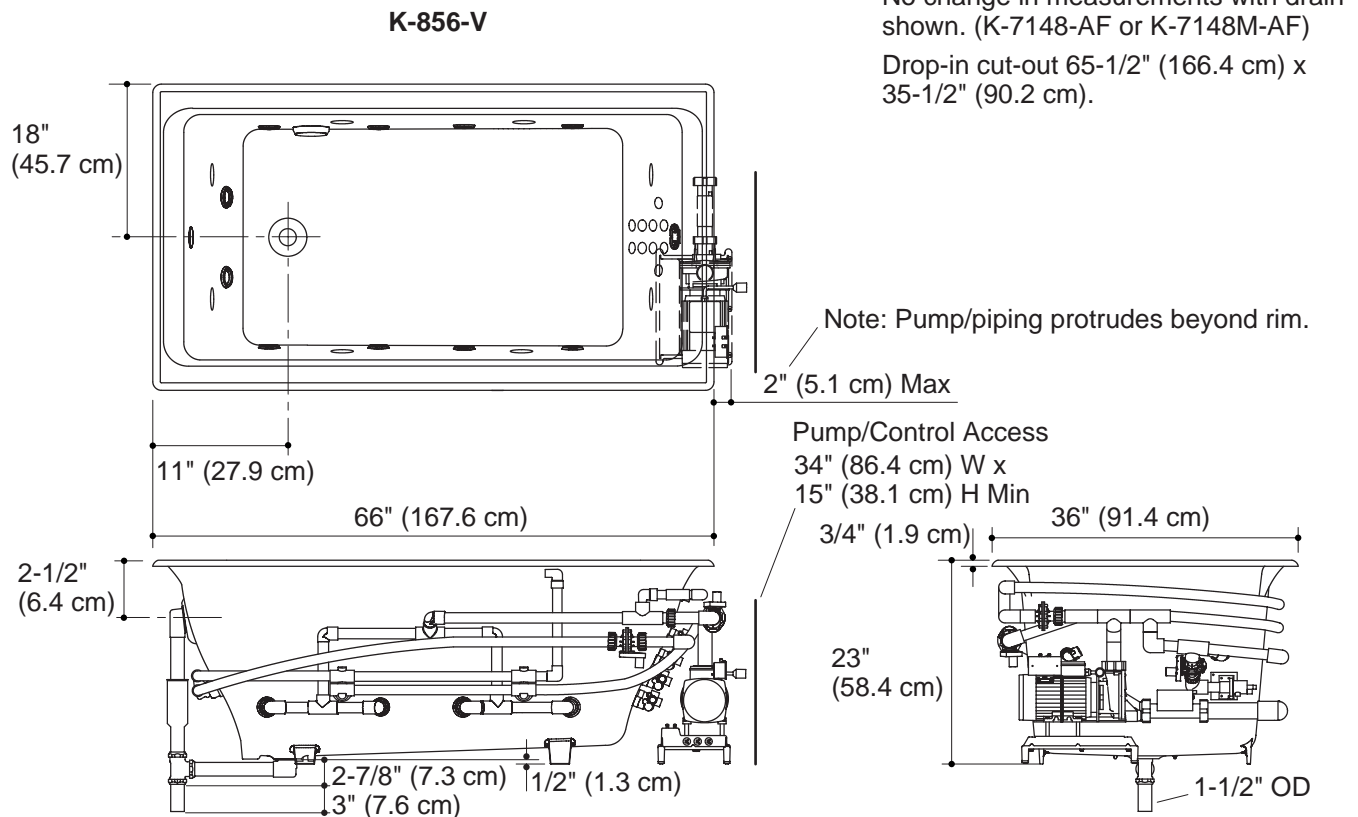
Floor support under whirlpool must provide for a minimum of 2000 lbs./square foot (907.2 kg/square meter) loading.

Cast iron whirlpools are extremely heavy, making some drop-in installations difficult. Splitting the deck/surround is recommended if installing into a deck.

A pump/control access panel is required.

Pump/piping protrudes beyond the rim (see below).

Hot water supply should be 70% of the water capacity or greater. Installations will vary.



## Product Diagram