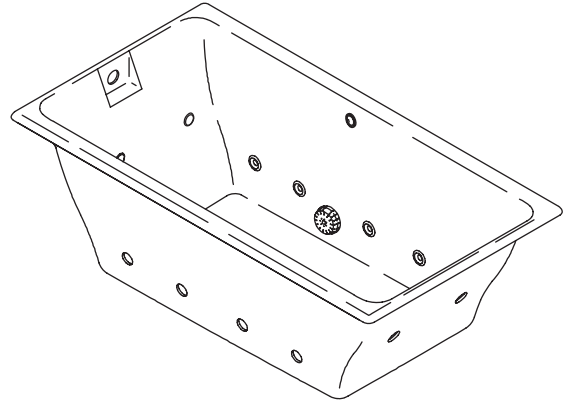


Features

- Cast iron with Safeguard® finish
- 1.5 hp variable speed pump with 1.5 kW heater, and back-lit user control
- 8 effervescence ports
- 4 chromatherapy lights
- Color-matched jet trim included
- 66" (167.6 cm) x 36" (91.4 cm) x 24" (61 cm)

5.5' BATH WHIRLPOOL WITH RELAX EXPERIENCE K-856-CT



Codes/Standards Applicable

Specified model meets or exceeds the following:

- IAPMO/UPC
- Underwriter's Laboratories (UL)
- ASME A112.19.1M
- ASME A112.19.7M

Colors/Finishes

- 0: White
- Other: Refer to Price Book for additional colors/finishes

Accessories:

- CP: Polished Chrome
- PB: Polished Brass
- Other: Refer to Price Book for additional colors/finishes
- NA: None applicable

Specified Model

Model	Description	Colors/Finishes		
K-856-CT	Bath whirlpool with Relax Experience	<input type="checkbox"/> 0	<input type="checkbox"/> Other_____	
Required Accessory				
K-7147-AF	Drain	<input type="checkbox"/> CP	<input type="checkbox"/> PB	<input type="checkbox"/> Other_____
Optional Accessories				
K-587	Undermount installation kit			<input type="checkbox"/> NA
K-1491	Pillow	<input type="checkbox"/> 0		<input type="checkbox"/> Other_____
K-1601	Footstop	<input type="checkbox"/> 0		<input type="checkbox"/> Other_____

Product Specification:

The bath whirlpool shall be 66" (167.6 cm) in length, 36" (91.4 cm) in width, and 24" (61 cm) in height. Bath whirlpool shall be made of cast iron with Safeguard® finish. Bath whirlpool shall have 8 effervescence ports, 4 chromatherapy lights, and color-matched jet trim. Bath shall have a 1.5 hp variable speed pump with 1.5 kW heater, and back-lit user control. Bath whirlpool shall be Kohler Model K-856-CT-_____.

TEA-FOR-TWO™

Technical Information

Fixture*:	
Weight	510 lbs (231.3 kg)
Bathing well:	
Basin area	46" (116.8 cm) x 25" (63.5 cm)
Top area	58" (147.3 cm) x 29" (73.7 cm)
To overflow:	
Water depth	19-1/2" (49.5 cm)
Capacity	105 gal (397.5 L)
* Approximate measurements for comparison only.	

Pump	Heater	V	A*
1.5 hp	1.5 kW	240	11
* Approximate measurements for comparison only.			

Required Electrical Service

Dedicated circuit required, protected with Class A Ground-Fault Circuit-Interrupter (GFCI) or Earth-Leakage Circuit-Breaker (ELCB):

Pump/control 208-240 V, 20 A, 50/60 Hz

Installation Notes

Install this product according to the installation guide.

Floor support under whirlpool must provide for a minimum of 2000 lbs (907.2 kg).

Cast iron whirlpools are extremely heavy, making some drop-in installations difficult. Splitting the deck/surround is recommended if installing into a deck.

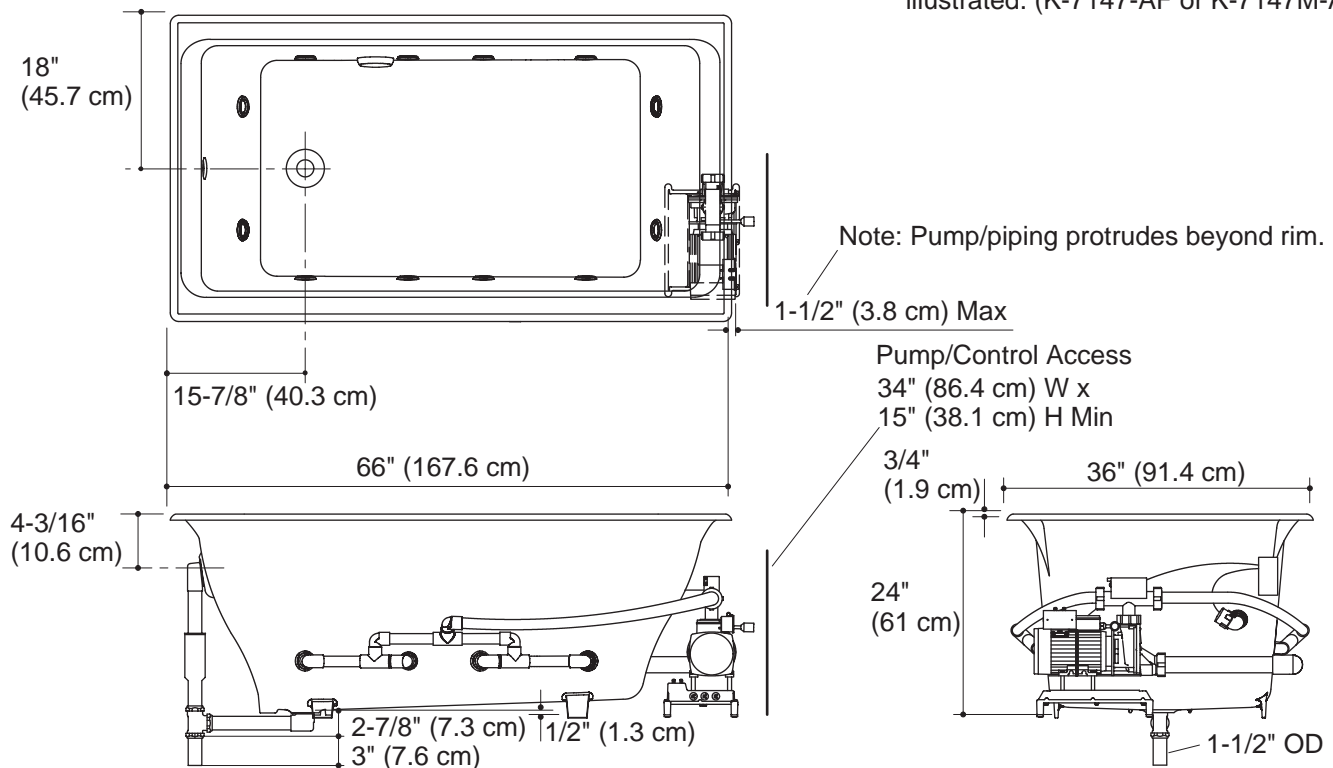
A pump/control access panel is required.

The drop-in cut-out dimension should be 65-1/2" (166.3 cm) x 35-1/2" (90.1 cm) maximum.

Pump/piping protrudes beyond rim (see below).

Hot water supply should be 70% of capacity or greater. Installations will vary.

No change in measurements with drain illustrated. (K-7147-AF or K-7147M-AF)



Product Diagram

TEA-FOR-TWO™ 5.5' BATH WHIRLPOOL WITH RELAX EXPERIENCE

Page 2 of 2
1023269-4-F

THE BOLD LOOK
OF **KOHLER**®