

PORTRAIT® 5.5' BUBBLEMASSAGE™

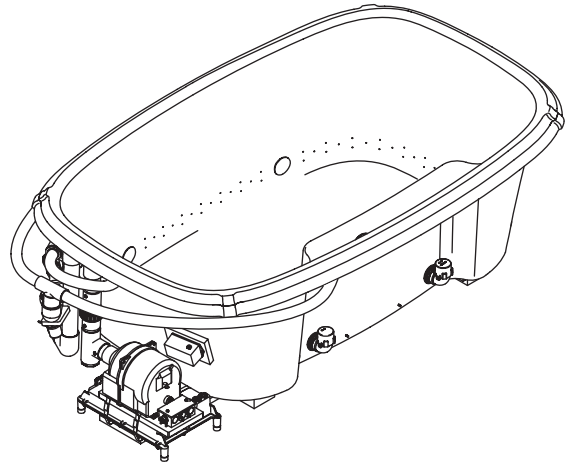
Features

- Acrylic
- 1 hp blower motor with 300 W heater, and electronic back-lit user control
- UL listed
- 122 BubbleMassage™ airjets
- With Zones of Control™ feature
- Coordinating Portrait® Suite
- 67" (170.2 cm) x 42" (106.7 cm) x 22" (55.9 cm)

BATH WITH AIRJETS

K-1457-G

ALSO K-1457-GCR



Codes/Standards Applicable

Specified model meets or exceeds the following:

- ANSI Z124.1
- IAPMO/UPC IGC 171
- Underwriter's Laboratories (UL)
- CSA International
- ASME A112.19.7M

Colors/Finishes

- 0: White
- Other: Refer to Price Book for additional colors/finishes

Accessories:

- CP: Polished Chrome
- PB: Polished Brass
- Other: Refer to Price Book for additional colors/finishes

Specified Model

Model	Description	Colors/Finishes		
K-1457-G	BubbleMassage Bath	<input type="checkbox"/> 0 White	<input type="checkbox"/> Other _____	
K-1457-GCR	BubbleMassage Bath with chromatherapy	<input type="checkbox"/> 0 White	<input type="checkbox"/> Other _____	
Recommended Accessories				
K-7161-AF	Drain	<input type="checkbox"/> CP	<input type="checkbox"/> PB	<input type="checkbox"/> Other _____
Optional Accessories				
K-1705	Remote control	N/A		
K-1601	Footstop	<input type="checkbox"/> 0 White	<input type="checkbox"/> Other _____	
K-1491	Pillow	<input type="checkbox"/> 0 White	<input type="checkbox"/> Other _____	
K-9498	3" (7.6 cm) whirlpool keypad trim	<input type="checkbox"/> CP	<input type="checkbox"/> PB	<input type="checkbox"/> Other _____

Product Specification:

The BubbleMassage bath shall be 67" (170.2 cm) in length, 42" (106.7 cm) in width, and 22" (55.9 cm) in height. Bath shall be made of acrylic. Bath shall have a 1 hp blower motor and back-lit user control. Bath shall have zones of control and 122 BubbleMassage airjets. Bath shall be UL listed. Bath shall be Kohler Model K-1457-G____-_____.

PORTRAIT® 5.5' BUBBLEMASSAGE™

Technical Information

Fixture*:	basin area	top area	weight
Bathing well	50" (127 cm) x 29" (73.7 cm)	61" (154.9 cm) x 32" (81.3 cm)	128 lbs (58.1 kg)
	water depth	capacity	
To overflow	16" (40.6 cm)	100 gal (378.5 L)	
* Approximate measurements for comparison only.			

Blower motor / control:	Heater	Voltage	Frequency	Amperage
1 Hp	300 W	220-240 V	50/60 Hz	3 A

Cut-out template	113311-7
------------------	----------

Required Electrical Service

Dedicated circuit required, protected with Class A Ground-Fault Circuit-Interrupter (GFCI) or Earth-Leakage Circuit-Breaker (ELCB):	
Blower motor/control	220-240 V, 15 A, 50/60 Hz

Installation Notes

The blower motor and piping protrude beyond the rim.

Install this product according to the installation guide.

Floor support under bath must provide for a minimum of 1800 lbs (816.5 kg).

Hot water supply should be 70% of capacity or greater. Installations will vary.

If installing a rim mount faucet, make sure there is no interference with drain overflow and circulating system before drilling any holes. Consult local and national codes for minimum air gap requirements if installing a spout on the faucet deck.

This bath is designed for drop-in installation only. It is not suited for use in a three wall alcove with an overhead shower.

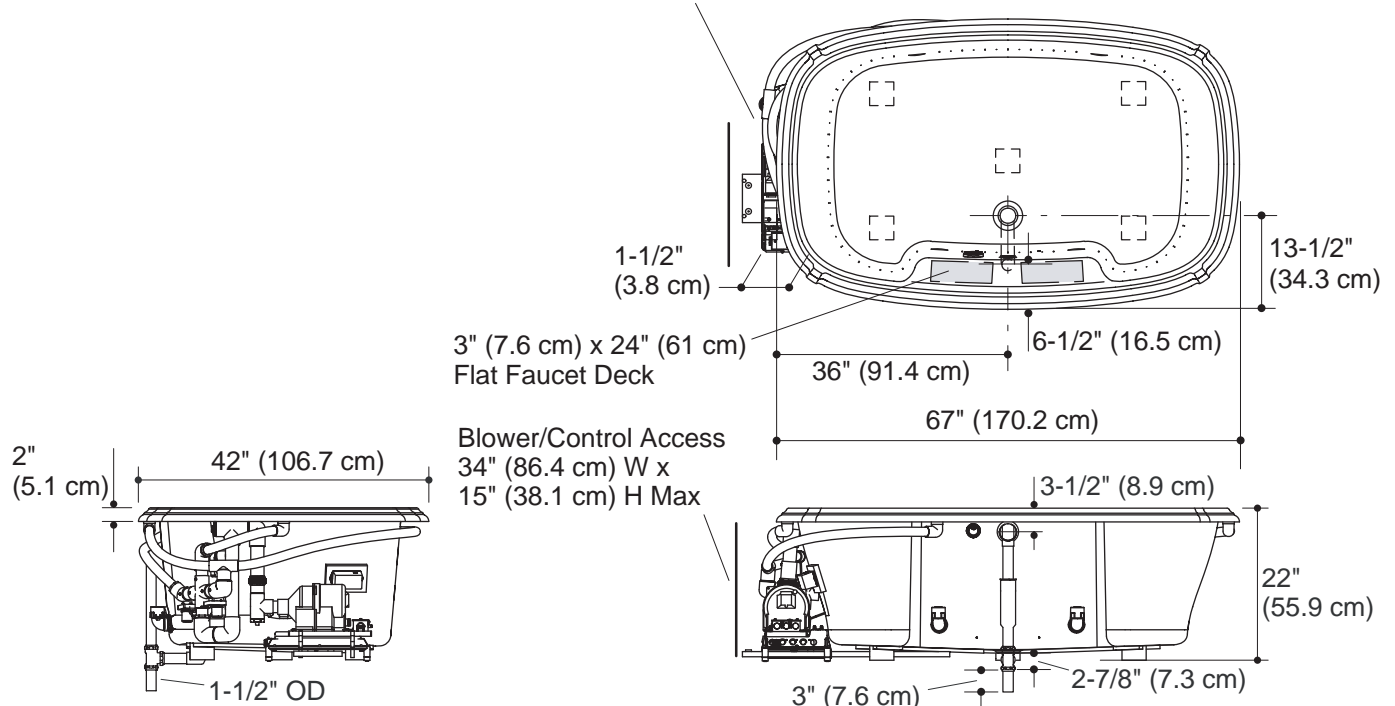
A blower motor/control access panel is required.

No change in measurements with drain shown. (K-7161-AF or K-7161M-AF)

█ Recommended faucet area.

K-1457-GCR

Note: The blower and piping protrude beyond the rim.



Product Diagram