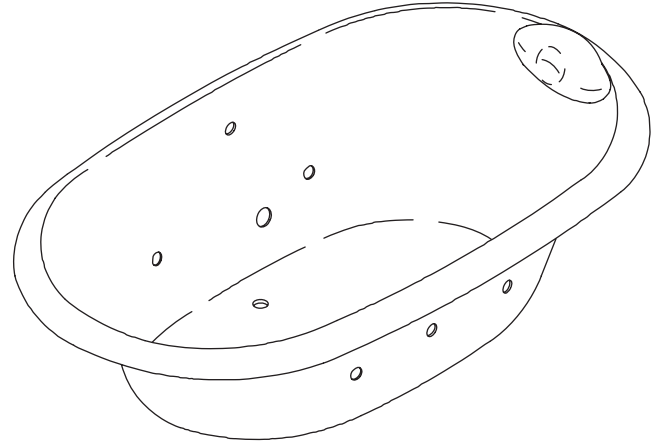


Features

- Cast iron with Safeguard® finish
- 5 Flexjets
- UL listed
- Less all trim
- N1 models - 2 hp variable speed pump with 1.5 kW heater
- H2 models - 1.5 hp variable speed pump with 1.5 kW heater
- 72" (182.9 cm) x 42" (106.7 cm) x 21-3/16" (53.8 cm)

BATH WHIRLPOOL K-702-H2 ALSO K-702-N1



Codes/Standards Applicable

Specified model meets or exceeds the following:

- Underwriter's Laboratories (UL)
- ASME A112.19.7M
- ASME A112.19.1M
- IAPMO/UPC

Colors/Finishes

- 0: White
- Other: Refer to Price Book for additional colors/finishes

Accessories:

- CP: Polished Chrome
- PB: Polished Brass
- Other: Refer to Price Book for additional colors/finishes

Specified Model

Model	Description	Colors/Finishes	
K-702-H2	Bath whirlpool	<input type="checkbox"/> 0	<input type="checkbox"/> Other_____
K-702-N1	Bath whirlpool with neckjets and pillow (shown)	<input type="checkbox"/> 0	<input type="checkbox"/> Other_____

Required Accessories				
K-9695	Jet trim kit	<input type="checkbox"/> CP	<input type="checkbox"/> PB	<input type="checkbox"/> Other_____
Recommended Accessories				
K-7158	Drain	<input type="checkbox"/> CP	<input type="checkbox"/> PB	<input type="checkbox"/> Other_____
Optional Accessories				
K-1491	Pillow	<input type="checkbox"/> 0	<input type="checkbox"/> Other_____	
K-1601	Footstop	<input type="checkbox"/> 0	<input type="checkbox"/> Other_____	
K-1172	Adjustable feet			<input type="checkbox"/> NA

Product Specification

The bath whirlpool shall be 72" (182.9 cm) in length, 42" (106.7 cm) in width, and 21-3/16" (53.8 cm) in height. Bath whirlpool shall be made of cast iron with Safeguard finish. K-702-N1 bath whirlpool shall have 5 Flexjets, 2 hp variable speed pump, 1.5 kW heater, back-lit user control, and pulsating neckjets with pillow. K-702-H2 bath whirlpool shall have 5 Flexjets, 1.5 hp variable speed pump, 1.5 kW heater, and back-lit user control. Bath whirlpool shall be UL listed. Bath whirlpool shall be less all trim. Bath whirlpool shall be Kohler Model K-702-_____-_____.

VINTAGE™

Technical Information

Fixture*:	Basin area	Top area	Weight
Bathing well	44" (111.8 cm) x 28" (71.1 cm)	60" (152.4 cm) x 32" (81.3 cm)	555 lbs (251.7 kg)
Water depth (to overflow)	Capacity (to overflow)		
15" (31.8 cm)	82 gal (310.4 L)		
* Approximate measurements for comparison only.			

Product	Pump	Heater	V	A*
Neckjets	2 hp	1.5 kW	240	15
Without neckjets	1.5 hp	1.5 kW	240	11
* Approximate measurements for comparison only.				

Drop-in cut-out	70-1/2" (179.1 cm) x 40-1/2" (102.9 cm)		
Cut-out template	106594-7		
Minimum access panel (required):			
Pump/control	34" (86.4 cm) W x 15" (38.1 cm) H		

Required Electrical Service

Dedicated circuit required, protected with Class A Ground-Fault Circuit-Interrupter (GFCI) or Earth-Leakage Circuit-Breaker (ELCB):	
Pump/control	208-240 V, 20 A, 50/60 Hz

Installation Notes

NOTE: Pump protrusion beyond rim.

Install this product according to the installation guide.

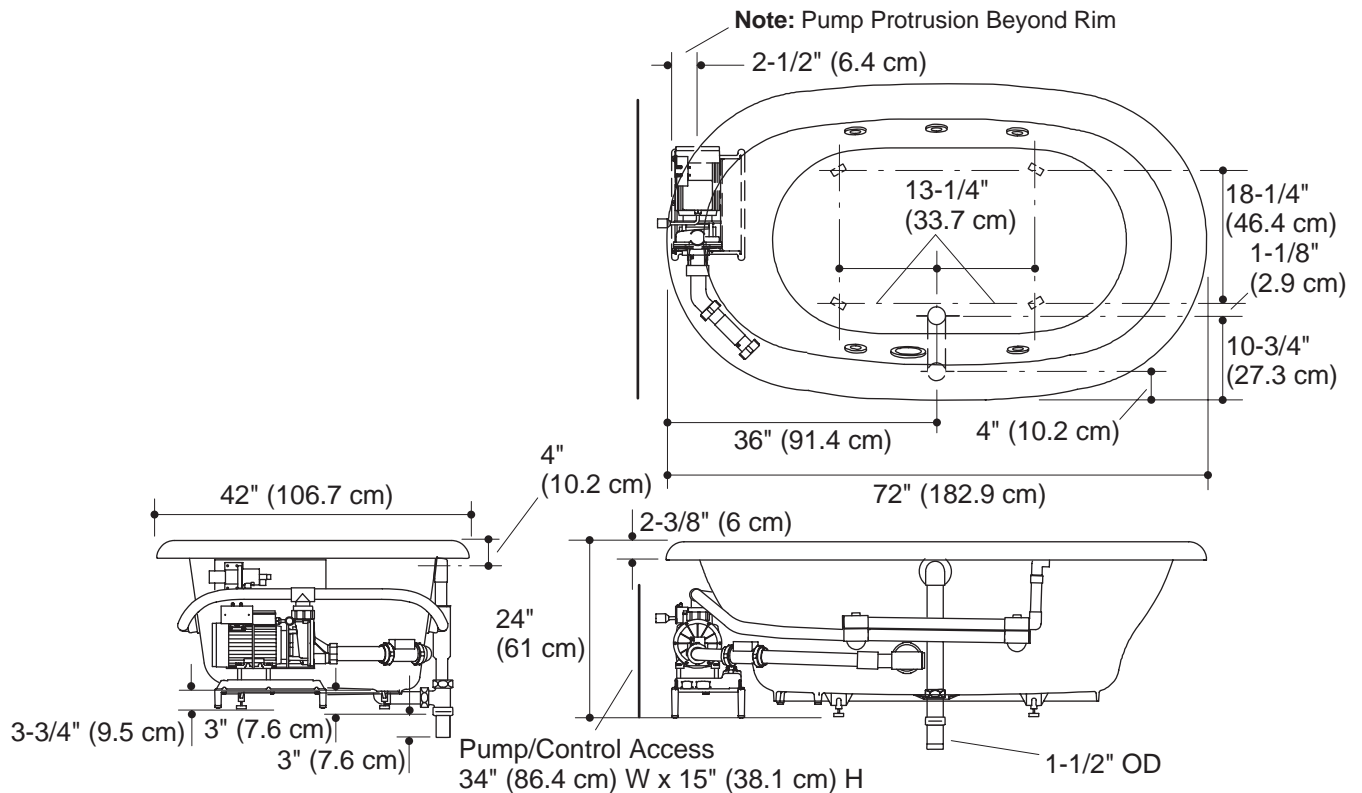
Floor support under whirlpool must provide for a minimum of 2000 lbs (907.2 kg) loading.

Hot water supply should be 70% of capacity or greater. Installations will vary.

Cast iron whirlpools are extremely heavy, making some drop-in installations difficult. Splitting the deck/surround is recommended if installing into a deck.

No change in measurements if connected with drain illustrated. (K-7158 or K-7158M)

K-702-N1



Product Diagram