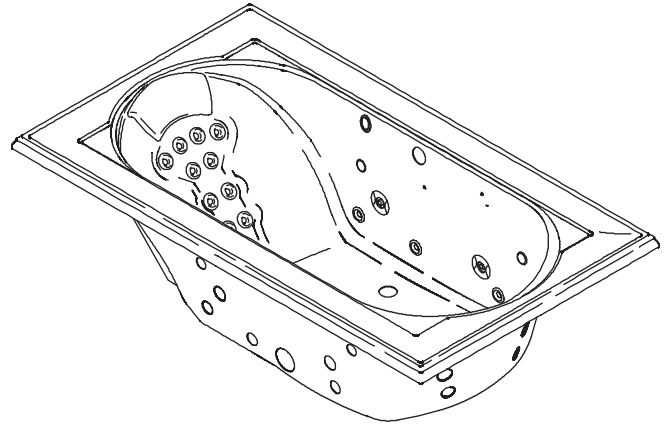


Features

- Acrylic
- 2 hp variable speed pump with 1.5 kW heater, back-lit user keypad and remote control
- 6 Flexjets™
- Ten color-matched sequencing Bodyssage™ backjets
- Two pulsating neckjets with pillow
- 8 effervescence ports
- 4 chromatherapy lights
- 240 V, 20 A electrical service
- Color-matched jet trim included
- Coordinating Memoirs® Suite
- Drilled for K-9653 grip rails (required)
- 72" (182.9 cm) x 42" (106.7 cm) x 22" (55.9 cm)

6' EXPERIENCE BATH WHIRLPOOL WITH SPA/MASSAGE PACKAGE K-1418-V



Codes/Standards Applicable

Specified model meets or exceeds the following:

- ANSI Z124.1
- IAPMO/UPC
- Underwriter's Laboratories (UL)
- ASME A112.19.7M

Colors/Finishes

- 0: White
- Other: Refer to Price Book for additional colors/finishes

Accessories:

- CP: Polished Chrome
- PB: Polished Brass
- Other: Refer to Price Book for additional colors/finishes

Specified Model

Model	Description	Colors/Finishes		
K-1418-V	Bath whirlpool with Massage Package	<input type="checkbox"/> 0 White	<input type="checkbox"/> Other_____	
Required Accessories				
K-9653	Grip rails (pair)	<input type="checkbox"/> CP	<input type="checkbox"/> PB	<input type="checkbox"/> Other_____
Recommended Accessory				
K-7161-AF	Drain	<input type="checkbox"/> CP	<input type="checkbox"/> PB	<input type="checkbox"/> Other_____
Optional Accessories				
K-1601	Footstop	<input type="checkbox"/> 0 White	<input type="checkbox"/> Other_____	

Product Specification:

The bath whirlpool shall be 72" (182.9 cm) in length, 42" (106.7 cm) in width, and 22" (55.9 cm) in height. Bath whirlpool shall be made of acrylic. Bath whirlpool shall have 6 Flexjets, 8 effervescence ports, 4 chromatherapy lights, 2 hp variable speed pump, 1.5 kW heater, back-lit user keypad and remote control. Bath whirlpool shall have 10 color-matched sequencing Bodyssage backjets and 2 pulsating neckjets with pillow. Bath whirlpool shall be UL listed. Bath whirlpool shall be drilled for K-9653 grip rails (required). Bath whirlpool shall coordinate with Memoirs® Suite. Bath whirlpool shall be Kohler Model K-1418-V-_____.

MEMOIRS®

Technical Information

Fixture*:	basin area	top area	weight
Bathing well	42" (106.7 cm) x 27" (68.6 cm)	60" (152.4 cm) x 30" (76.2 cm)	140 lbs (64 kg)
	water depth	capacity	
To overflow	16" (40.6 cm)	86 gal (326 L)	

* Approximate measurements for comparison only.

Pump	Heater	V	A*
2 hp	1.5 kW	240	15

* Approximate measurements for comparison only.

No change in measurements if connected with drain illustrated. (K-7161-AF or K-7161M-AF)

Drop-in cut-out	70-1/2" (179.1 cm) x 40-1/2" (102.9 cm)	
Minimum access panel:		
Pump/control	34" (86.4 cm) W x 15" (38.1 cm) H	required

Required Electrical Service

Dedicated circuit required, protected with Class A Ground-Fault Circuit-Interrupter (GFCI) or Earth-Leakage Circuit-Breaker (ELCB):

Pump/control 208-240 V, 20 A, 50/60 Hz

Installation Notes

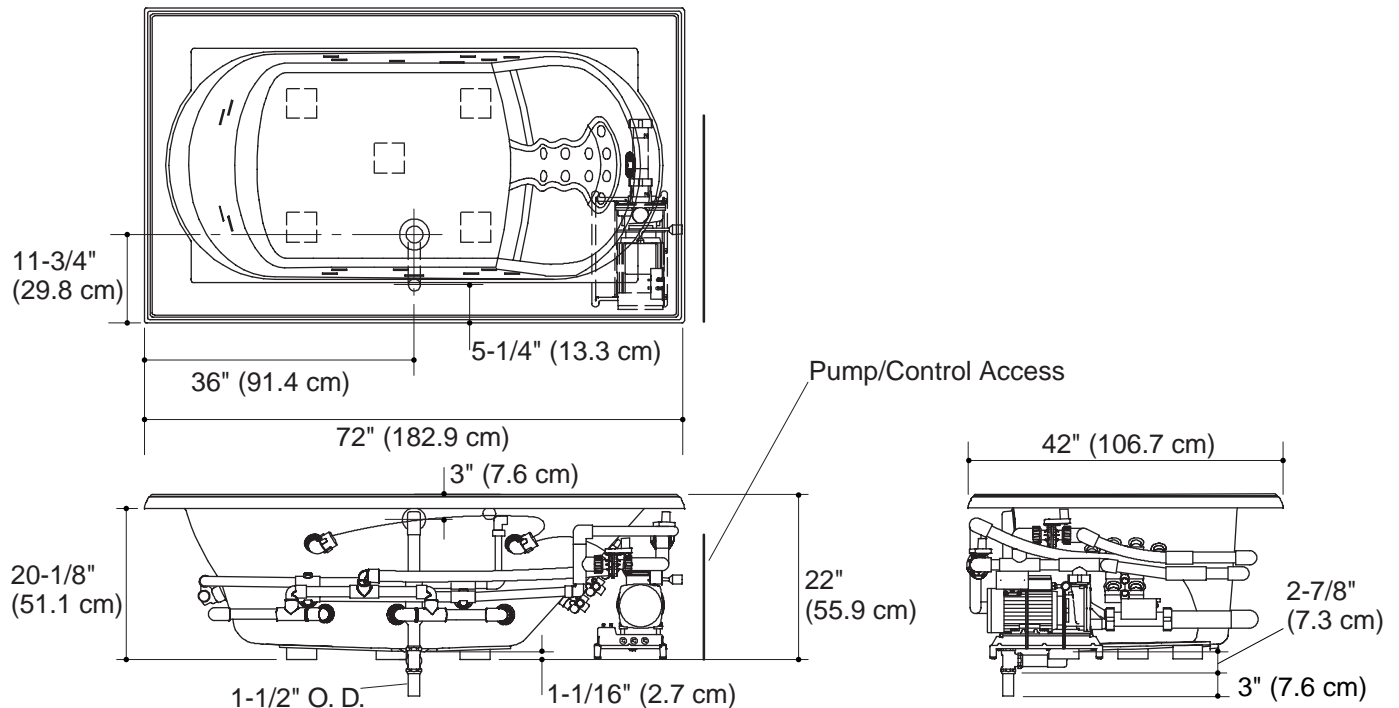
Install this product according to the installation guide.

Floor support under whirlpool must provide for a minimum of 1600 lbs (725.7 kg)

Hot water supply should be 70% of capacity or greater. Installations will vary.

If installing a rim mount faucet, make sure there is no interference with drain overflow and circulating system before drilling any holes. Consult local and national codes for minimum air gap requirements if installing a spout on the faucet deck.

This whirlpool is designed for drop-in installation only. It is not suited for use in a three wall alcove with an overhead shower.



Product Diagram