

Features

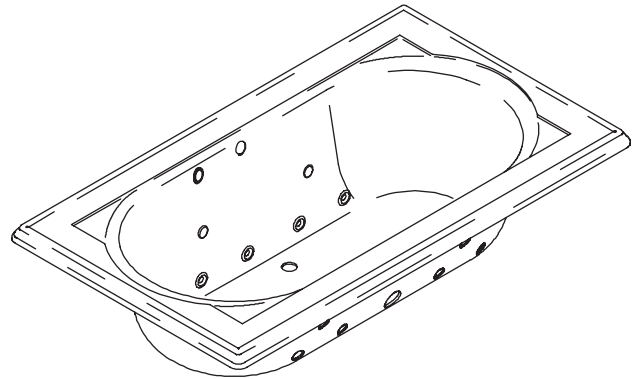
- Acrylic
- 1.5 hp variable-speed pump with 1.5 kW heater, back-lit user keypad, and remote control
- 8 effervescent ports
- 4 chromatherapy lights
- 240 V, 20 A electrical service
- Color-matched jet trim included
- Complements Memoirs® Suite
- 72" (182.9 cm) x 42" (106.7 cm) x 22" (55.9 cm)

Codes/Standards Applicable

Specified model meets or exceeds the following:

- ANSI Z124.1.2
- ASME A112.19.7M
- IAPMO/UPC
- Underwriters Laboratories (UL)

6' BATH WHIRLPOOL WITH RELAX EXPERIENCE K-1418-CT



Colors/Finishes

- 0: White
- Other: Refer to Price Book for additional colors/finishes

Accessories

- 0: White
- CP: Polished Chrome
- PB: Vibrant® Polished Brass
- Other: Refer to Price Book for additional colors/finishes

Specified Model

Model	Description	Colors/Finishes		
K-1418-CT	Bath whirlpool with relax experience	<input type="checkbox"/> 0	<input type="checkbox"/> Other_____	
Recommended Accessories				
K-7161-AF	Pop-up drain	<input type="checkbox"/> CP	<input type="checkbox"/> PB	<input type="checkbox"/> Other_____
Optional Accessories				
K-1491	Pillow	<input type="checkbox"/> 0	<input type="checkbox"/> Other_____	
K-1601	Footstop	<input type="checkbox"/> 0	<input type="checkbox"/> Other_____	

Product Specification

The acrylic bath whirlpool shall be 72" (182.9 cm) in length, 42" (106.7 cm) in width, and 22" (55.9 cm) in height. The bath whirlpool shall have 240 V, 20 A electrical service and shall include color-matched jet trim. The bath whirlpool shall have 8 effervescent ports, 4 chromatherapy lights, a 1.5 hp variable-speed pump, a 1.5 kW heater, a back-lit user keypad, and remote control. The bath whirlpool shall complement the Memoirs® Suite. The bath whirlpool shall be Kohler Model K-1418-CT-_____.

MEMOIRS®

Technical Information

Fixture*:	
Basin area:	
Bathing well	48" (121.9 cm) x 27" (68.6 cm)
Top area	60" (152.4 cm) x 30" (76.2 cm)
To overflow:	
Water depth	16" (40.6 cm)
Capacity	94 gal (355.8 L)
Weight	140 lbs (63.5 kg)
Drop-in cut-out	70-1/2" (179.1 cm) x 40-1/2" (102.9 cm)
* Approximate measurements for comparison only.	

Pump:	Hp	kW	V	Hz	A
Variable-speed	1.5	1.5	240	50/60	11

Required Electrical Service

Dedicated circuit required, protected with Class A Ground-Fault Circuit-Interrupter (GFCI) or Earth-Leakage Circuit-Breaker (ELCB):

Pump/control 220/240 V, 20 A, 50/60 Hz

Installation Notes

Install this product according to the installation guide.

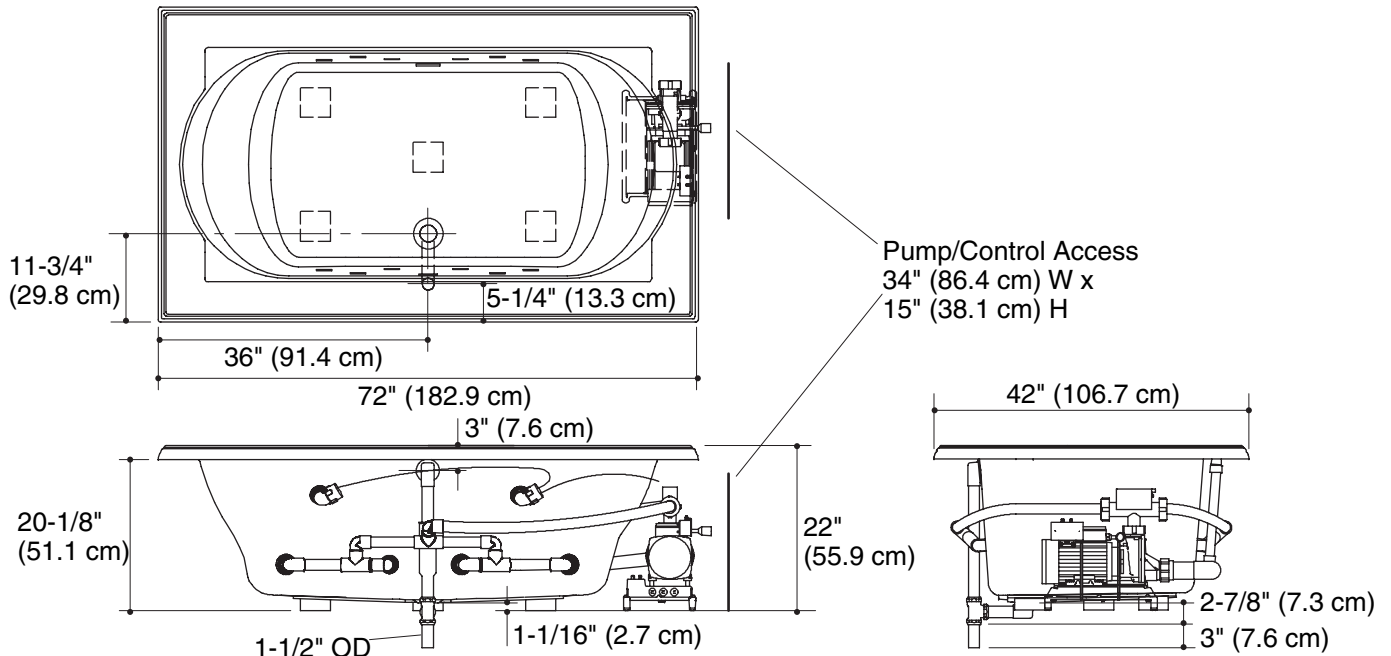
Floor support under whirlpool must provide for a minimum of 45 lbs/square foot (221 kg/square meter) loading.

Hot water supply should be 70% of capacity or greater. Installations will vary.

If installing a rim-mount faucet, make sure there is no interference with drain overflow and circulating system before drilling any holes. Consult local and national codes for minimum air gap requirements if installing a spout on the faucet deck.

This whirlpool is designed for drop-in installation only. It is not suited for use in a three-wall alcove with an overhead shower.

No change in measurements if connected with drain illustrated. (K-7161-AF or K-7161M-AF)



Product Diagram