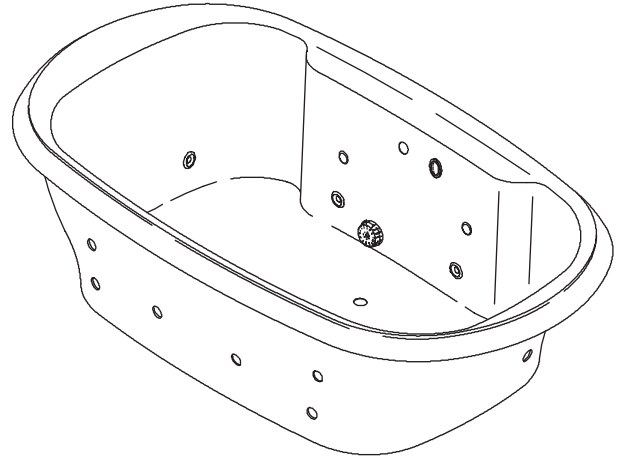


### Features

- Acrylic
- 1.5 hp variable speed pump with 1.5 kW heater, back-lit user keypad, and remote control
- 8 effervescence ports
- 4 chromatherapy lights
- 240 V, 20 A electrical service
- UL listed
- Color-matched jet trim included
- Coordinating Revival® Suite
- 72" (182.9 cm) x 42" (106.7 cm) x 22" (55.9 cm)

### 6' EXPERIENCE BATH WHIRLPOOL WITH RELAX PACKAGE K-1375-CT



### Codes/Standards Applicable

Specified model meets or exceeds the following:

- ANSI Z124.1
- IAPMO/UPC
- Underwriter's Laboratories (UL)
- ASME A112.19.7M

### Colors/Finishes

- 0: White
- Other: Refer to Price Book for additional colors/finishes

### Accessories:

- CP: Polished Chrome
- PB: Polished Brass
- Other: Refer to Price Book for additional colors/finishes

### Specified Model

Model	Description	Colors/Finishes		
K-1375-CT	Bath whirlpool with Relax Package	<input type="checkbox"/> 0 White	<input type="checkbox"/> Other_____	
<b>Recommended Accessory</b>				
K-7161-AF	Drain	<input type="checkbox"/> CP	<input type="checkbox"/> PB	<input type="checkbox"/> Other_____
K-16122	Revival® faucet <b>OR</b>	<input type="checkbox"/> CP	<input type="checkbox"/> PB	<input type="checkbox"/> Other_____
K-15880-K	Coralais® base faucet (requires handle kit) <b>OR</b>	<input type="checkbox"/> CP	<input type="checkbox"/> PB	<input type="checkbox"/> Other_____
K-15881-K	Coralais® base faucet (requires handle kit)	<input type="checkbox"/> CP	<input type="checkbox"/> PB	<input type="checkbox"/> Other_____
<b>Optional Accessories</b>				
K-1491	Pillow	<input type="checkbox"/> 0 White	<input type="checkbox"/> Other_____	
K-1601	Footstop	<input type="checkbox"/> 0 White	<input type="checkbox"/> Other_____	

### Product Specification:

The bath whirlpool shall be 72" (182.9 cm) in length, 42" (106.7 cm) in width, and 22" (55.9 cm) in height. Bath whirlpool shall be made of acrylic. Bath whirlpool shall have 8 effervescence ports, 4 chromatherapy lights, 1.5 hp variable speed pump, 1.5 kW heater, back-lit user keypad and remote control. Bath whirlpool shall be UL listed. Bath whirlpool shall coordinate with Revival® Suite. Bath whirlpool shall be Kohler Model K-1375-CT-\_\_\_\_\_.

# REVIVAL®

## Technical Information

Fixture*:	basin area	top area	weight
Bathing well	50" (127 cm) x 29" (73.7 cm)	61" (154.9 cm) x 32" (81.3 cm)	135 lbs (61 kg)
	water depth	capacity	
To overflow	16" (40.6 cm)	100 gal (378.5 L)	

\* Approximate measurements for comparison only.

Pump	Heater	Voltage	Frequency	Amperage
1.5 Hp	1.5 kW	240 V	50/60 Hz	11 A

No change in measurements if connected with drain illustrated. (K-7161-AF or K-7161M-AF)

Cut-out template		113311-7
Minimum access panel:		
Pump/control	34" (86.4 cm) W x 15" (38.1 cm) H	required
Faucet area		recommended

## Required Electrical Service

Dedicated circuit required, protected with Class A Ground-Fault Circuit-Interrupter (GFCI) or Earth-Leakage Circuit-Breaker (ELCB):

Pump/control 220-240 V, 20 A, 50/60 Hz

## Installation Notes

The pump and piping protrude beyond the rim.

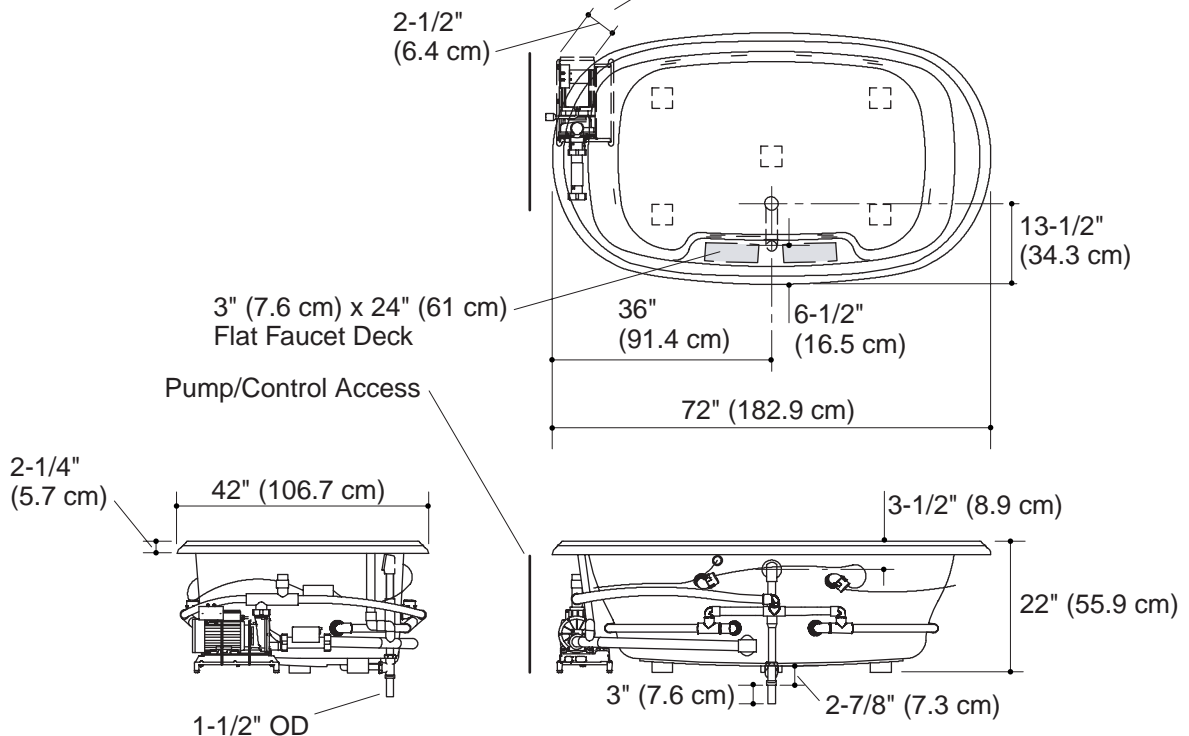
Install this product according to the installation guide.

Floor support under whirlpool must provide for a minimum of 1850 lbs (839.1 kg).

Hot water supply should be 70% of capacity or greater. Installations will vary.

If installing a rim mount faucet, make sure there is no interference with drain overflow and circulating system before drilling any holes. Consult local and national codes for minimum air gap requirements if installing a spout on the faucet deck.

**Note:** The pump and piping protrude beyond the rim.



## Product Diagram