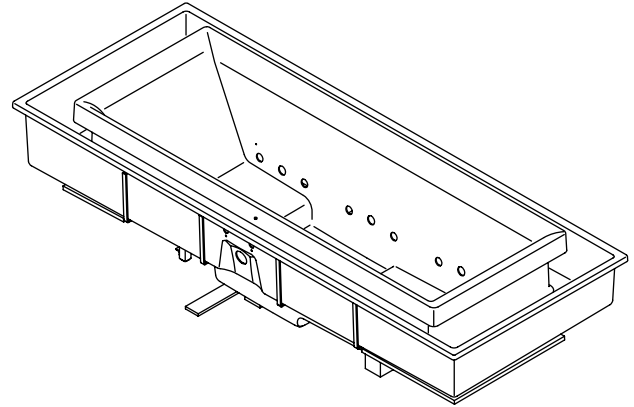


## Features

- Acrylic bathing well with fiberglass (FRP) overflow channel
- Two-person bathing
- Two raised molded seats
- Cascading water over rim
- Effervescent bubbles with 13 ports
- 4 kW 240 V heater
- Quiet 240 V pump with automatic shutdown
- With optional chromatherapy package
- Adjustable bath leveling system
- Center drain outlet
- Interior rim: 84" (213.4 cm) x 31-1/2" (80 cm) x 24" (61 cm) deep
- Interior base: 60" (152.4 cm) x 25-1/2" (64.8 cm)
- Overall dimensions: 103-3/4" (263.5 cm) x 41" (104.1 cm) x 26" (66 cm)

## OVERFLOWING BATH K-1166-C1 ALSO K-1166-RE



## Codes/Standards Applicable

Specified model meets or exceeds the following:

- ASME A112.19.7M
- IAPMO/UPC
- Underwriter's Laboratories (UL)
- ANSI Z124.1

## Colors/Finishes

- 0: White
- 96: Biscuit

### Accessories:

- 0: White
- CP: Polished Chrome
- Other: Refer to Price Book for additional colors/finishes

## Specified Model

Model	Description	Colors/Finishes	
K-1166-C1	Overflowing bath with center drain and chromatherapy lights	<input type="checkbox"/> 0	<input type="checkbox"/> 96
K-1166-RE	Overflowing bath with center drain	<input type="checkbox"/> 0	<input type="checkbox"/> 96

Recommended Accessory			
K-7223	Drain	<input type="checkbox"/> CP	<input type="checkbox"/> Other_____

Optional Accessory			
K-1601	Footstop	<input type="checkbox"/> 0	<input type="checkbox"/> Other_____

## Product Specification:

The two person overflowing bath shall be 103-3/4" (263.5 cm) in length, 41" (104.1 cm) in width, and 26" (66 cm) in height. Interior base shall be 60" (152.4 cm) in length and 25-1/2" (64.8 cm) in width. Interior rim shall be 84" (213.4 cm) in height, 31-1/2" (80 cm) in width, and 24" (61 cm) deep. Overflowing bath shall have an acrylic bathing well and fiberglass (FRP) overflow channel. Overflowing bath shall have cascading water over rim and two molded seats. Unit shall have effervescent bubbles with 13 ports. Overflowing bath shall have a 4 kW (240 V) heater, a quiet (240 V) pump, an optional chromatherapy package, an automatic timed shutdown, and an adjustable bath leveling system. Overflowing bath shall have a center drain outlet. Bath shall be Kohler Model K-1166-\_\_\_\_-\_\_\_\_.

## Technical Information

Fixture*:	
Bathing well:	
Basin area bottom	60" (152.4 cm) x 25-1/2" (64.8 cm)
Basin area top	84" (213.4 cm) x 31-1/2" (80 cm)
Weight	375 lbs (170 kg)
To overflow:	
Water depth	24-5/8" (62.5 cm)
Capacity	185 gal (700 L)
* Approximate measurements for comparison only.	
Recommended spouts*:	
Area "A"	K-8359, K-T954-4, K-T6906, K-18486-4, K-922 and K-924, K-923 and K-924
Area "B"	K-922, K-923
* Shaded areas in diagram are recommended installation location. Area "B" is for ceiling mount spouts only.	

## Required Electrical Service (2)

Two dedicated circuits are required, each protected with Class A Ground-Fault Circuit-Interrupter (GFCI) or Earth-Leakage Circuit Breaker (ELCB):

Pump/Control	1.5 hp, 208-240 V, 20 A, 50/60 Hz
Heater	4 kW, 208-240 V, 20 A, 50/60 Hz

## Installation Notes

Install this product according to the installation guide.

Two separate 240 V electrical services are required; one for the pump/control and another for the heater.

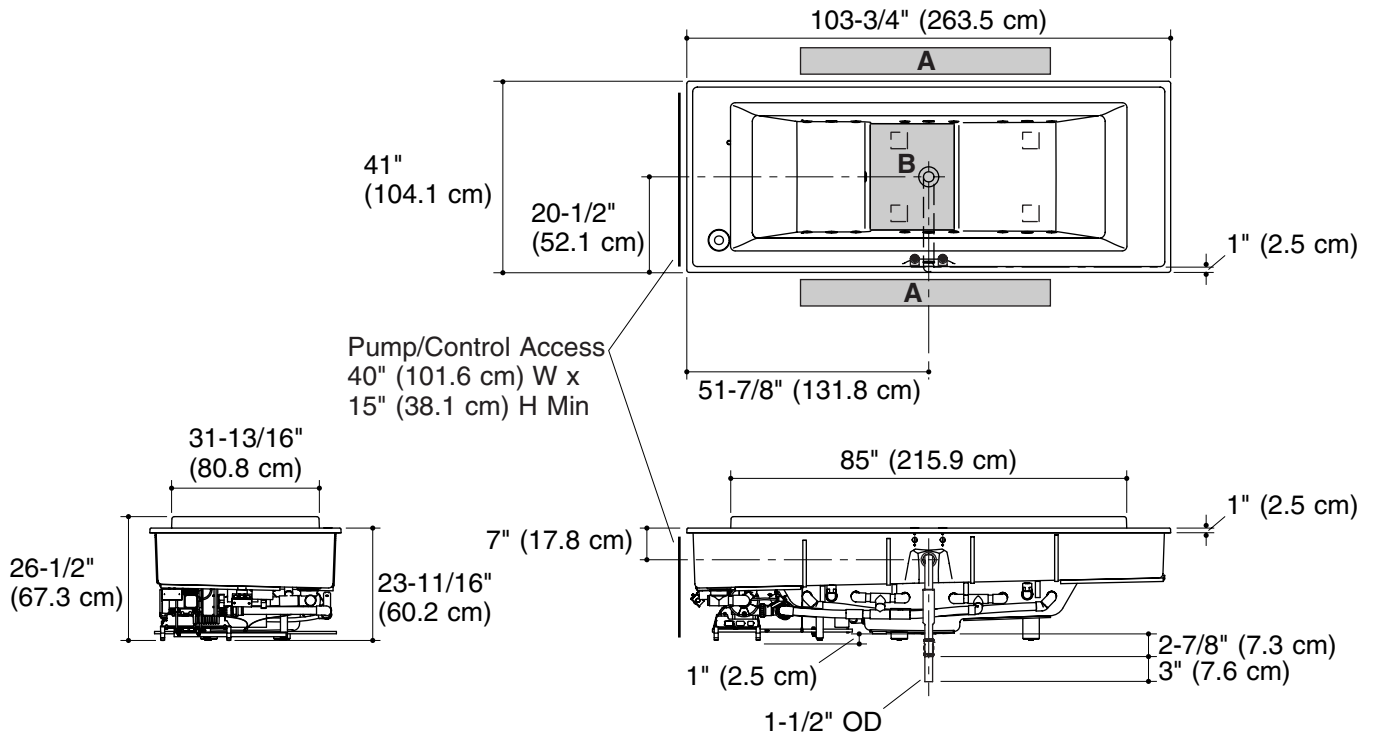
Floor support under the bath must provide for a minimum of 3500 lbs (1588 kg).

Consult local and national codes for minimum air gap requirements when installing a spout on the faucet deck.

The hot water supply should be 70% of the capacity of the bath or greater. Installations will vary.

Unit must be filled through the bathing well.

No change in measurements if connected with drain illustrated. (K-7223 or K-7223M)  
Cut-out: 102-1/4" (259.7 cm) x 40" (101.6 cm)



## Product Diagram