

Product Information

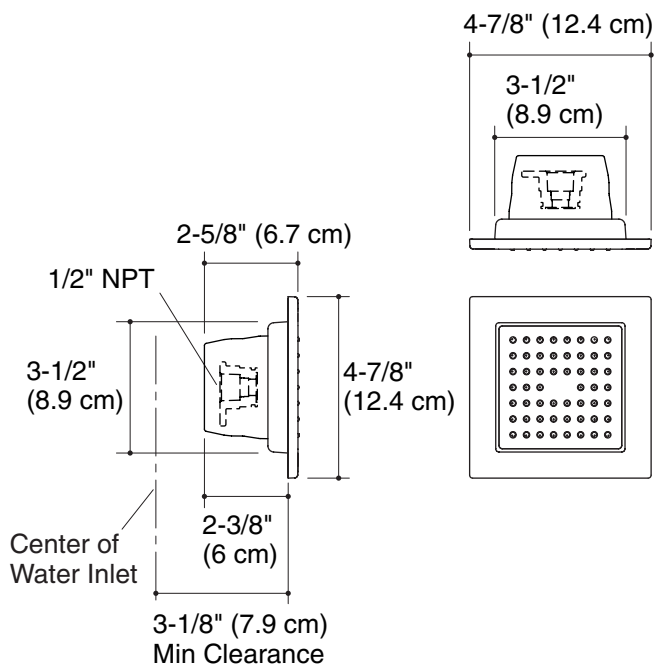
Applicable product:	
54-nozzle bodyspray with soothing spray	K-8002
22-nozzle bodyspray with stimulating spray	K-8003
Cutout dimension:	
4" (10.2 cm) to 4-1/4" (10.8 cm) x	
4" (10.2 cm) to 4-1/4" (10.8 cm) D.	

Installation Notes

Install this product according to the installation guide.

Fixture dimensions are nominal and conform to tolerances in ASME A112.18.1.

K-8002



K-8003

