

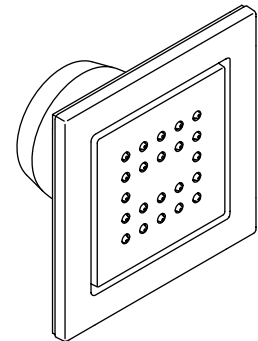
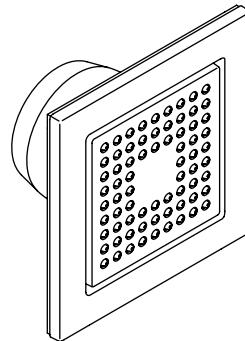
**Features**

- 1/2" NPT connections
- 2.5 gallons (9.5 L) per minute maximum flow rate [at 80 psi (552 kPa)]
- Available as a 54-nozzle with soothing spray [K-8002] or a 22-nozzle with stimulating spray [K-8003]
- Low profile design complements any décor
- Fully adjustable, pivoting MasterClean™ sprayface

**BODYSPRAY**  
**K-8002**  
**ALSO K-8003**

**K-8002**

**K-8003**



**Codes/Standards Applicable**

Specified model meets or exceeds the following:

- ASME A112.18.1/CSA B125.1
- IAPMO/cUPC
- Energy Policy Act of 1992

**Colors/Finishes**

- CP: Polished Chrome
- Other: Refer to Price Book for additional colors/finishes

**Specified Model**

Model	Description	Colors/Finishes	
K-8002	54-nozzle bodyspray with soothing spray	<input type="checkbox"/> CP	<input type="checkbox"/> Other_____
K-8003	22-nozzle bodyspray with stimulating spray	<input type="checkbox"/> CP	<input type="checkbox"/> Other_____

**Product Specification**

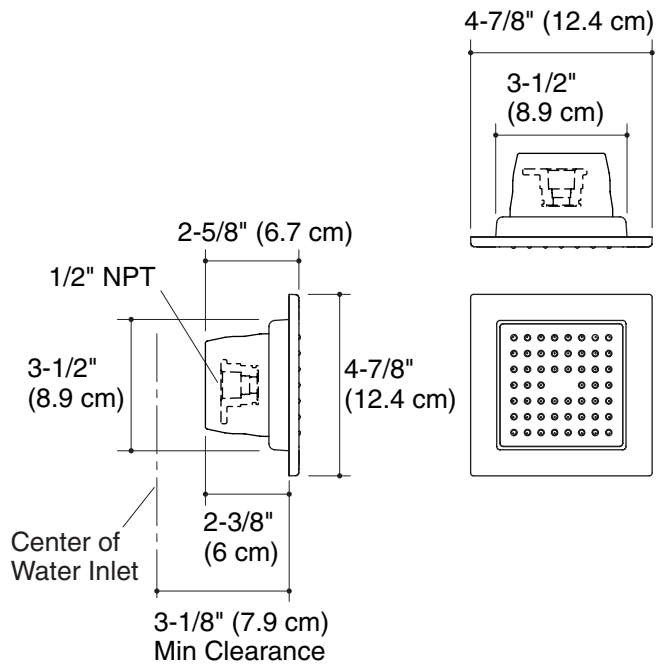
Bodyspray shall be for 1/2" NPT connections. Product shall have a flow rate of 2.5 gallons (9.5 L) per minute maximum at 80 psi (552 kPa). Product shall be available as a 54-nozzle soothing spray [K-8002] or a 22-nozzle stimulating spray [K-8003]. Product shall feature a low profile design which complements any décor. Product shall feature a fully adjustable, pivoting MasterClean sprayface which resists mineral buildup for years of reliable performance. Bodyspray shall be Kohler Model K-\_\_\_\_-\_\_\_\_\_.

# WATERTILE®

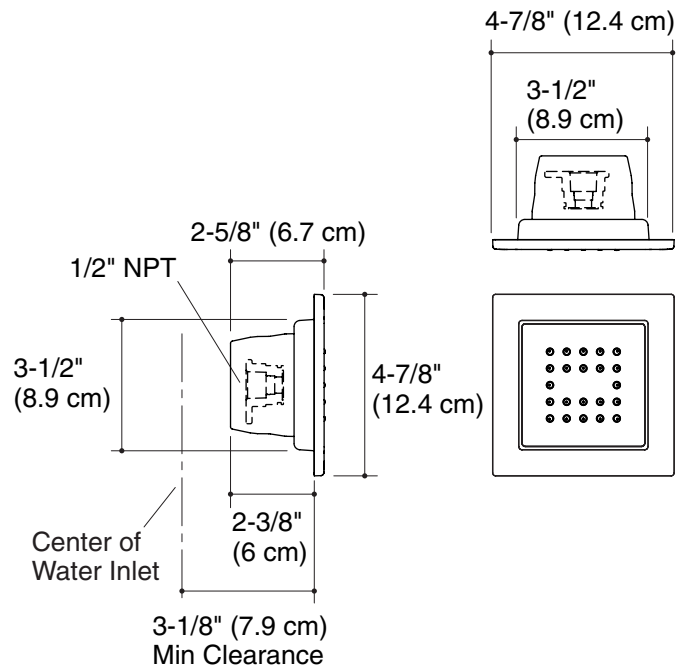
## Installation Notes

Install this product according to the installation guide.

K-8002



K-8003



## Product Diagram