

**HANDSHOWER  
K-973**

ADA

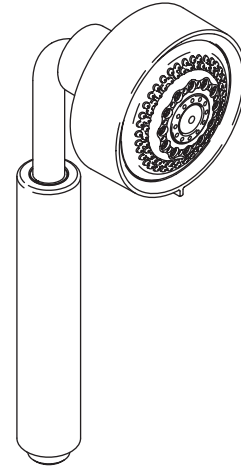
**Features**

- 2.5 gallons (9.5 L) per minute
- Complements Stillness® faucet line
- Wide-coverage, therapeutic massage, soft aerated, and reduced flow spray options

**Codes/Standards Applicable**

Specified model meets or exceeds the following:

- ASME A112.18.1
- IAPMO/UPC
- CSA B125
- ADA




**Colors/Finishes**

- CP: Polished Chrome
- Other: Refer to Price Book for additional colors/finishes

**Accessories:**

**Specified Model**

| Model                     | Description                      | Colors/Finishes   |
|---------------------------|----------------------------------|---|
| K-973                     | Handshower                       | <input type="checkbox"/> CP <input type="checkbox"/> Other ____                       |
| <b>Required Accessory</b> |                                  |  |
| K-9514                    | 60" (152.4 cm) metal shower hose | <input type="checkbox"/> CP   |

**Product Specification**

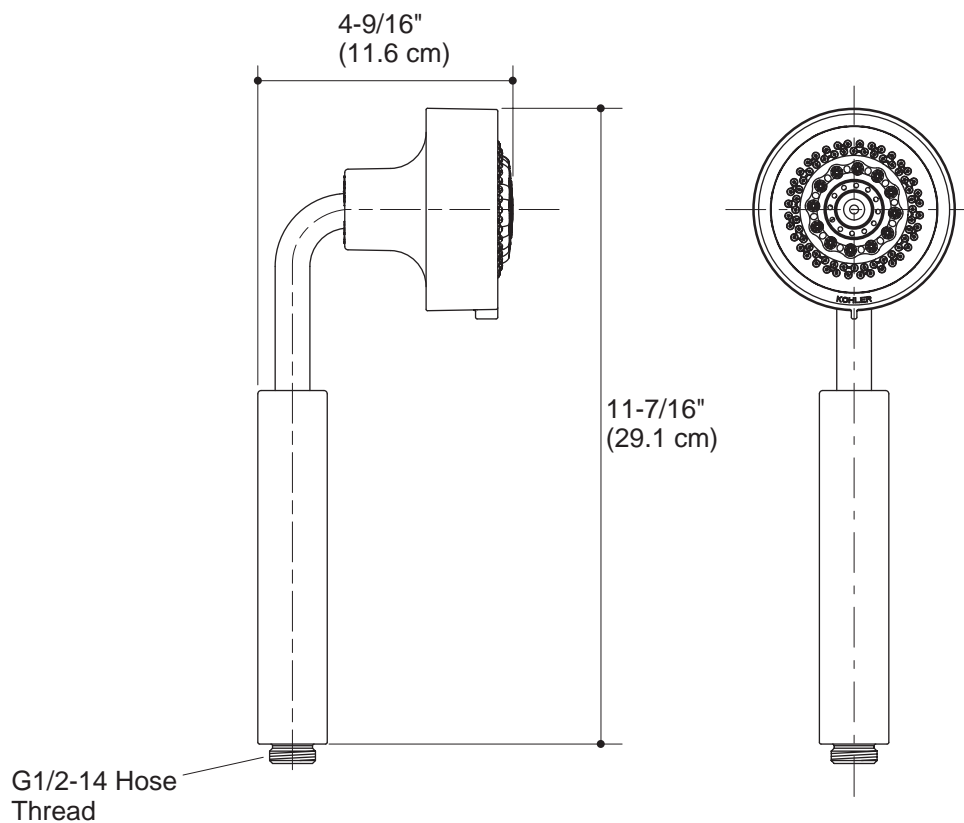
Handshower shall feature wide-coverage, therapeutic massage, soft aerated, and reduced flow spray options. Handshower shall complement the Stillness® faucet line. Handshower shall have a 2.5 gallon (9.5 L) per minute flow rate. Product shall be Kohler Model K-973-\_\_\_\_\_.

# STILLNESS®

## Installation Notes

Install this product according to the installation guide.

Plumbing codes require an atmospheric vacuum breaker (such as Kohler Model K-9660) be installed in-line with handshowers. Please consult with local plumbing officials.



**Product Diagram**