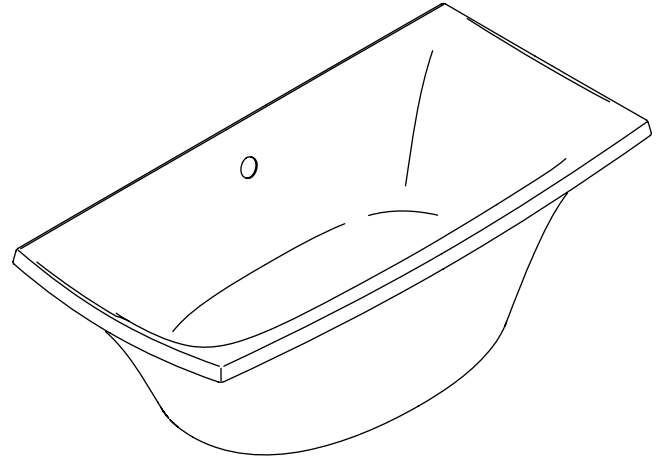


Features

- Acrylic
- Two-piece design
- Complements the Escale Suite
- 72" (182.9 cm) x 36" (91.4 cm) x 24-1/8" (61.3 cm)

FREESTANDING BATH K-11344



Codes/Standards Applicable

Specified model meets or exceeds the following:

- IAPMO/UPC
- CSA International
- ANSI Z124.1.2

Colors/Finishes

- 0: White
- Other: Refer to Price Book for additional colors/finishes

Accessories:

- 0: White
- CP: Polished Chrome
- Other: Refer to Price Book for additional colors/finishes

Specified Model

Model	Description	Colors/Finishes	
K-11344	Freestanding bath	<input type="checkbox"/> 0	<input type="checkbox"/> Other_____
Required Accessories			
K-7219	Bath drain	<input type="checkbox"/> CP	<input type="checkbox"/> Other_____
Recommended Spouts			
Ceiling-mount installation			
K-922	Laminar ceiling-mount bath filler – with .80" (2 cm) diameter orifice OR	<input type="checkbox"/> CP	<input type="checkbox"/> Other_____
K-923	Laminar ceiling-mount bath filler – with .95" (2.4 cm) diameter orifice	<input type="checkbox"/> CP	<input type="checkbox"/> Other_____
Floor-mount installation			
K-18486	Symbol™ Roman bath filler with handshower AND	<input type="checkbox"/> CP	<input type="checkbox"/> Other_____
K-18492	Riser tubes	<input type="checkbox"/> CP	<input type="checkbox"/> Other_____
Optional accessories listed on Page 2.			

Product Specification

The two-piece acrylic bath shall be 72" (182.9 cm) in length, 36" (91.4 cm) in width, and 24-1/8" (61.3 cm) in height. Bath shall complement the Escale Suite. Bath shall be Kohler Model K-11344-_____.

ESCALE™

Optional Accessories

K-1676	Pillow	<input type="checkbox"/> 0	
K-1601	Footstop	<input type="checkbox"/> 0	<input type="checkbox"/> Other_____

Technical Information

Fixture*:	
Bathing well	
Basin area	46-3/4" (118.7 cm) x 21-5/8" (54.9 cm)
Top area	69-15/16" (177.6 cm) x 34-3/8" (87.3 cm)
To overflow	
Water depth	16-1/2" (42.1 cm)
Capacity	71 gal (268.8 L)
Weight	100 lbs (45.4 kg)
* Approximate measurements for comparison only.	
Included component:	
Cut-out template	1055345-7

Recommended spouts and spout locations*:

Area A – floor-mount installation K-18486 **AND** K-18492

Area B – ceiling-mount installation K-922 **OR** K-923

*Refer to shaded areas in product diagram for recommended installation area locations.

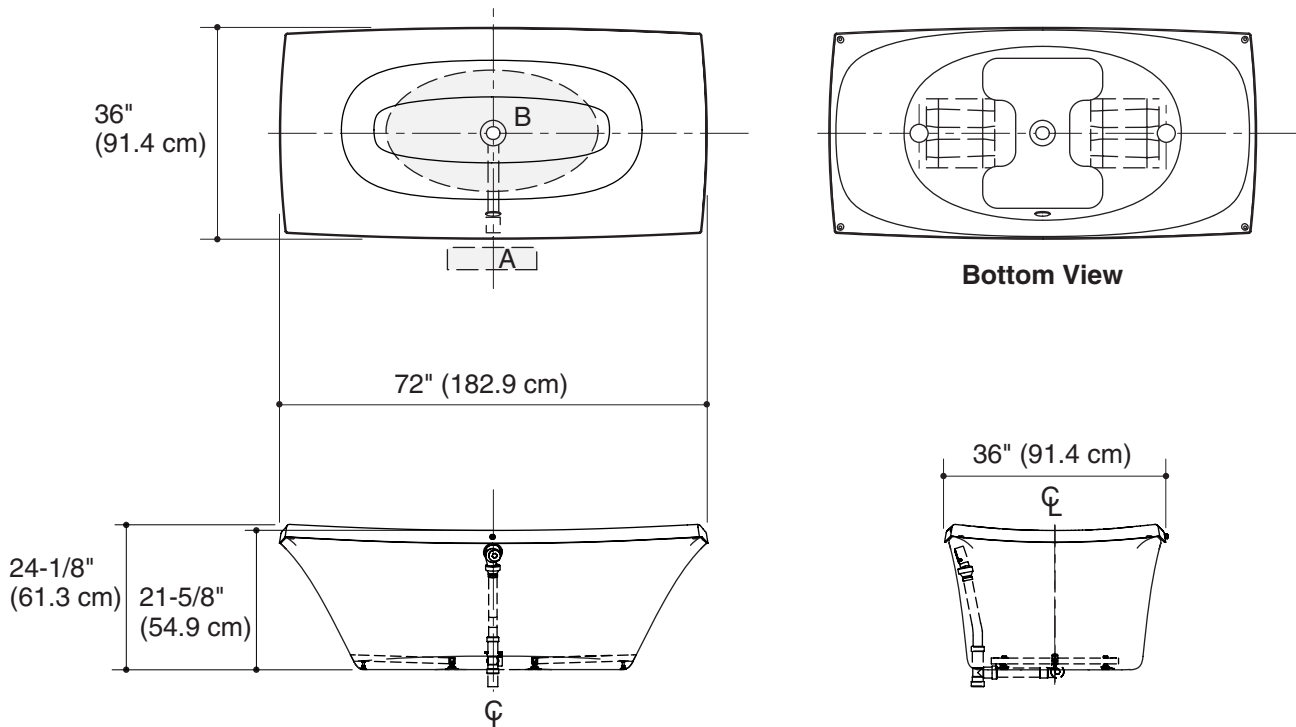
Installation Notes

Install this product according to the installation guide.

Floor support under bath must provide for a minimum of 1800 lbs (816.5 kg).

Hot water supply should be 70% of capacity or greater. Installations will vary.

No change in measurements if connected with drain illustrated. (K-7219)



Product Diagram