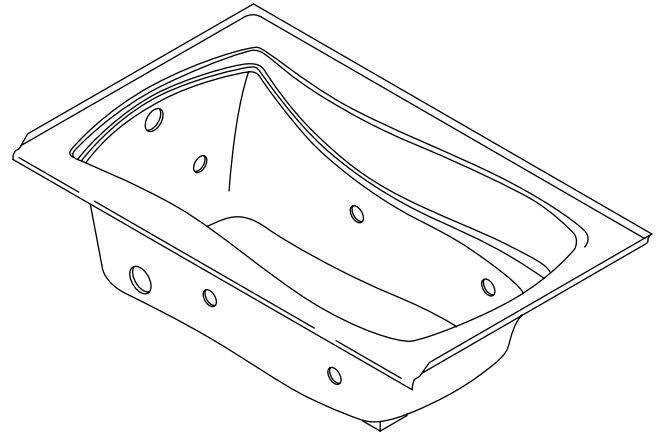


### Features

- Acrylic
- Drop-in or three-wall alcove
- 5 individually adjustable ProFlex® hydro-massage jets
- 1.25 hp pump with air switch and grounding-type plug-in cord
- UL listed
- Optional K-1717 timer kit
- Optional K-9695 metal finish 5 jet trim kit
- Optional K-1278 removable apron
- 60" (152.4 cm) x 36" (91.4 cm) x 20" (50.8 cm)

### BATH WHIRLPOOL K-1239

ALSO K-1239-L, K-1239-R



### Codes/Standards Applicable

Specified model meets or exceeds the following:

- ASME A112.19.7M
- ANSI Z124.1.2
- IAPMO/UPC
- Underwriters Laboratories (UL)
- State of Massachusetts

### Colors/Finishes

- 0: White
- Other: Refer to Price Book for additional colors/finishes

### Accessories

- CP: Polished Chrome
- PB: Vibrant® Polished Brass
- NA: None applicable

### Specified Model

Model	Description	Colors/Finishes	
K-1239	Bath whirlpool – drop-in	<input type="checkbox"/> 0	<input type="checkbox"/> Other _____
K-1239-L	Bath whirlpool – three-wall alcove, left drain (shown)	<input type="checkbox"/> 0	<input type="checkbox"/> Other _____
K-1239-R	Bath whirlpool – three-wall alcove, right drain	<input type="checkbox"/> 0	<input type="checkbox"/> Other _____

#### Recommended Accessories

K-7161-AF	Adjustable pop-up drain with tailpiece	<input type="checkbox"/> CP	<input type="checkbox"/> PB	<input type="checkbox"/> Other _____
-----------	--	-----------------------------	-----------------------------	--------------------------------------

#### Optional Accessories

K-1278	Removable apron	<input type="checkbox"/> 0			<input type="checkbox"/> Other _____
K-1717	20-minute timer kit			<input type="checkbox"/> NA	
K-9695	Metal finish 5 jet trim kit		<input type="checkbox"/> CP	<input type="checkbox"/> PB	<input type="checkbox"/> Other _____

### Product Specification:

The acrylic bath whirlpool shall be 60" (152.4 cm) in length, 36" (91.4 cm) in width, and 20" (50.8 cm) in height. Product shall be for drop-in or three-wall alcove installation. Bath whirlpool shall have 5 individual adjustable ProFlex hydro-massage jets, 1.25 hp pump with air switch and grounding-type plug-in cord. Bath whirlpool shall be UL listed. Bath whirlpool shall have optional K-1278 removable apron, optional K-9695 trim kit, and optional K-1717 timer kit. Bath whirlpool shall be Kohler Model K-1239-\_\_\_\_ or K-1239-\_\_\_\_-\_\_\_\_.

# MARIPOSA®

## Technical Information

Fixture*:				
Basin area:				
Bathing area, bottom	46" (116.8 cm) x 24" (61 cm)			
Bathing area, top	54" (137.2 cm) x 27" (68.6 cm)			
Weight	105 lbs (47.6 kg)			
To overflow:				
Water depth	14" (35.6 cm)			
Capacity	63 gal (238.5 L)			
* Approximate measurements for comparison only.				
Drop-in cutout: 58" (147.3 cm) x 34" (86.4 cm)				
Pump	Hp	V	Hz	A
1-speed	1.25	120	60	7.5
Required minimum access panel:	20" (50.8 cm) x 15" (38.1 cm)			

## Required Electrical Service

Dedicated circuit required, protected with Class A Ground-Fault Circuit-Interrupter (GFCI):	
Pump/control	120 V, 15 A, 60 Hz
Locate the outlet behind the whirlpool and within 24" (61 cm) of the pump.	

## Installation Notes

Install this product according to the installation guide.

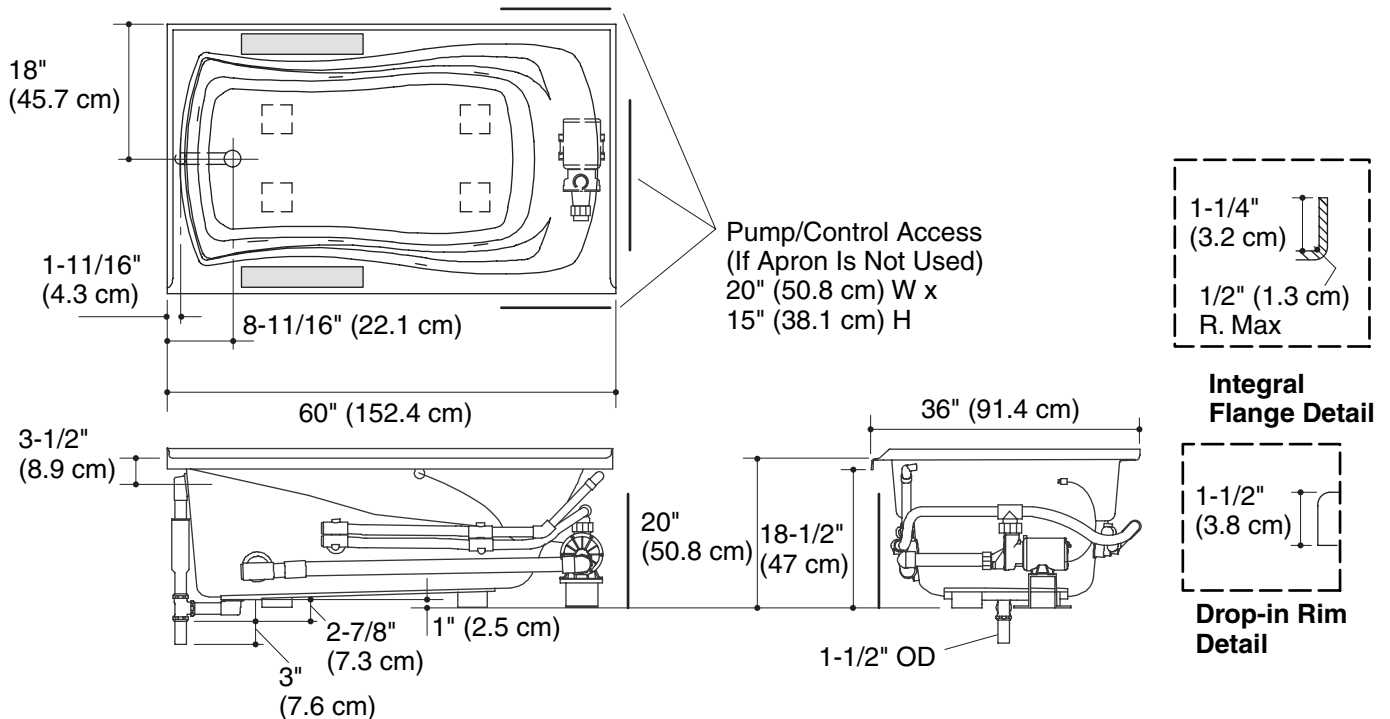
Floor support under whirlpool must provide for minimum of 44 lbs/square foot (214 kg/square meter) loading.

If installing a rim-mount faucet, make sure there is no interference with the drain overflow before drilling any holes. Consult local and national codes for minimum air gap requirements if installing a spout on the faucet deck.

The apron must be installed before the finished floor and wall materials are installed.

No change in measurements if connected with drain illustrated. (K-7161-AF or K-7161M-AF)

■ Recommended Faucet Area



## Product Diagram