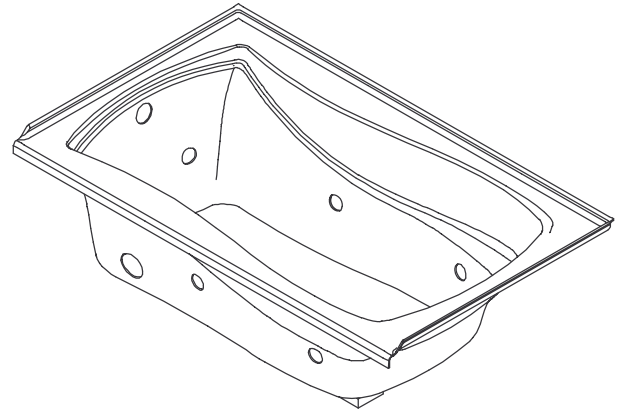


ACRYLIC BATH WHIRLPOOL

K-1224, K-1224-L/-R

FEATURES

- 66" (167.6cm) x 35-7/8" (91.1cm) x 20" (50.8cm)
- Acrylic
- Drop-in or 3-wall alcove
- 5 individually adjustable ProFlex hydro-massage jets
- 1-1/4 HP pump with air switch and cord with plug
- UL listed
- Optional K-1234 separate apron
- Optional K-9695 whirlpool trim kit in various finishes
- Optional K-1639 timer kit



CODES/STANDARDS APPLICABLE

Specified model meets or exceeds the following:

- ASME/ANSI A112.19.7M
- ANSI Z124.1
- IAPMO/UPC
- Underwriters Laboratories (UL)
- State of Massachusetts

COLORS/FINISHES

- 0 White
- Other Refer to Fixtures IPrice Book for additional colors

Accessories:

- CP Polished Chrome
- PB Polished Brass
- Other Refer to Price Book for additional finishes
- NA None Applicable

SPECIFIED MODEL:

Model	Description	Colors/Finishes	
K-1224	Whirlpool, drop-in	<input type="checkbox"/> 0 White	<input type="checkbox"/> Other_____
K-1224-L	Whirlpool, left drain hole, integral tile flange (shown)	<input type="checkbox"/> 0 White	<input type="checkbox"/> Other_____
K-1224-R	Whirlpool, right drain hole, integral tile flange	<input type="checkbox"/> 0 White	<input type="checkbox"/> Other_____

Recommended Accessories			
K-7161-AF	Drain	<input type="checkbox"/> CP	<input type="checkbox"/> PB <input type="checkbox"/> Other_____

Optional Accessories			
K-1234	Separate apron with removable panel for front access	<input type="checkbox"/> 0 White	<input type="checkbox"/> Other_____
K-9695	Jet trim kit (metal finishes)	<input type="checkbox"/> CP <input type="checkbox"/> PB	<input type="checkbox"/> Other_____
K-1639	Timer Kit		<input type="checkbox"/> NA

PRODUCT SPECIFICATION:

The bath whirlpool shall be 66" (167.6cm) in length, 35-7/8" (91.1cm) in width, and 20" (50.8cm) in height. Bath whirlpool shall be made of acrylic, drop-in or 3-wall alcove installation. Bath whirlpool shall have 5 individually adjustable ProFlex hydro-massage jets, 1-1/4 HP pump with air switch and cord with plug. Bath whirlpool shall be UL listed. Bath whirlpool shall have optional K-1234 separate apron. Bath whirlpool shall have optional K-9695 trim kit. Bath whirlpool shall have optional K-1639 timer kit. Bath whirlpool shall be Kohler Model K-1224-_____ - _____.

MARIPOSA™ 5.5'

PRODUCT INFORMATION

Fixture*:	basin area	top area	weight
Bathing well	48" (121.9cm) x 24" (61cm)	59" (149.9cm) x 30" (76.2cm)	110 lbs. (49.9kg)
	water depth	capacity	
To overflow	14" (35.6cm)	67 gal. (253.6L)	

* Approximate measurements for comparison only.

Pump:	HP	V	Hz	A
1-speed	1-1/4	120	60	7.5

REQUIRED ELECTRICAL SERVICE

Dedicated circuit required, protected with Class A Ground-Fault Circuit-Interrupter (GFCI):

Pump/control	120 V, 15 A, 60 Hz
--------------	--------------------

Locate the outlet behind the whirlpool and within 24" (61cm) of the pump.

INSTALLATION NOTES

Install this product according to the installation guide.

Floor support under whirlpool must provide for a minimum of 80 lbs./square foot (390 Kg./square meter) loading.

If installing a rim-mount faucet, make sure there is no interference with drain overflow and circulating system before drilling any holes. Consult local and national codes for minimum air gap requirements if installing a spout on the faucet deck.

The apron must be installed before the finish floor and wall materials are installed.

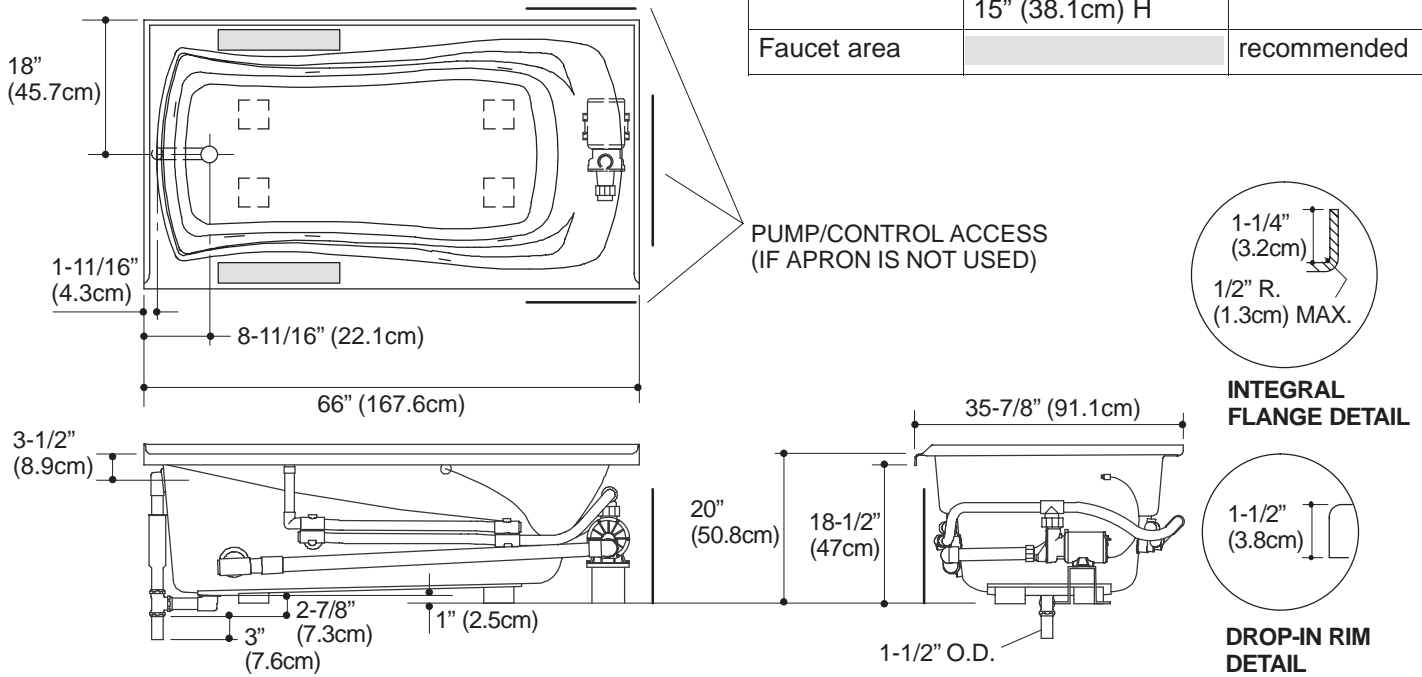
No change in measurements if connected with drain illustrated. (K-7161-AF or K-7161M-AF)

Drop-in cut-out	64" (162.6cm) x 34" (86.4cm)
-----------------	------------------------------

Minimum access panel:

Pump/control	20" (50.8cm) W x 15" (38.1cm) H	required
--------------	---------------------------------	----------

Faucet area		recommended
-------------	--	-------------



PRODUCT DIAGRAM