

# KOHLER® Roughing-In

**K-2257**  
**CAXTON®**  
**TILE-IN/METAL FRAME LAVATORY**

## Product Information

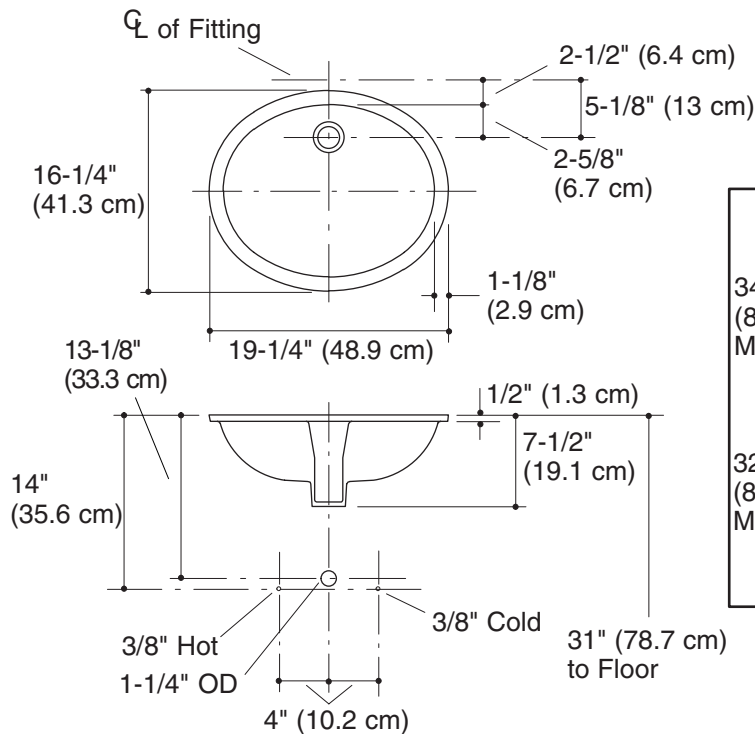
Applicable product:	
Tile-in or metal frame lavatory	K-2257
Fixture is ADA compliant. <b>ADA</b>	
Fixture*:	
Basin area	17" (43.2 cm) x 14" (35.6 cm)
Water depth	4" (10.2 cm)
Drain hole	1-3/4" (4.4 cm) D.
* Approximate measurements for comparison only.	

Required accessories:	
Metal frame	K-6686
Recommended accessories:	
P-Trap	K-8998
Included components:	
Cut-out template (Tile-in only)	114752-7

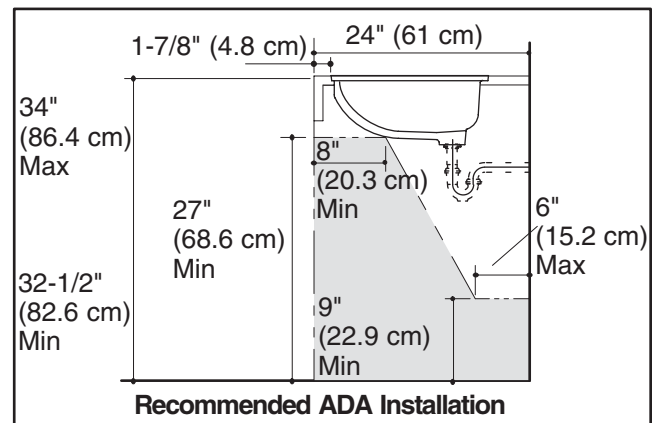
## Installation Notes

Install this product according to the installation guide.

Fixture dimensions are nominal and conform to tolerances in ASME Standard A112.19.2.



**Standard Installation**



**Recommended ADA Installation**