

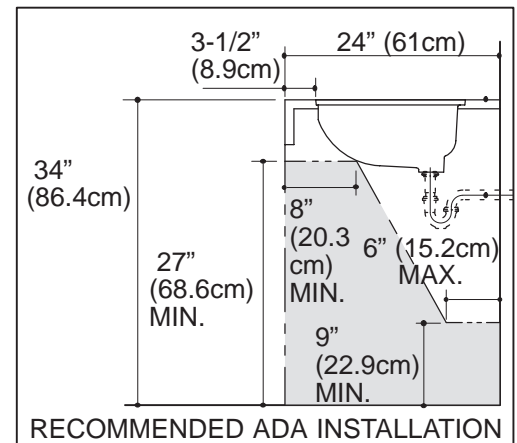
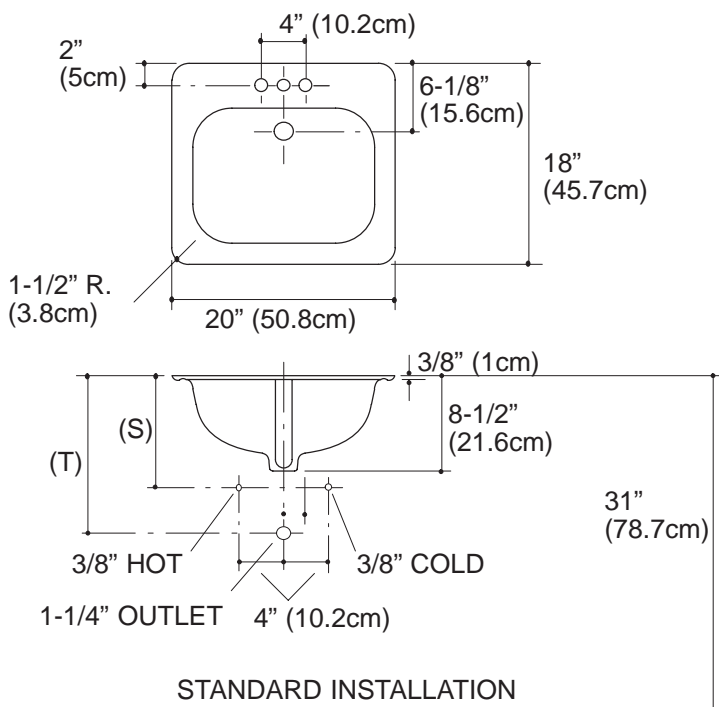
Product Information

ADA compliant.			
Fixture*:		basin area	water depth
Lavatory		16" (40.6cm) x 12" (30.5cm)	5" (12.7cm)
Outlet	1-11/16" D. (4.3cm)		
* Approximate measurements for comparison only.			
Spout	1-1/8" D. (2.9cm)		
Faucet	1-3/16" D. (3cm)		
Included Components:			
Overflow ferrule			84896

Installation Notes

Install this product according to the installation guide.

Fixture dimensions are nominal and conform to tolerances in ASME Standard A112.19.1M.



(T) Pop-up drain 14-1/8" (35.9cm), grid drain 13-1/4" (33.7cm).
(S) 10" (25.4cm) (Based on 12" (30.5cm) riser which may require cutting).
Cutout metal frame required.

1.05>116