

## Product Information

Fixture*:		basin area	water depth
Lavatory		16" (40.6cm) x 12" (30.5cm)	5" (12.7cm)
Drain hole	1-11/16" D. (4.3cm)		

\* Approximate measurements for comparison only.

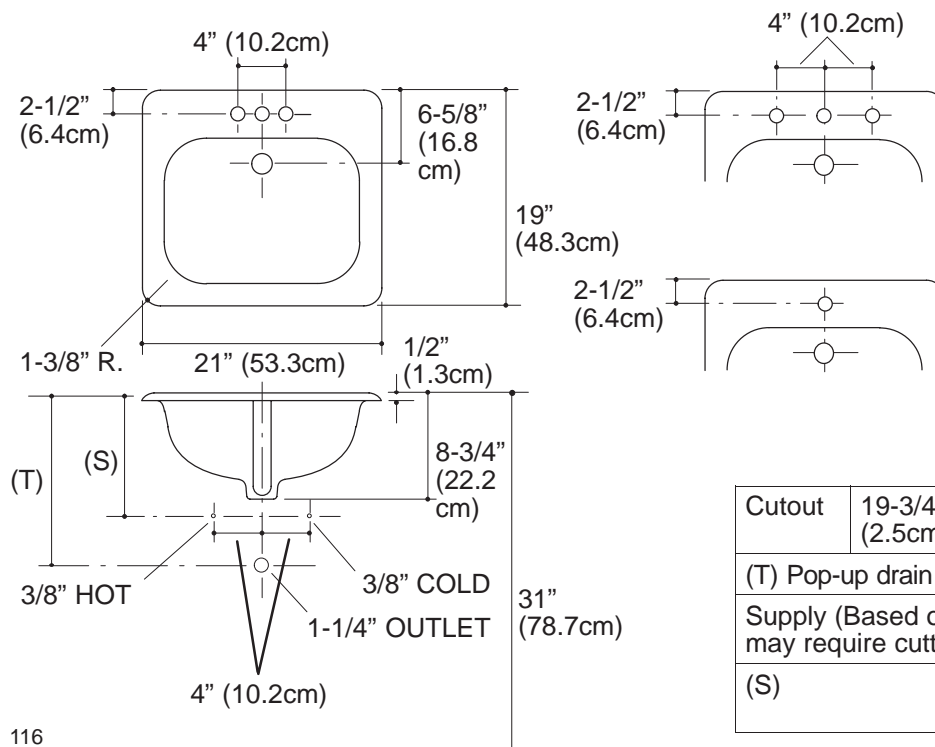
Spout	1-1/8" D. (2.9cm)	1-1/8" D. (2.9cm)	1-3/8" D. (3.5cm)
Faucet	1-3/16" D. (4.6cm)	1-3/8" D. (3.5cm)	

Included Components:	
Overflow ferrule (1)	44071
Cutout template	116586-7

## Installation Notes

Install this product according to the installation guide.

Fixture dimensions are nominal and conform to tolerances in ASME Standard A112.19.1M.



Cutout	19-3/4" (50.2cm) x 17-3/4" (45.1cm) with 1" (2.5cm) radius corners.	
(T)	Pop-up drain 14-3/16" (36cm), drain 13-5/16" (33.8cm)	
Supply (Based on 12" riser which may require cutting).	K-2895-4 K-2895-1	K-2895-8
(S)	10" (25.4cm)	14" (35.6cm)