

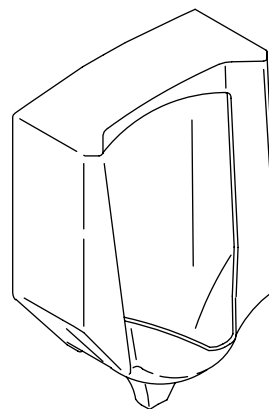
Features

- Vitreous china
- Blow-out
- 1-1/4" rear spud
- Includes inlet and outlet spuds and hangers
- 1 gpf (3.8 lpf)

Codes/Standards Applicable

Specified model meets or exceeds the following:

- ASME A112.19.2
- IAPMO/UPC
- ICC/ANSI A117.1
- Energy Policy Act of 1992 (EPACT)
- CSA B45



Colors/Finishes

- 0: White
- Other: Refer to Price Book for additional colors/finishes

Accessories:

- 0: White
- Other: Refer to Price Book for additional colors/finishes

Specified Model

Model	Description	Colors/Finishes	
K-4972-R	1-1/4" rear spud urinal	<input type="checkbox"/> 0	<input type="checkbox"/> Other_____
Optional Accessories			
18763	1-1/4" replacement spud	<input type="checkbox"/> 0	<input type="checkbox"/> Other_____

Product Specification

Blow-out urinal shall be made of vitreous china with a 1-1/4" rear spud. Urinal includes inlet and outlet spuds and hangers. Urinal shall use 1 gpf (3.78 lpf). Urinal shall be Kohler Model K-4972-R-_____.

STANWELL™

Technical Information

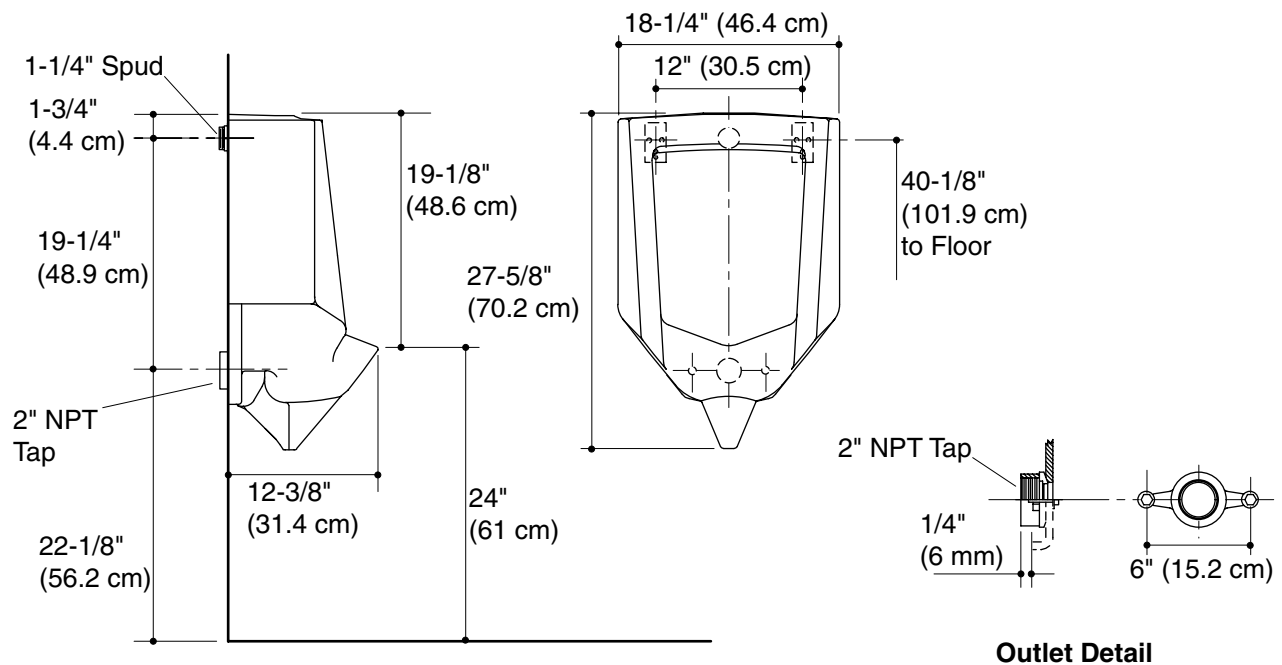
Fixture:	
Configuration	Rear spud
Water per flush	1 gal* (3.78 L)
Spud inlet size	1-1/4"
Minimum running pressure required	25 psi (172.4 kPa)
* Designed to flush with one gallon (3.78 L) of water when installed with a water-saving flush valve.	

Included components:	
2" outlet spud	18766
1-1/4" inlet spud	18759
Hanger (2 required)	64512
5/8" drain plug	21403

Installation Notes

Install this product according to the installation guide.

Refer to manufacturer's instructions and local codes for flush valve requirements.



Outlet Detail

Product Diagram