

WATERLESS URINAL K-4918

ADA

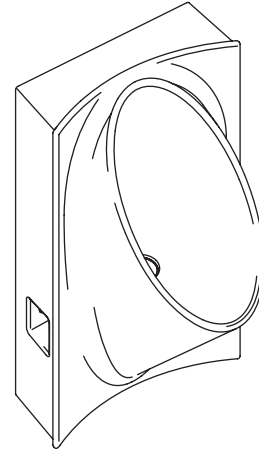
Features

- Vitreous china
- Waterless
- Includes sealing liquid sample and cleaner sample
- Includes removable strainer, universal mounting bracket, outlet spud, and hangers
- 15-1/2" (39.4 cm) extended rim

Codes/Standards Applicable

Specified model meets or exceeds the following:

- ADA when rim is mounted no higher than 17" (43.2 cm) from finished floor
- CSA B45
- ICC/ANSI A117.1
- ASME A112.19.2
- CSA International
- IAPMO/Classified Listing



Colors/Finishes

- 0: White
- Other: Refer to Price Book for additional colors/finishes

Accessories:

- NA: None applicable

Specified Model

Model	Description	Colors/Finishes	
K-4918	Waterless urinal	<input type="checkbox"/> 0	<input type="checkbox"/> Other _____
Optional Accessories			
18773	3" outlet spud	<input type="checkbox"/> NA	

Product Specification

The waterless urinal shall be made of vitreous china. The urinal shall have a 15-1/2" (39.4 cm) extended rim. The urinal shall include a sealing liquid sample and cleaner sample. The urinal shall include a removable strainer, universal mounting bracket, outlet spud, and hangers. The urinal shall be Kohler Model K-4918-_____.

STEWARD™

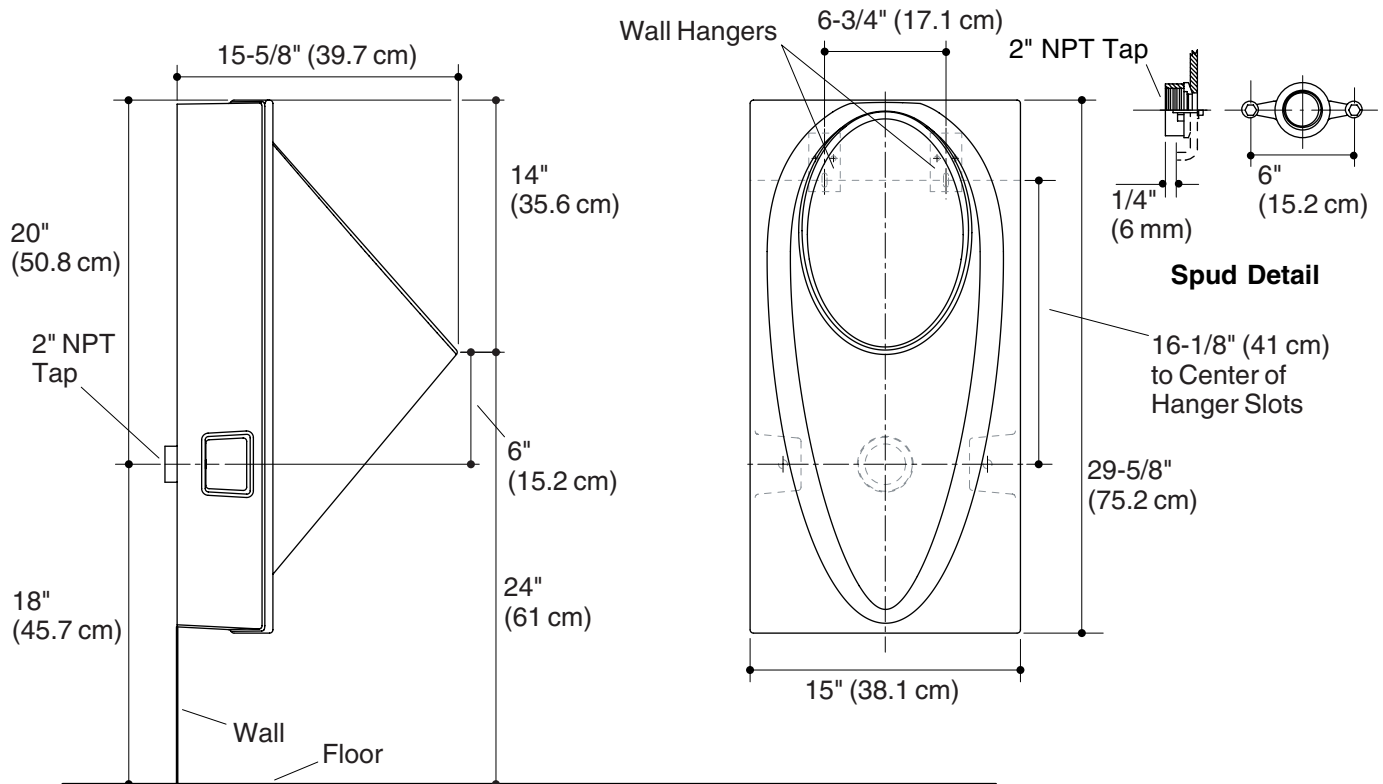
Technical Information

Included components:	
2" outlet spud	18766
Strainer	1046455
Hanger (2 required)	64512
Universal mounting bracket	1044200

Installation Notes

Install this product according to the installation guide.

Roughing-in remains the same when using the optional 3" outlet spud.



Product Diagram