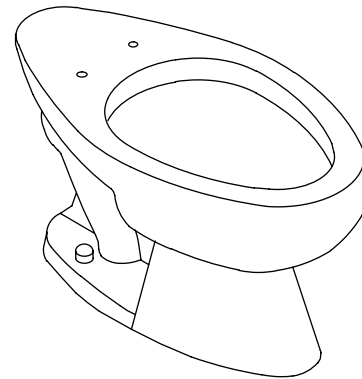


BOWL K-4367

ADA

Features

- Vitreous china
- Elongated bowl
- With bedpan lugs (-L)
- 1-1/2" rear spud
- 11" (27.9 cm) minimum rough-in
- 11-3/8" (28.9 cm) x 10-3/8" (26.4 cm) water area
- 2-1/4" (5.7 cm) passageway
- 17-1/2" (44.5 cm) high bowl is ADA compliant
- 1.6 gpf (6 lpf)
- 26" (66 cm) x 14-1/2" (36.8 cm) x 17-1/2" (44.5 cm)



Codes/Standards Applicable

Specified model meets or exceeds the following:

- ADA
- ASME A112.19.2
- ICC/ANSI A117.1
- Energy Policy Act of 1992 (EPACT)

Colors/Finishes

- 0: White
- Other: Refer to Price Book for additional colors/finishes

Accessories:

- 0: White
- Other: Refer to Price Book for additional colors/finishes

Specified Model

| Model | Description | Colors/Finishes | |
|----------|--|----------------------------|-------------------------------------|
| K-4367 | Elongated bowl toilet | <input type="checkbox"/> 0 | <input type="checkbox"/> Other_____ |
| K-4367-L | Elongated bowl toilet with bedpan lugs | <input type="checkbox"/> 0 | <input type="checkbox"/> Other_____ |

| Recommended Accessories | | | |
|-------------------------|--|----------------------------|-------------------------------------|
| K-4670-C | Lustra™ open front seat | <input type="checkbox"/> 0 | <input type="checkbox"/> Other_____ |
| K-4670-CA | Lustra open front seat with anti-microbial agent | <input type="checkbox"/> 0 | |
| 21401 | Floor bolts (pair) | | |

Product Specification

The elongated bowl shall be 11" (27.9 cm) minimum rough-in with a 1-1/2" rear spud. Bowl shall be made of vitreous china. Bowl shall be 1.6 gpf (6 lpf). Bowl shall have 11-3/8" (28.9 cm) by 10-3/8" (26.4 cm) water area. Bowl shall have 2-1/4" (5.7 cm) passageway. Bowl shall be ADA compliant with 17-1/2" (44.5 cm) high bowl. Bowl shall have bedpan lugs (-L). Bowl shall be 26" (66 cm) in length, 14-1/2" (36.8 cm) in width, and 17-1/2" (44.5 cm) in height. Bowl shall be Kohler Model K-4367-_____-_____.

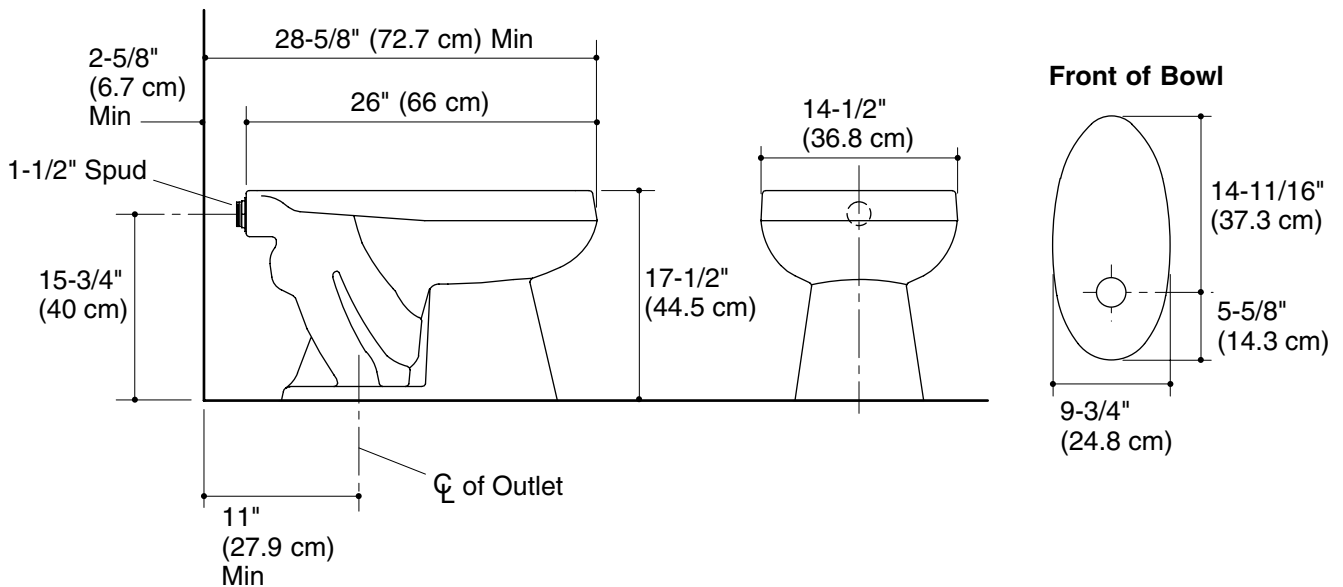
HIGHCLIFF™

Technical Information

| | |
|--|---------------------------------------|
| Fixture is ADA compliant. ADA | |
| Fixture: | |
| Configuration | Rear spud, elongated |
| Water per flush | 1.6 gal (6 L)* |
| Spud size | 1-1/2" |
| Passageway | 2-1/4" (5.7 cm) |
| Water area | 11-3/8" (28.9 cm) x 10-3/8" (26.4 cm) |
| Water depth from rim | 6" (15.2 cm) |
| Seat post hole centers | 5-1/2" (14 cm) |
| * Designed to flush with 1.6 gal (6 L) of water when installed with a 1.6 gpf (6 lpf) valve. | |
| Included components: | |
| Spud | 18357 |
| Bolt cap accessory pack | 52048 |

Installation Notes

Install this product according to the installation guide. Refer to manufacturer and local codes for flush valve requirements.



Product Diagram