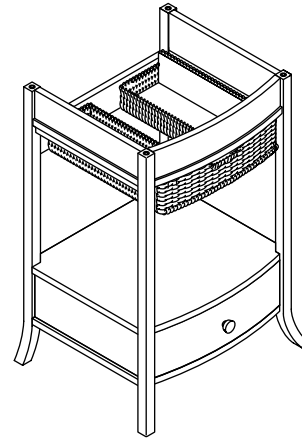


Features

- Select hard maple, both solids and veneers
- Catalyzed polyurethane finish
- Full-extension bottom drawer
- Three-quarter extension basket with epoxy slide
- Intended for use with Archer vitreous china lavatory [K-2358]
- 23" (58.4 cm) x 18-3/4" (47.6 cm) x 32-13/16" (83.3 cm)



Codes/Standards Applicable

Specified model meets or exceeds the following:

- None applicable

Colors/Finishes

- F2: Black Forest

Specified Model

Model	Description	Colors/Finishes	
K-2449	Vanity	<input type="checkbox"/> F2	
Required Lavatories			
K-2358-8	Archer lavatory with overflow – 8" (20.3 cm) centers	<input type="checkbox"/> 0	<input type="checkbox"/> Other
K-2358-4	Archer lavatory with overflow – 4" (10.2 cm) centers	<input type="checkbox"/> 0	<input type="checkbox"/> Other
K-2358-1	Archer lavatory with overflow – single hole	<input type="checkbox"/> 0	<input type="checkbox"/> Other

Product Specification

The vanity shall be 23" (58.4 cm) wide, 18-3/4" (47.6 cm) deep, and 32-13/16" (83.3 cm) high. Vanity shall be made of select hard maple, both solids and veneers, with a catalyzed polyurethane finish. Vanity shall feature a full-extension bottom drawer and three-quarter extension basket with epoxy slide. Vanity shall be intended for use with Archer vitreous china lavatory [K-2358]. Vanity shall be Kohler Model K-2449-_____.

