

SWIVEL VANITY SEAT K-2438

Features

- White maple or ash veneers and solids
- Functions as wastebasket with side access and removable seat
- Includes wastebasket insert
- Seat swivels 360°
- Small footprint allows for storage underneath vanity
- Complements the Fountainhead Suite
- 18-1/2" (47 cm) seat height



Codes/Standards Applicable

Specified model meets or exceeds the following:

- None applicable

Colors/Finishes

- F34: Blanche Maple
- F35: Truffle Ash

Vanities:

- F34: Blanche Maple
- F35: Truffle Ash

Specified Model

Model	Description	Colors/Finishes	
K-2438	Swivel vanity seat	<input type="checkbox"/> F34	<input type="checkbox"/> F35
Recommended Vanities			
K-2435	Fountainhead vanity, 21" (53.3 cm) length	<input type="checkbox"/> F34	<input type="checkbox"/> F35
K-2436	Fountainhead vanity/dressing table, 69" (175.3 cm) length	<input type="checkbox"/> F34	<input type="checkbox"/> F35
K-2437	Fountainhead vanity, 60" (152.4 cm) length	<input type="checkbox"/> F34	<input type="checkbox"/> F35

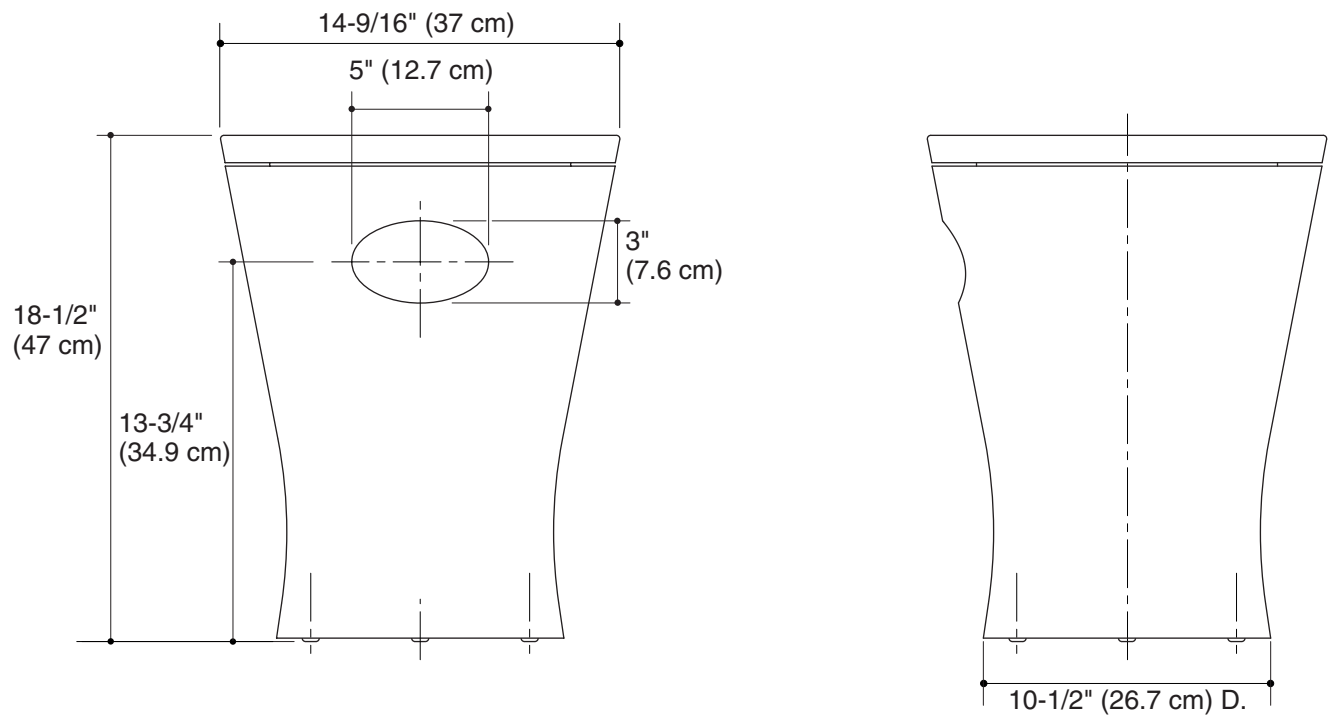
Product Specification

The swivel vanity seat shall have an 18-1/2" (47 cm) seat height. Product shall be made of white maple or ash veneers and solids. Product shall feature a seat which swivels 360°. Product shall feature a small footprint, which allows for storage underneath a vanity. Product shall function as wastebasket with side access and removable seat. Product shall include a wastebasket insert. Product shall complement the Fountainhead Suite. Swivel vanity seat shall be Kohler Model K-2438-_____.

FOUNTAINHEAD™

Installation Notes

Install this product according to the installation guide.



Product Diagram