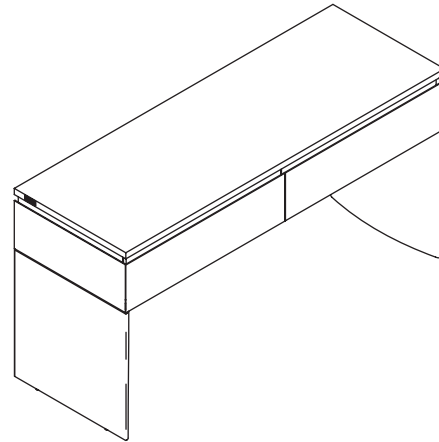


Features

- Catalyzed polyurethane finish
- Natural maple or ash veneers and solids
- Two slow-close drawers
- Integrated electrical outlet and integral lights
- Complements the Fountainhead Suite
- 60" (152.4 cm) x 21" (53.3 cm) x 31" (78.7 cm)

60" (152.4 cm) VANITY
K-2437



Codes/Standards Applicable

Specified model meets or exceeds the following:

- Underwriters Laboratories (UL)

Colors/Finishes

- F34: Blanche Maple
- F35: Truffle Ash

Accessories:

- 0: White
- TH: Greek Thassos
- Other: Refer to Price Book for additional colors/finishes

Specified Model

Model	Description	Colors/Finishes	
K-2437	60" (152.4 cm) vanity	<input type="checkbox"/> F34	<input type="checkbox"/> F35

Recommended Lavatories

K-2829	Fountainhead above-the-counter or self-rimming cast iron lavatory	<input type="checkbox"/> 0	<input type="checkbox"/> Other _____
K-2834	Fountainhead countertop cast iron lavatory	<input type="checkbox"/> 0	<input type="checkbox"/> Other _____
K-2352	Fountainhead above-the-counter marble lavatory	<input type="checkbox"/> TH	

Recommended Accessories

K-2431	21" (53.3 cm) wall storage	<input type="checkbox"/> F34	<input type="checkbox"/> F35
K-2432	21" (53.3 cm) wall storage – designed for integral faucet with lever handle	<input type="checkbox"/> F34	<input type="checkbox"/> F35
K-2438	Swivel vanity seat	<input type="checkbox"/> F34	<input type="checkbox"/> F35
K-2440	Shelf	<input type="checkbox"/> F34	<input type="checkbox"/> F35
K-2441	Angle-poise mirror	<input type="checkbox"/> CP	

Product Specification

The vanity shall be 60" (152.4 cm) in length, 21" (53.3 cm) in depth, and 31" (78.7 cm) in height. Vanity shall feature two slow-close drawers, and integrated electrical outlet and integral lights. Vanity shall be made of natural maple or ash veneers and solids with a catalyzed polyurethane finish. Vanity shall complement the Fountainhead Suite. Vanity shall be Kohler Model K-2437-_____.

FOUNTAINHEAD™

Required Electrical Service

Two (2) electrical supply outlets are required, protected with Class A Ground-Fault Circuit-Interrupter (GFCI):	
Receptacle:	120 V, 15 A, 60 Hz
Lighting:	
Two (2) puck lights	5 W

Installation Notes

Install this product according to the installation guide.

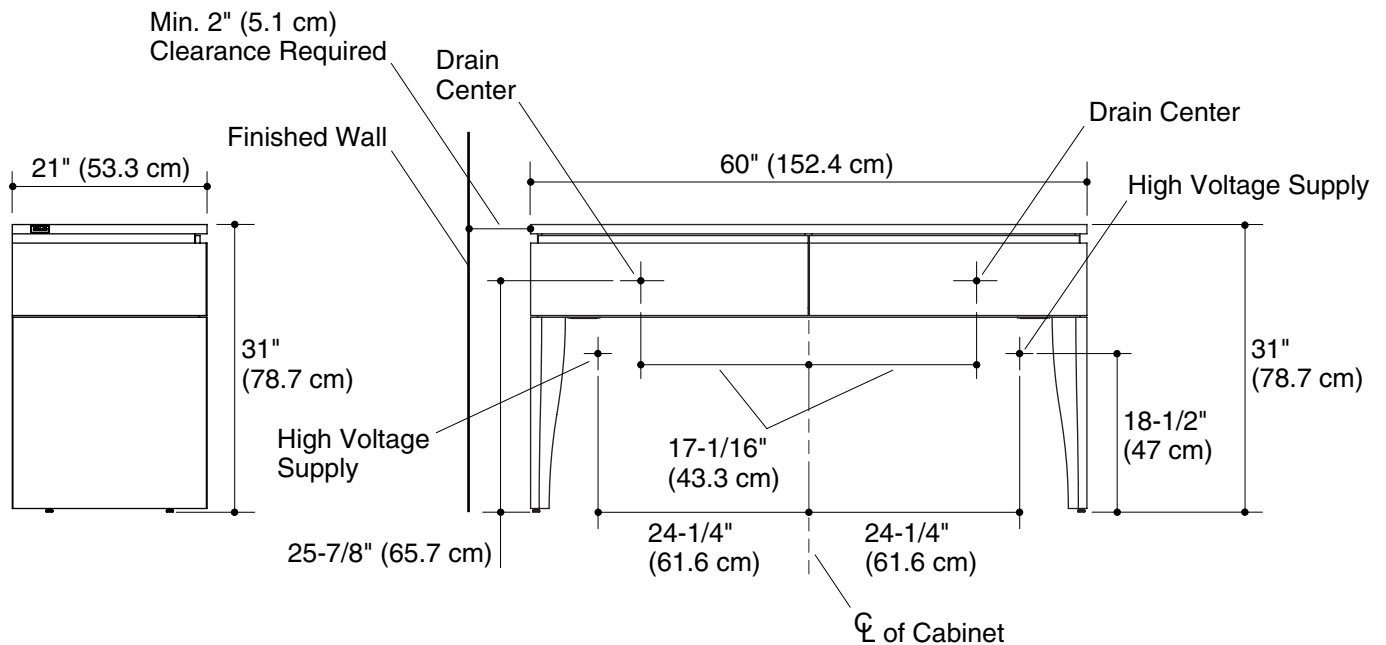
Select the type of fastener based on the wall material. A minimum of 50 lbs (22.68 kg) load bearing fastener is recommended.

A vessel style lavatory is the only style accepted for this vanity.

Up to two (2) vessel style lavatories may be installed to this vanity.

Two (2) electrical supply outlets are required for this installation.

To allow the user to access the touch switch to activate the lighting, a minimum of 2" (5.1 cm) of clearance is required on the far left side.



Product Diagram