

INTRODUCTION

Kohler console tables bring elegance to the bath or powder room. Offered with IV Georges Brass, Colibri, Bellamonte, and Cygnet styles, Kohler console tables feature brass legs in a variety of finishes for lasting beauty. Console tops are constructed of either blended stone, marble, or vitreous china, and are available with various lavatories. Refer to the Specification Sheet for console top and lavatory offerings.

Installation of Kohler console tables is an easy step-by-step procedure. Please read these instructions carefully to familiarize yourself with the required tools, materials, and installation sequences. Follow only the sections that pertain to your particular installation. This will help you avoid costly mistakes.

The variety of installations possible with this console table may require procedures other than those described in these instructions.

BEFORE YOU BEGIN

These instructions are intended for installation of the IV Georges, Colibri, Bellamonte, Cygnet and Uccello legs with console tables. Different combinations of legs and console tops can be installed. Two people will be needed to install the console table.

These instructions are for installing the console table to wood frame construction. For other construction, supply suitable bracing and fastening devices of sufficient size and strength. Make sure you refer to **Fig. #1** for proper roughing-in dimensions.

TOOLS NEEDED

- 3/16 & 7/16" box end, open end or socket wrench
- Allen wrench – 5/32"
- Standard screwdriver
- 3/16 and 5/16 inch drill bits
- Hammer
- Screw-holding or clinching-type screwdriver
- Phillip screwdriver
- Adjustable wrench
- Rule, Level
- Safety glasses, Safety shoes
- Drill

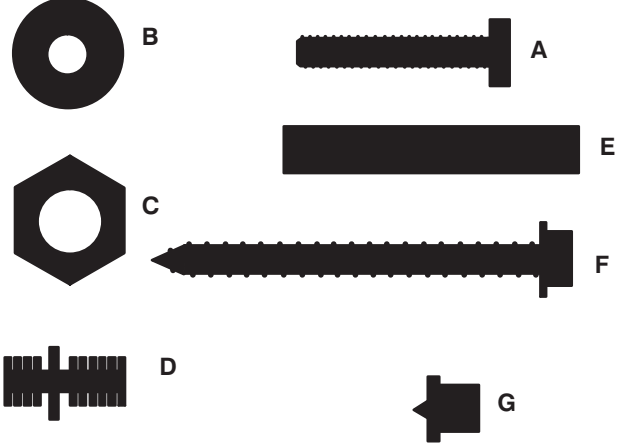
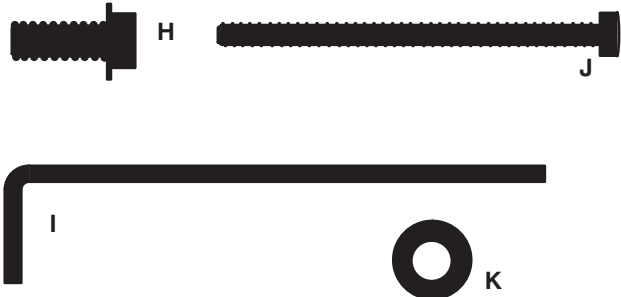
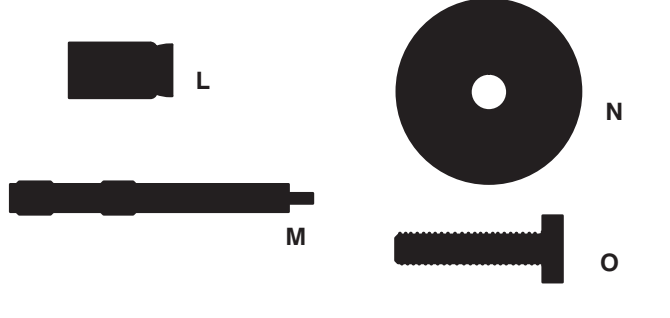

MATERIALS REQUIRED:

- Faucet (8" widespread)
- K-9018 Trap (For polished chrome, order K-9000-CP)
- K-7606 hot and cold supplies (flexible harness)
- K-7709 shroud (not needed with polished chrome trap)
- Masking tape

NOTE: K-7709 shroud may have to be cut for installation. Protect shroud from scratching during cutting by masking off the area to be cut with masking tape. Cut shroud only at end without slot.

NOTE: Do not use faucets with rigid connections as the table top is too thick for faucet mounting threads.

**FASTENER PACKAGE FOR ALL MODELS
INCLUDES PARTS SHOWN ON CHART
BELOW:**

	ITEM	USE
	<p>Leg Mount Group</p> <p>A. (5) 1/4–20 x 1 Hex head screw B. (5) 1/4 Lockwasher C. (3) 1/2–13 Hex jam nut D. (3) Double ended fastener E. (3) Anchor, vinyl F. (6) #14 x 2 Hex washer head tapping screw G. (2) Blind hole spotter</p>	<p>Leg brace to framing Leg brace to framing Leg height adj. rod Brass dome to leg Leg base to concrete floor Frame to wall and leg base to floor Marking leg base floor holes</p>
	<p>Apron/Lavatory Installation Group</p> <p>H. (13) #10–32 x 7/16" Hex head I. (5) Lavatory clips J. (5) #10–24 x 2 Pan head machine screw K. (5) #10 Flat washer</p>	<p>Aprons or Uccello legs to machine screw frame All lavs to tops All lavs to frames All lavs to frames</p>
	<p>Top Mount Group</p> <p>L. (5) Anchor, lead expansion M. (1) Setting tool N. (5) Washer, flat 1.0 O.D. O. (5) #10–24 x 3/4" Pan head machine screw</p>	<p>Top to frame (Marble only) For lead anchors (marble only) Top to frame Top to frame</p>
	<p>(1) Faucet washer plate</p>	<p>Underside of top at faucet holes</p>

NOTE: There are similar fasteners packed together in fastener pack. Make sure you use the proper fastener or stripped threads may occur. Check for proper fit before tightening. Correct fastener should thread easily into hole...if not check to be sure the correct fastener is used.

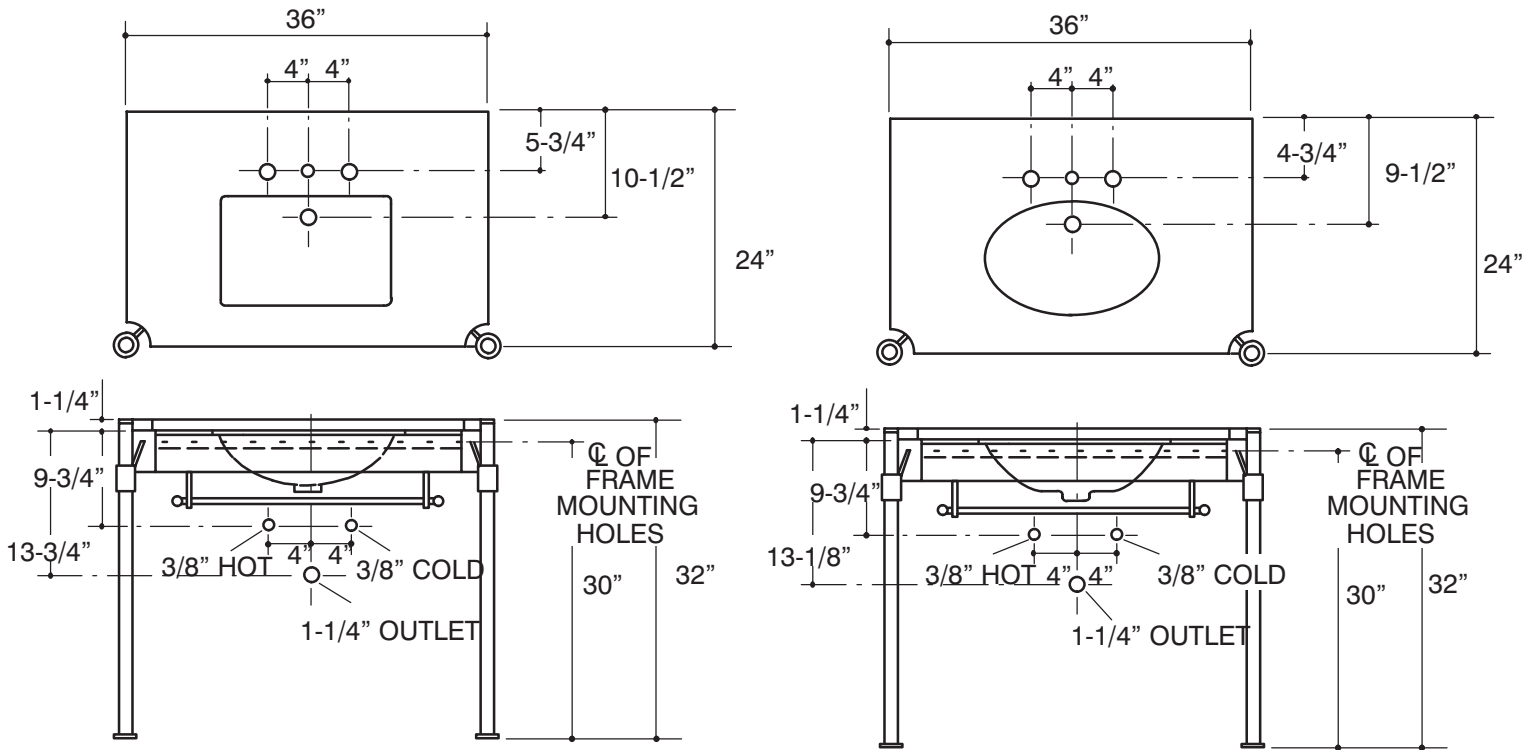


Fig. #1

PREPARATION

1. Kohler console tables can be installed in new or existing bath or powder rooms.
2. Before you begin any work, carefully uncrate and identify part boxes. Inspect all the parts required for the installation of the console table. Until you are ready to begin actual installation, leave the parts in their cartons to prevent damage.
3. Make sure you provide the proper plumbing for the water supplies and drain. Notice that the water supplies must be roughed-in at a higher-than-normal dimension. Refer to **Fig. #1** for proper location of supplies and drain.
4. Position plumbing as required. Temporarily cap water supplies, and check for leaks.
5. Protect all parts from damage during and after installation.
6. The following is a brief summary of the installation:
 - Install legs to the console frame.
 - Assemble the towel bar.
 - Mount the legs and frame to the wall.
 - Attach the side and front aprons.
 - Attach the table top to the frame.
 - Install the lavatory.
 - Finish leg assembly.
7. Maximum overall dimensions for console table with Uccello legs are 36" high, 27" deep, and 41" wide.

INSTALLING THE LEGS TO THE CONSOLE FRAME

FOR UCCELLO STYLING, refer to the section Installing Uccello Legs.

1. Refer to **Fig. #2**, **Fig. #3**, and **Fig. #4**. Determine the leg style you will assemble. Examine the following list. Identify the proper legs, leg hardware, and fasteners pertaining to your particular model:

IV GEORGES STYLING (Fig. #2) Leg Assembly Box (K-9718)

- (2) Lower leg with adjustment rod
- (2) Upper leg
- (1) Towel bar (see **Fig. #8**)

Leg Hardware Box (K-6825)

- (2) Adjustment body
- (2) Leg cap
- (2) Towel bar end subassembly (see **Fig. #8**)
- (2) Towel bar support
- (2) Apron corner piece (see **Fig. #6**)
- (2) Leg base

IV GEORGES STYLING

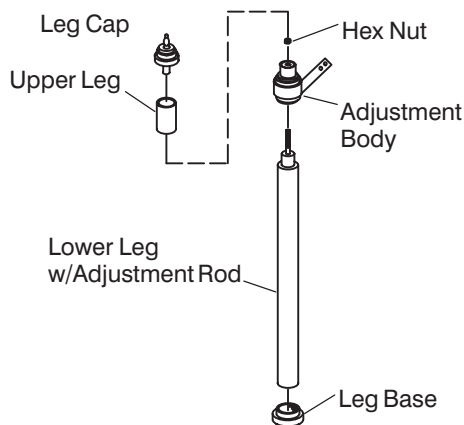


Fig. #2

CYGNET STYLING (Fig. #3) Leg Assembly Box (K-9718)

- (2) Lower leg with adjustment rod
- (2) Upper Leg
- (1) Towel Bar (see **Fig. #8**)

Leg Hardware Box (K-6794)

- (2) Adjustment body
- (2) Leg cap
- (2) Leg adapter
- (2) Sleeve – Black/Brushed Nickel
- (2) Towel bar end subassembly (see **Fig. #8**)

- (2) Towel bar support (see **Fig. #8**)
- (2) Apron corner piece (see **Fig. #6**)
- (2) Leg base

CYGNET STYLING

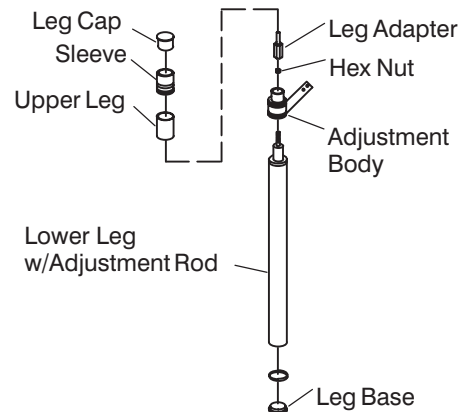


Fig. #3

COLIBRI/BELLAMONTE STYLING (Fig. #4) Leg Assembly Box (K-9718)

- (2) Lower leg with adjustment rod
- (2) Upper leg
- (1) Towel bar (see **Fig. #8**)

Colibri Leg Hardware Box K-9849)/Bellamonte (K-9825)

- (2) Adjustment body
 - (2) Leg base
 - (2) Cone
 - (2) Tee nut
 - (2) Towel bar end subassembly (see **Fig. #8**)
 - (2) Towel bar support (see **Fig. #8**)
 - (2) Apron corner piece (see **Fig. #6**)
- Dome Box (K-9721 or K-9722) Colibri & Bellamonte Only**
- (2) domes (Vitreous dome includes fastener)
 - (2) double-ended fasteners (K-9721 only)

COLIBRI/BELLAMONTE STYLING

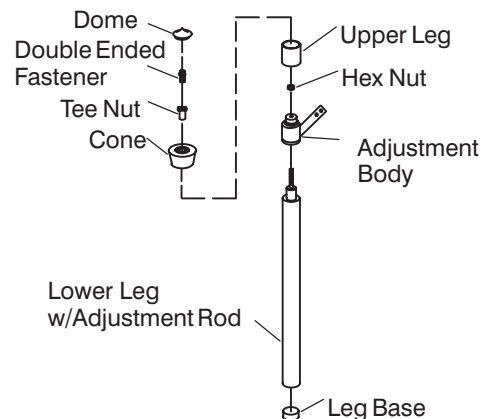


Fig. #4

NOTE: Fasteners for K-9722 are included in fastener pack in top assembly box.

NOTE: If a styling is not shown on this page, there will be instructions packed in the leg styling section carton.

2. TO ASSEMBLE LEGS TO FRAME ON ALL MODELS EXCEPT K-7949 UCCELLO STYLING you will need the following parts:

- (4) #10-32 x 3/8" socket head cap screw (in apron corner piece)
- (2) adjustment body
- (2) lower legs
- (4) #1/4-20 x 1" hex screws (in leg mount group fastener package)
- (4) #1/4 lock washers
- (1) console top frame (in leg mount group fastener package)
- (2) apron corner pieces

NOTE: Place all other parts in a safe place to prevent damage.

3. Refer to Fig. #5. Thread adjustment bodies onto leg rod by using a screwdriver to keep the adjusting rod from turning. Tighten adjusting mechanism completely, then loosen four turns.

NOTE: Screwdriver must be inserted through adjustment body to reach leg shaft.

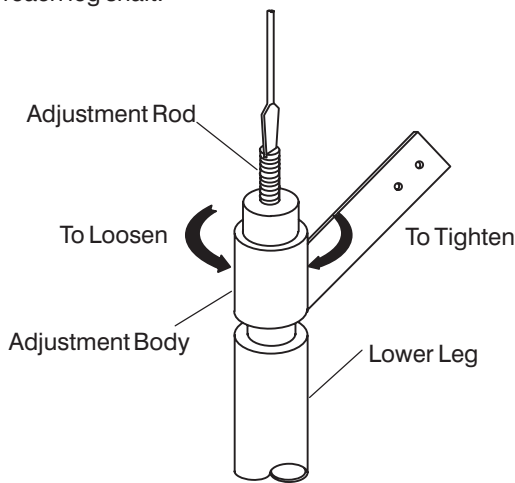


Fig. #5

4. Refer to Fig. #6. Attach apron corner pieces to frame using #10-32x3/8" socket head cap screws. Screws are found in the apron corner pieces and must be removed for use.

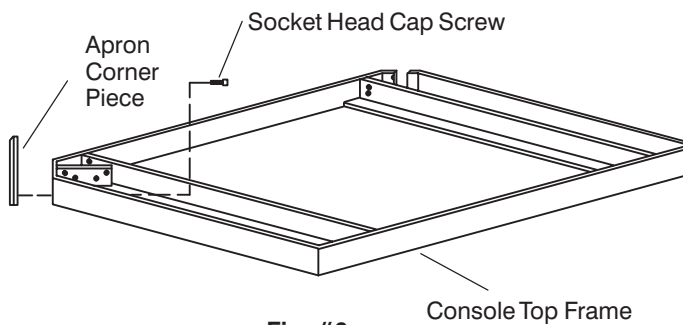


Fig. #6

5. Refer to Fig. #7. Attach the leg assemblies to frame with 1/4-20 x 1" hex screws and #1/4 lock washers. **BE CAREFUL**

NOT TO SCRATCH LEG BRACE OR CORNER PIECE WHEN ASSEMBLING.

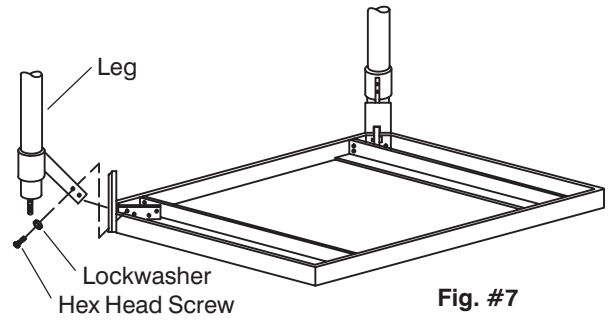


Fig. #7

ASSEMBLE THE TOWEL BAR

1. Refer to Fig. #8. FOR ALL MODELS EXCEPT UCCELLO. For this assembly you will need:

- (2) towel bar supports
- (2) towel bar ends
- (1) towel bar
- (4) #10-24 x 3/4" slotted pan head machine screws found in towel bar supports
- (2) hex jam nut (found in leg mount group fastener package)

2. Refer to Fig. #8. Loosely assemble towel bar supports to the frame as illustrated using the four machine screws. **DO NOT TIGHTEN AT THIS TIME.**

3. Refer to Fig. #8. Loosely assemble the towel bar with the two towel bar ends as shown. Tighten the four machine screws to the console table frame first, then tighten the towel bar ends.

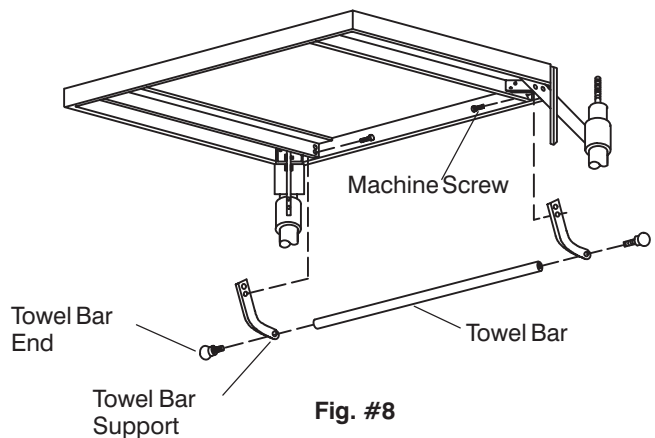


Fig. #8

MOUNTING THE CONSOLE TABLE TO THE WALL

FOR INSTALLING K-7949 UCCELLO STYLING, refer to section **Installing the Uccello Legs.**

1. **FOR ALL MODELS EXCEPT UCCELLO.** Drill a 3/16" hole, 2" deep, into previously installed backing (such as a wall stud) 30" above the finished floor for center mounting hole of console table frame.
2. At this time you will need:
 - (2) leg base
 - (2) vinyl anchor with screw (found in leg mount group fastener package).
 - (2) blind hole spotters (found in leg mount group fastener package).
 - (5) #14 x 2" hex slotted washer head tapping screws (found in leg mount group fastener package).
 - (2) hex jam nuts (found in leg mounting group fastener package)
3. **Refer to Fig. #9.** Assemble leg bases and blind hole spotters to bottoms of legs. Use masking tape to hold blind hole spotters to leg bases. Using one #14 x 2" hex slotted washer head tapping screw (provided), temporarily mount the console table frame and leg assemblies to the wall. Adjust leg rods with screwdriver and level **as shown in Fig. #9.** Level frame by first leveling back edge. Then level the sides and front, rechecking the back edge.
4. **Refer to Fig. #9.** Make sure legs are plumb. Tap leg rods lightly with a hammer so blind hole spotters mark the floor to indicate where holes will be drilled.

NOTE: Blind hole spotters will be used only to mark hole locations for securing leg bases. Remove and discard after marking location.

CAUTION: Protect the tops of the legs when tapping with hammer to prevent damage to adjusting rod.

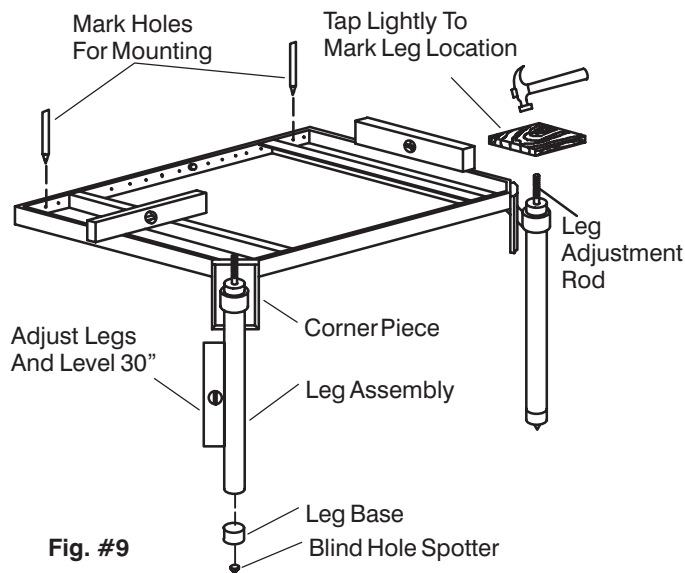
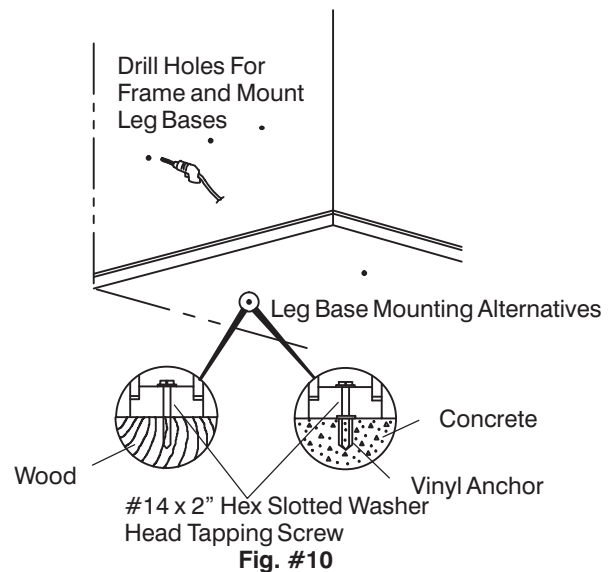


Fig. #9

5. Mark (2) additional holes in backing (stud location) one on each side of the center mounting bolt as far away from the center as possible. **See Fig. #9.** Carefully lift legs from leg bases and remove console table assembly from wall. Remove blind hole spotters from under leg bases and discard.
6. **Refer to Fig. #10.** For wood floor, drill two 3/16" diameter holes, 1-1/2" deep into the floor for leg base screws. Fasten leg bases to the floor as shown using (2) #14 x 2" hex slotted washer head tapping screws. For concrete slab installation, drill two 5/16" diameter holes, 2" deep. Insert anchoring device into holes. Fasten leg bases to the floor as shown using (2) #14 x 2" hex slotted washer head tapping screws.



7. Drill two additional 3/16" holes into backing previously marked on the wall **as illustrated in Fig. #10.**
8. **Refer to Fig. #11.** Reinstall console table assembly to the wall by carefully slipping the legs into the leg bases as shown. Install proper fastening devices (not included) such as lag bolts to secure the frame to the wall. **DO NOT OVERTIGHTEN OR DAMAGE TO THE FRAME MAY RESULT.**

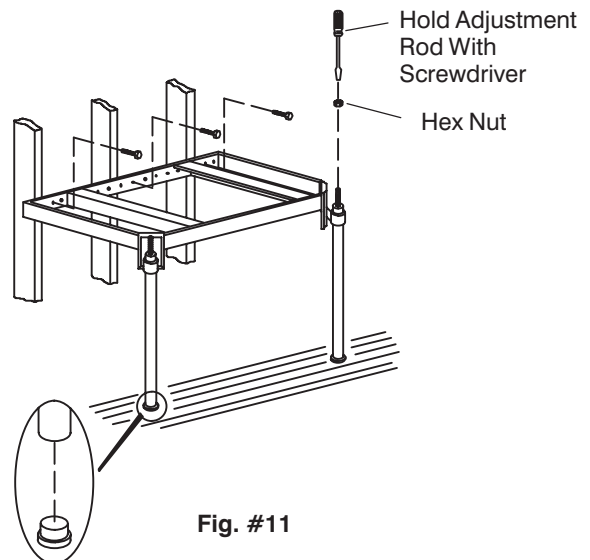
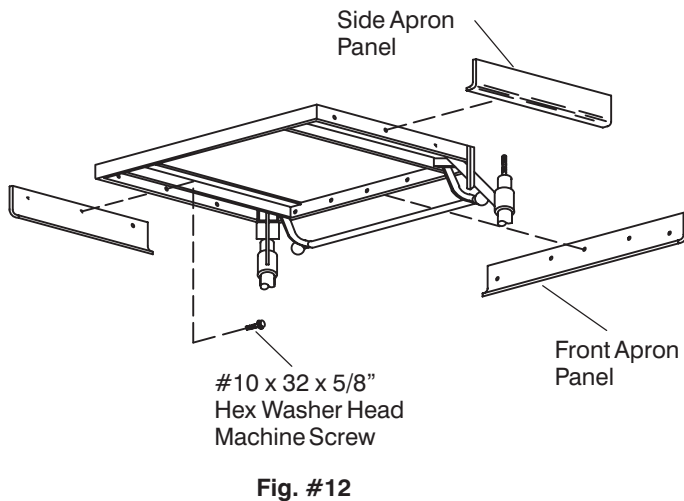


Fig. #11

- Re-level front, sides, and legs. Assemble (2) 1/2-13 hex jam nuts, to legs and adjust legs as necessary by turning adjustment rod. If legs bind during adjustment, loosen brace screws (1/4-20 x 1" hex cap screws to frame and #10-24 x 5/8" socket head cap screw to leg adjustment body) and realign and tighten. After final adjustment, tighten hex nuts firmly against top of adjustment body. Prevent adjusting stud from turning by using a screwdriver.

ATTACH THE SIDE AND FRONT APRON

- At this time you will need:
 - (2) side apron panel
 - (1) front apron panel
 - (10) #10-32 x 5/8" hex washer head machine screw (found in apron/lavatory fastener package).
- Refer to Fig. #12. Assemble the front apron panel, and two side apron panels in place. Use #10-32 x 7/16" hex washer head machine screws to attach aprons to frame as illustrated in Fig. #13.

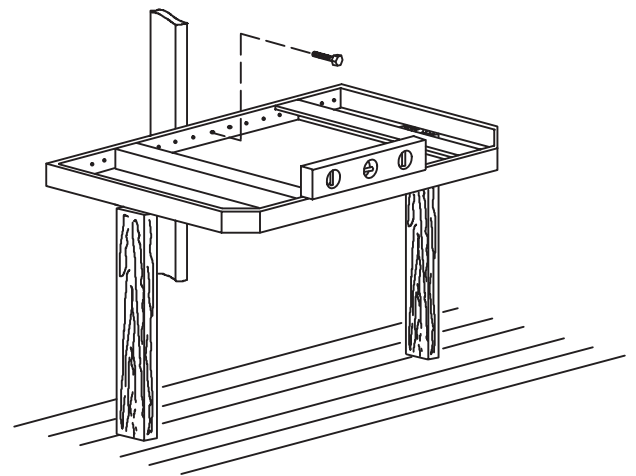


CAUTION: To prevent breakage, do not bend or drop apron pieces.

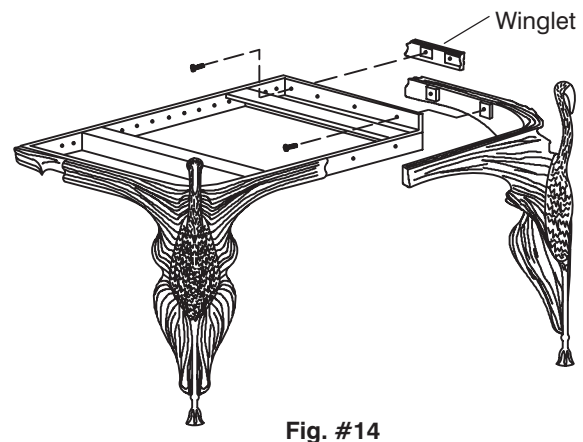
NOTE: Aprons have brass inserts to accept screws.

INSTALLING THE UCCELLO LEGS

- At this time you will need:
 - (3) #14 x 2" hex slotted washer head tapping screw (found in leg mount kit fastener package).
 - (2) Uccello leg.
 - (2) Winglet (1 right, 1 left).
 - (13) #10-32 x 7/16" hex washer head machine screw (found in apron/lavatory fastener package).
- Refer to Fig. #13. Determine the center of the console frame and drill one 3/16" hole, 2" deep, into previously installed backing 30" from the finished floor. Temporarily attach frame to the wall with (1) #14 x 2" hex washer head tapping screw and prop up with boards as shown in Fig. #13. Level the frame as shown.



- Refer to Fig. #14. Install Uccello legs to frame with two screws as shown in Fig. #14. Do not tighten at this time. Install winglets to frame in the same manner using #10-32 x 7/16" screws.



CAUTION: Uccello legs are heavy. Two people should install the legs to the frame to prevent damage or possible injury.

- Drill two 3/16" holes, 2" deep, into studs as far to the left and right of the center of the frame as possible, through the holes provided in the frame.
- Secure frame to wall studs using (3) #14 x 2" hex slotted washer head tapping screws. Tighten all screws on winglets and legs.
- Refer to Installing the Console Table to the Frame to complete the installation.
- Discard aprons shipped with the console table. These aprons are used when legs other than Uccello are used.

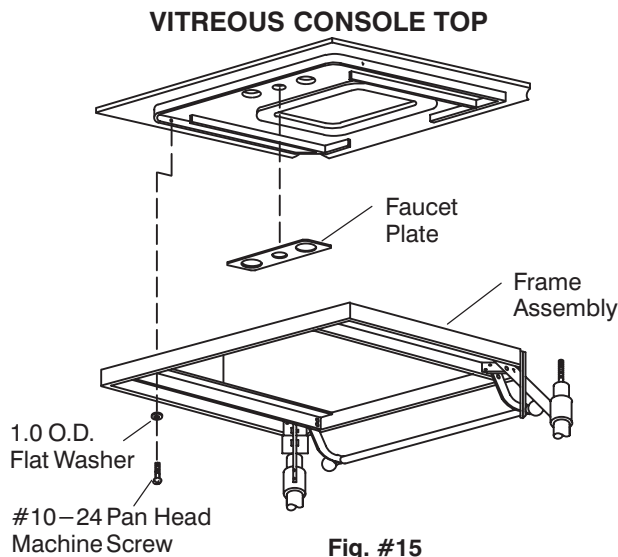
ATTACH THE TABLE TOP TO THE FRAME

Refer to the fastener package chart in the Before You Begin section of this manual when performing the following steps.

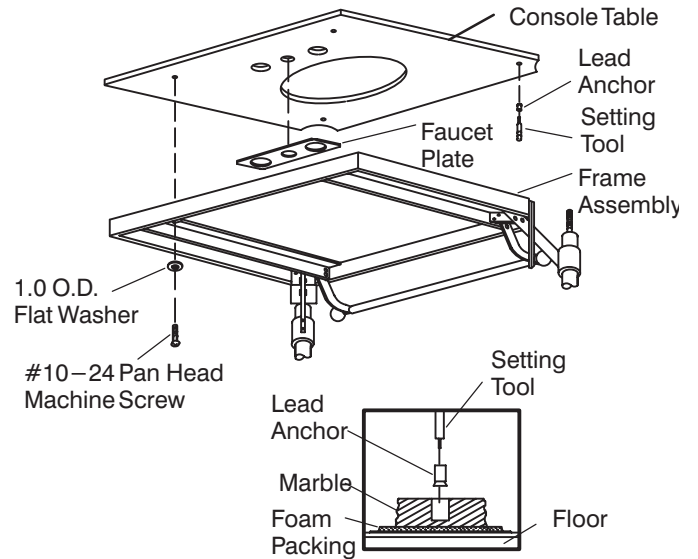
CAUTION: To prevent damage, be careful when handling console tops.

1. **FOR VITREOUS CHINA CONSOLE TABLE**, you will need the following.
 - (1) Vitreous console table top.
 - (4) 1" O.D. flat washer.
 - #10-24 x 3/4" pan head machine screws. (Found in top mount group fastener package)

Refer to Fig. #15. Assemble the console table to the frame by using (4) #10 screws and 1.0 O.D. flat washer in the positions shown.



BLENDED STONE OR MARBLE CONSOLE TOP



2. **FOR BLENDED STONE OR MARBLE VANITY CONSOLE**, you will need the following.

- (1) Marble console table top.
- (4) Lead expansion anchor
- (1) Setting tool
- (4) 1" O.D. flat washer (Found in top mount group fastener package)
- (4) #10-24 x 3/4" pan head machine screws

Refer to Fig. #16. Two people must be used to carefully place the marble top on frame. Visually locate and mark marble holes that align with the frame mounting slots. Remove top and carefully place upside down on foam packing. Use the setting tool supplied to insert lead anchors into holes on underside of console table by tapping the setting tool with a hammer in frame mounting positions shown. Assemble the console table to the frame. Use (4) #10-24 x 3/4" screws and 1.0 O.D. flat washer to complete installation. Use a screw holding or clinching type screwdriver.

INSTALL THE LAVATORY

1. At this time you will need:

- (1) Lavatory – Caxton or Ladena
- (4) Lavatory clips (found in apron/lavatory fastener package).
- (4) #10 flat washer (found in apron/lavatory fastener package).
- (4) #10-24x2" pan head machine screw (found in apron/lavatory fastener package).

2. **Refer to Fig. #17 and inset.** Apply a bead of sealant on the top of the lavatory rim. Loosely assemble (4) clips, (4) #10-24x2" pan head machine screws, and #10 flat washers (found in fastener package) to locations shown with screws provided. Fasten lavatory to the underside of the console top. Swing clips into position and tighten screws to fasten lavatory to top. **DO NOT OVERTIGHTEN.**

NOTE: There are two slots on the clips. Location shown is for the rectangular Ladena lavatory. For installation of oval caxton lavatory use alternate slot on clip.

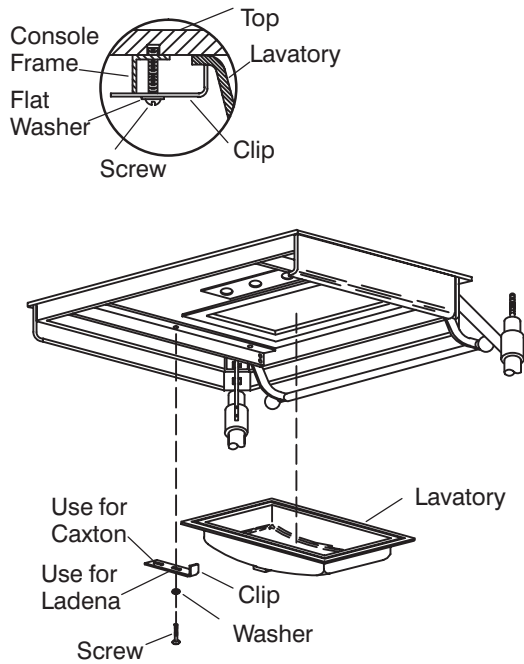


Fig. #17

3. Connect faucet supplies and drain connections.
4. Turn on water supply and check for leaks.

FINISH ASSEMBLING THE LEGS

1. **Refer to Fig. #18.** Follow the proper step for your particular model.

- **CYGNET STYLING.** Install hex extension to adjusting mechanism. Assemble upper leg, sleeve, and leg cap to each hex extension as shown. Hand tighten.
- **IV GEORGES STYLING.** Install the upper leg and leg cap to each leg as shown. Leg cap threads onto adjusting mechanism. Hand tighten.

- **COLIBRI AND BELLAMONTE STYLING.** Slide upper leg over adjusting mechanism. Install cone (15) onto upper leg. Assemble the tee nut (16), double-ended fastener (17), and dome (18) by pressing dome down into the tee nut as far as possible. Insert short end of double-ended fastener in dome. Screw dome, double-ended fastener, and tee nut assembly onto dome until tee nut rests in cone slot. Hand tighten dome/cone assembly onto adjusting mechanism by rotating cone clockwise while applying pressure to the cone.

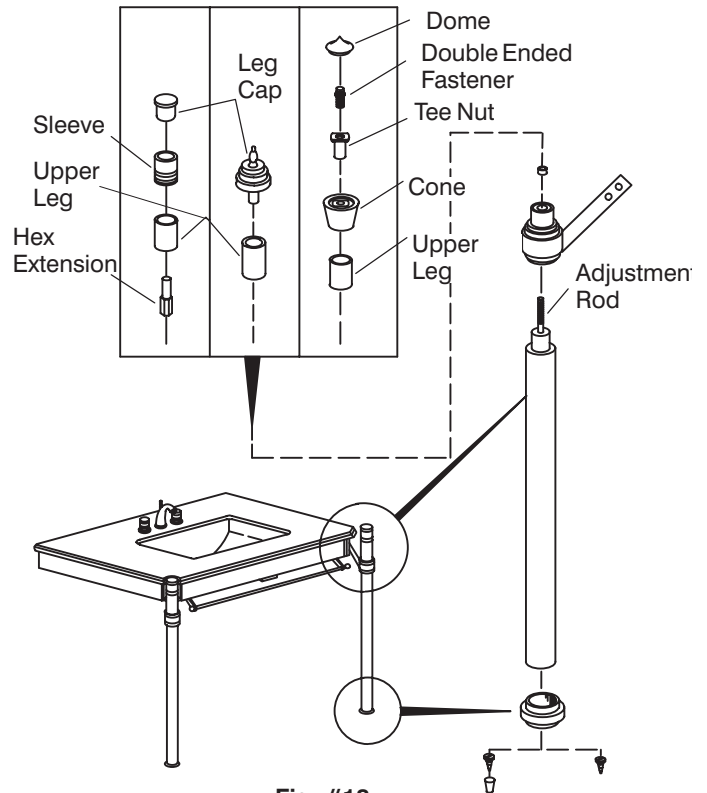


Fig. #18

CLEAN-UP AFTER INSTALLATION

When cleaning up after installation **DO NOT USE ABRASIVE CLEANERS**, as they may scratch and dull the console table surface. Use warm water and one of the liquid detergents to clean the surface.

DO NOT ALLOW CLEANERS CONTAINING PETROLEUM DISTILLATES TO REMAIN IN CONTACT WITH CONSOLE TABLE SURFACES FOR LONG PERIODS OF TIME. Plaster can be removed by scraping with a wood edge. Do not use metal scrapers, or other metal tools. One of the powder type detergents may be used on a damp cloth to provide mild abrasive action to the residual plaster.

TO PREVENT DISCOLORATION, MARBLE TABLES MUST BE WAXED with a non-abrasive paste wax or automotive wax to protect the surface against staining. Wax the marble monthly so that water beads up on the surface.

CLEANING THE LAVATORY AND FITTINGS,

Refer to care and cleaning instructions below.

FOR LAVATORY AND CONSOLE TOP. Water conditions in various parts of the country will determine any extra cleaning attention you give your new console table. A simple routine of daily care will keep your console table and lavatory looking like new.

Kohler Co. does not recommend the use of harsh abrasive cleaners on any of its products. Harsh cleansers, used regularly, will scratch the lavatory and vanity table surfaces and will eventually dull the finish.

CLEANING AND REPAIR FOR UCCELLO LEGS

CLEANING AND WAXING: Clean Uccello legs with a dishwashing detergent, rinse, and dry thoroughly. Wax with furniture paste or spray. Wax monthly to preserve finish.

REPAIR: Minor oxidation may occur. This can be corrected by the cleaning and waxing procedure described above. Use a stiff bristle brush to remove excess wax and calcium build-up if necessary. If serious oxidation occurs due to abrasions or scratching, it may be necessary to have the legs hot-waxed professionally by a service person who specializes in bronze hot wax (possibly a bronze caster.)

