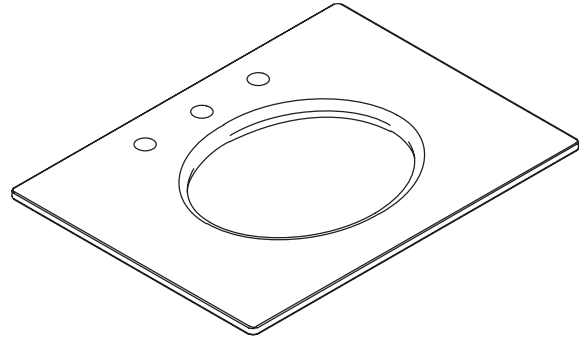


# K-3003, K-3004

### FEATURES

- 29" (73.7cm) x 21-1/2" (54.6cm)
- Shipped cut to specified lavatory and faucet drilling
- Blended stone or marble
- Stone tops by Silestone
- Blended stone is a perfect blend of technology with the resistant material of quartz
- Blended stone has exceptional strength, hardness and durability with engaging color and design
- Marble is a fashionable console material
- 10" (25.4cm) centers



### CODES/STANDARDS APPLICABLE

Specified model meets or exceeds the following:

- None applicable

### COLORS/FINISHES

- K1 Calcatta Golden
- T8 Shell Beach

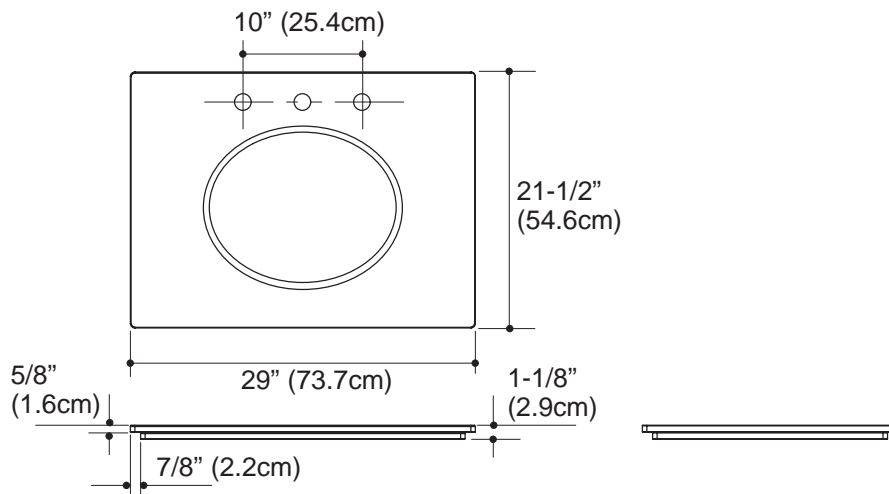
### SPECIFIED MODEL:

Model	Description	Colors	
K-3003	Console top for K-2816-P Iron Flute™ lavatory	<input type="checkbox"/> K1	<input type="checkbox"/> T8
K-3004	Console top for K-2205-G or K-2210-G Caxton™ lavatory	<input type="checkbox"/> K1	<input type="checkbox"/> T8

### PRODUCT SPECIFICATION:

The console tops shall be 29" (73.7cm) in length and 21-1/2" (54.6cm) in width. Console tops shall be shipped cut to specified lavatory and faucet drilling. Console tops shall be blended stone or marble. Console tops shall be made by Silestone. Console tops blended stone shall be a perfect blend of technology with the resistant material of quartz. Console tops blended stone shall have exceptional strength, hardness and durability with engaging color and design. Console top marble shall be a fashionable console material. Console tops shall be Kohler Model K-\_\_\_\_\_-\_\_\_\_\_.

# CATTAILS™ AND LOTUS POOL™



14

## PRODUCT DIAGRAM