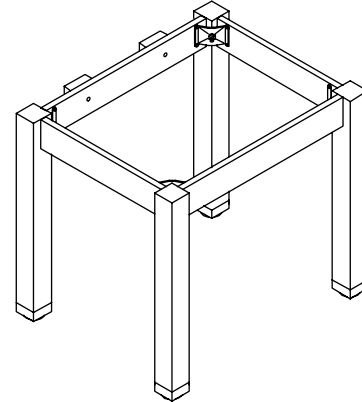


Features

- Solid select hard maple
- Vessel and console heights for ease of use
- Modular system allows creativity and flexibility with design layout
- Aluminum feet
- 22-3/4" (57.8 cm) x 17-3/4" (45.1 cm) x 28" (71.1 cm) (K-3100)
- 34-3/4" (88.3 cm) x 17-3/4" (45.1 cm) x 28" (71.1 cm) (K-3102)
- 34-3/4" (88.3 cm) x 20-3/4" (52.7 cm) x 32" (81.3 cm) (K-3103)

TABLE FRAME K-3100 ALSO K-3102, K-3103



Codes/Standards Applicable

Specified model meets or exceeds the following:

- None applicable

Colors/Finishes

- F2: Black Forest

Accessories

- T6: Ironstone White
- T7: Solar Black
- T8: Shell Beach Blended Stone
- ST: Stainless Steel
- SP: Satin Chrome/Polished Chrome

Specified Model

Model	Description	Colors/Finishes
K-3100	Table frame, 22-3/4" (57.8 cm) x 17-3/4" (45.1 cm) x 28" (71.1 cm)	□F2
K-3102	Table frame, 34-3/4" (88.3 cm) x 17-3/4" (45.1 cm) x 28" (71.1 cm)	□F2
K-3103	Table frame, 34-3/4" (88.3 cm) x 20-3/4" (52.7 cm) x 32" (81.3 cm)	□F2

Recommended Accessories		Colors/Finishes			
K-3040N*	Tabletop, no faucet drilling, 24" (61 cm) x 19" (48.3 cm)	□T6	□T7	□T8	□ST
K-3042N*	Tabletop, no faucet drilling, 36" (91.4 cm) x 19" (48.3 cm)	□T6	□T7	□T8	□ST
K-3043N*	Tabletop, no faucet drilling, 36" (91.4 cm) x 22" (55.9 cm)	□T6	□T7	□T8	□ST

* Specify tabletop model number with variation when ordering.

Additional Recommended Accessories table is on page 2.

Product Specification

The solid select hard maple table frame shall be (K-3100) 22-3/4" (57.8 cm) in length, 17-3/4" (45.1 cm) in width, and 28" (71.1 cm) in height; (K-3102) 34-3/4" (88.3 cm) in length, 17-3/4" (45.1 cm) in width, and 28" (71.1 cm) in height; or (K-3103) 34-3/4" (88.3 cm) in length, 20-3/4" (52.7 cm) in width, and 32" (81.3 cm) in height. The table frame shall have aluminum feet. The table frame shall be modular, allowing for creativity and flexibility with design layout. The table frame shall be Kohler Model K-____-____.

TELLIEUR®

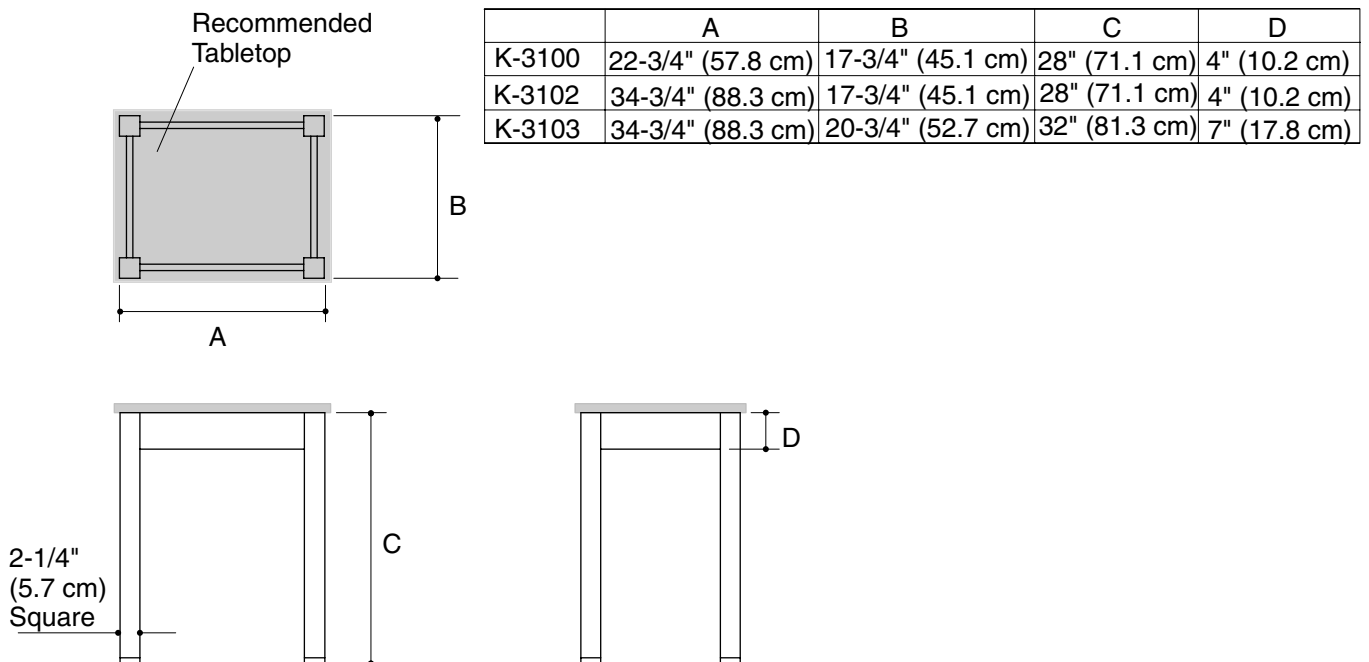
Recommended Accessories		Colors/Finishes			
K-3043S*	Tabletop with single-hole faucet drilling, 36" (91.4 cm) x 22" (55.9 cm)	<input type="checkbox"/> T6	<input type="checkbox"/> T7	<input type="checkbox"/> T8	<input type="checkbox"/> ST
K-3044N*	Tabletop, no faucet drilling, 36" (91.4 cm) x 19" (48.3 cm) for offset lavatory placement on left side	<input type="checkbox"/> T6	<input type="checkbox"/> T7	<input type="checkbox"/> T8	<input type="checkbox"/> ST

* Specify tabletop model number with variation when ordering.

Optional Accessories		Colors/Finishes	
K-3114-00	Shelf for K-3100 table frame, 22-3/4" (57.8 cm) x 17-3/4" (45.1 cm)	<input type="checkbox"/> F2	
K-3114-02	Shelf for K-3102 table frame, 34-3/4" (88.3 cm) x 17-3/4" (45.1 cm)	<input type="checkbox"/> F2	
K-3114-03	Shelf for K-3103 table frame, 34-3/4" (88.3 cm) x 20-3/4" (52.7 cm)	<input type="checkbox"/> F2	
K-3112-00	Towel bar for K-3100 and K-3102 table frames, 11-3/4" (29.8 cm)	<input type="checkbox"/> SP	
K-3112-01	Towel bar for K-3103 table frame, 14-3/4" (37.5 cm)	<input type="checkbox"/> SP	

Installation Notes

Install this product according to the installation guide.



Product Diagram