

### Features

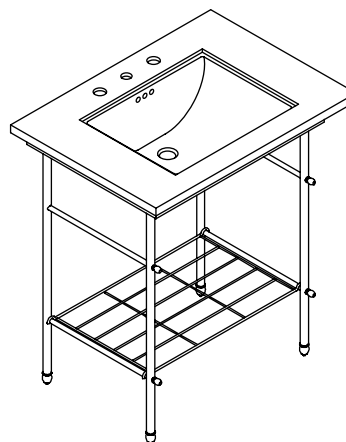
- Fireclay
- Stately design
- With overflow
- 8" (20.3 cm) centers (-8) or single-hole (-1)
- Console table legs with wire rack
- 30" (76.2 cm) x 21-3/4" (55.2 cm) x 34" (86.4 cm)

### Codes/Standards Applicable

Specified model meets or exceeds the following:

- ASME A112.19.9M
- IAPMO/UPC

## LAVATORY BASIN WITH CONSOLE TABLE LEGS K-6880 ALSO K-2269



### Colors/Finishes

- 0: White
- CP: Polished Chrome
- Other: Refer to Price Book for additional colors/finishes

### Accessories:

- CP: Polished Chrome
- Other: Refer to Price Book for additional colors/finishes

### Specified Model

Model	Description	Colors/Finishes	
K-6880	Console table legs*	<input type="checkbox"/> CP	<input type="checkbox"/> Other _____
K-2269-8	Lavatory with 8" (20.3 cm) centers	<input type="checkbox"/> 0	<input type="checkbox"/> Other _____
K-2269-1	Lavatory with single hole	<input type="checkbox"/> 0	<input type="checkbox"/> Other _____

\* Lavatory required for console table legs.

Recommended Accessories			
K-7605-P	Lavatory supplies, 3/8" (pair)	<input type="checkbox"/> CP	<input type="checkbox"/> Other _____
K-8998	P-Trap	<input type="checkbox"/> CP	<input type="checkbox"/> Other _____

### Product Specification

The console table with lavatory basin shall be 30" (76.2 cm) in length, 21-3/4" (55.2 cm) in width, and 34" (86.4 cm) in height. Lavatory basin shall be made of fireclay. Lavatory shall feature stately design. Lavatory basin shall have 8" (20.3 cm) centers (-8) or single hole (-1). Console table shall have metal legs with wire rack. Lavatory basin shall have overflow. Lavatory basin shall be Kohler Model K-2269-\_\_\_\_\_-\_\_\_\_\_- and console table legs shall be Kohler Model K-6880-\_\_\_\_\_.

# MEMOIRS®

## Technical Information

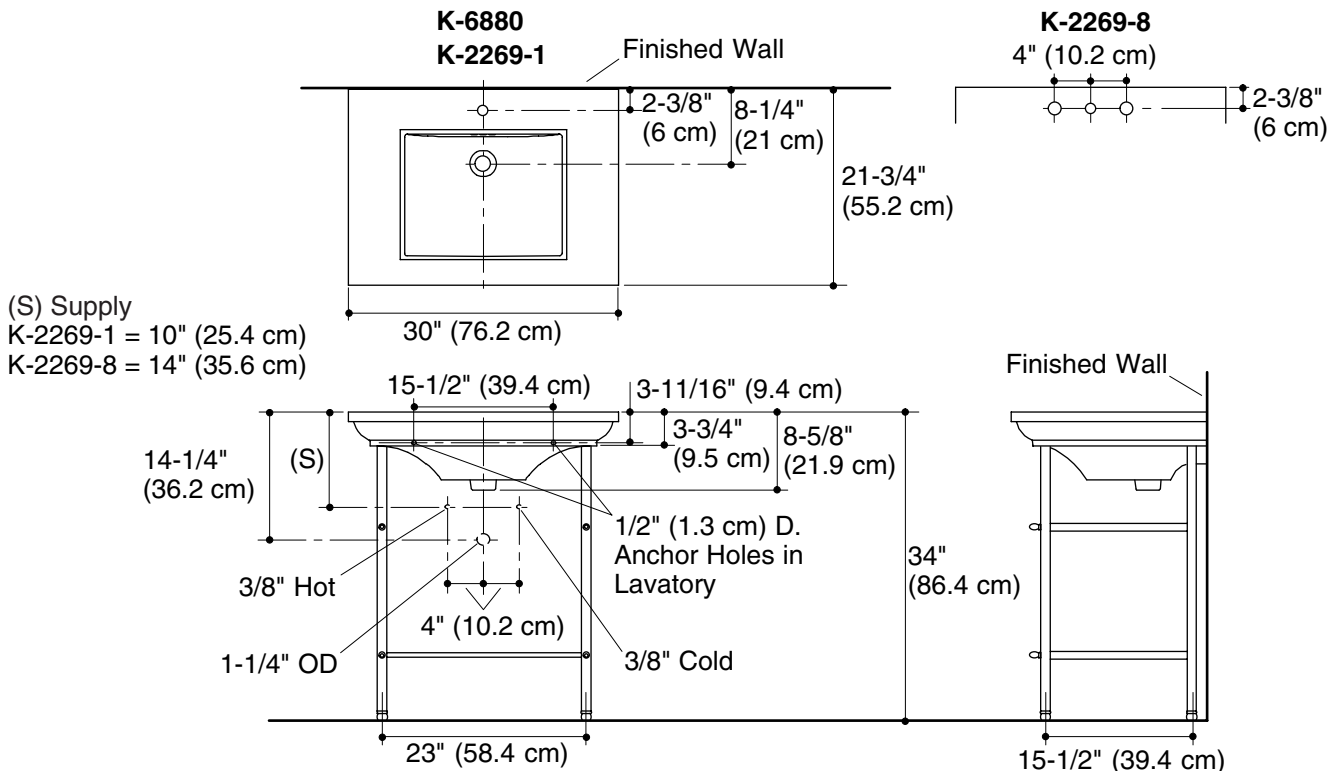
Fixture*:	
Basin area	18" (45.7) x 14" (35.6 cm)
Water depth	5" (12.7 cm)
Drain hole	1-3/4" (4.4 cm) D.
*Approximate measurements for comparison only.	

Holes	K-2269-1	K-2269-8
Spout	1-3/8" (3.5 cm) D.	1-3/16" (3 cm) D.
Faucet	NA	1-7/16" (3.7 cm) D.
* Approximate measurements for comparison only.		

Included components:	
Lavatory accessory pack	52204
Hanger bracket	64839
Wire rack	84739

## Installation Notes

Install this product according to the installation guide.



## Product Diagram