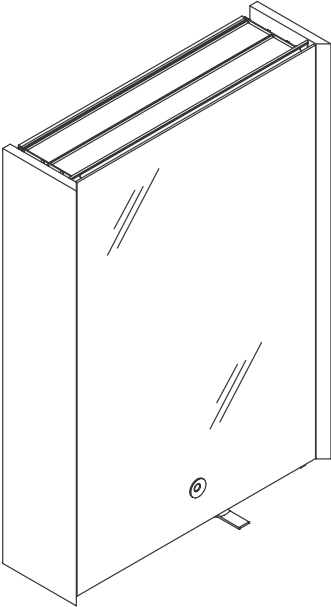



# Homeowners Guide


## Mirrored Cabinets



# SAVE THESE INSTRUCTIONS

 **CAUTION: Risk of personal injury and product damage.** Mirror cabinets are very heavy. It is recommended that cabinets be lifted with assistance.

 **CAUTION: Risk of personal injury and product damage.** When installing cabinets with Laminar flow faucet, do not stand directly in front of faucet when turning on supplies. Air may be trapped in lines.

 **CAUTION: Risk of personal injury and product damage.** When installing cabinets with Laminar flow faucet, do not stand directly in front of faucet when turning on supplies. Air may be trapped in lines.

## Table of Contents

Thank You .....	2
Care and Cleaning .....	2
Your Kohler Product .....	3
Servicing the Faucet Cartridge .....	4
Service Parts	
K-3091 Mirrored Cabinet .....	5
Limited One-Year Warranty - U.S.A. and Canada ..	6
Faucet Limited One-Year Warranty - U.S.A. and Canada .....	7
One-Year Warranty - Mexico .....	8
Faucet One-Year Warranty - Mexico .....	9

## Thank You For Choosing Kohler Company

Thank you for choosing The Bold Look of Kohler with your purchase of your bathroom fixture(s). Kohler craftsmanship offers you a rare combination of proven performance and graceful sophistication that will satisfy you for years to come. The dependability and beauty of your new Kohler product will surpass your highest expectations. We're very proud of our products here at Kohler Company, and we know you will be too.

Please take a few minutes to study this Homeowners Guide before you use your new Kohler product. Pay special attention to the Care and Cleaning instructions on this page.

All information in this manual is based upon the latest product information available at the time of publication. At Kohler, we constantly strive to improve the quality of our products. We therefore reserve the right to make changes in product characteristics, packaging, or availability at any time without notice.

## Care and Cleaning Instructions

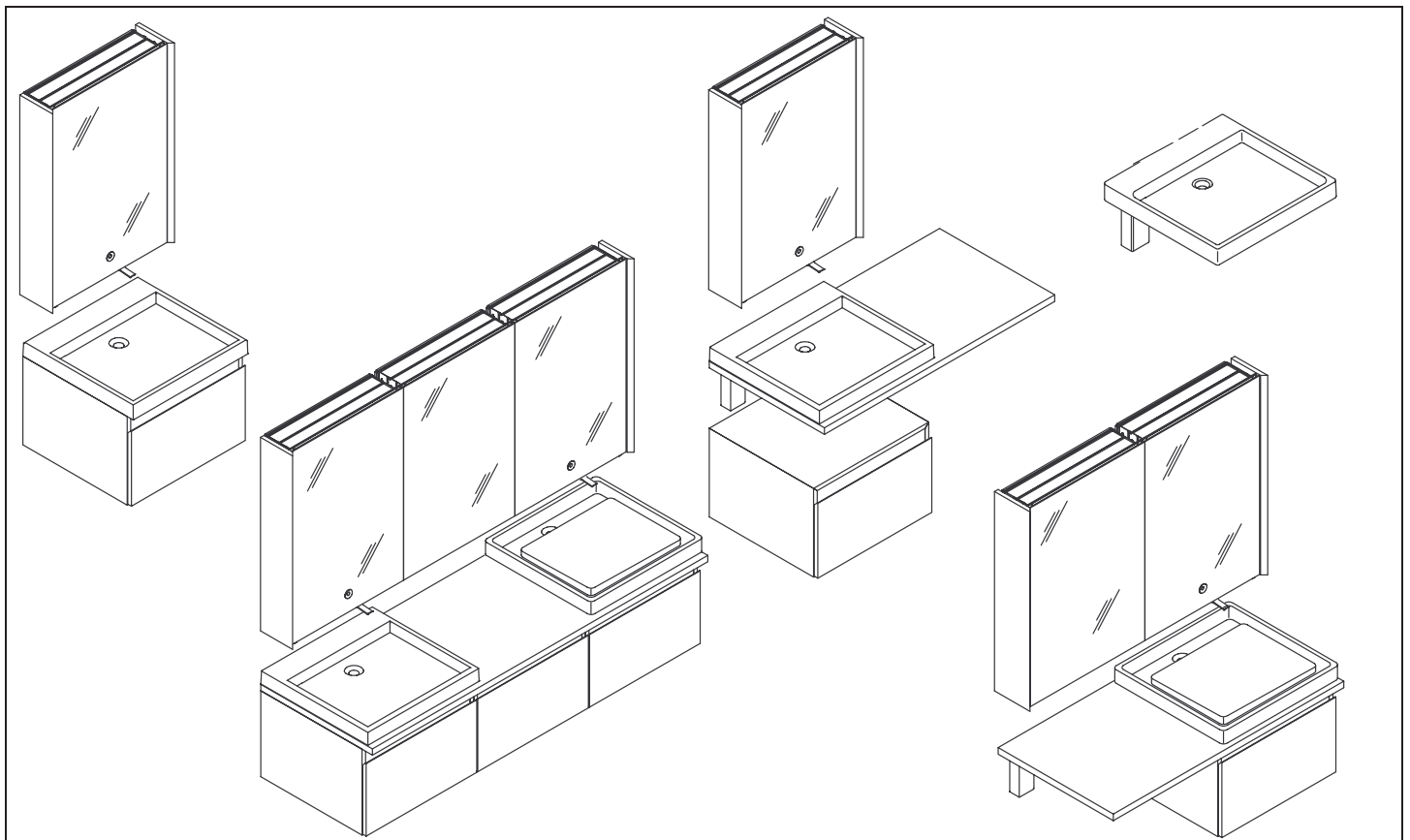
### Cleaning Your Mirrored Cabinet

Use a quality glass cleaner and a clean cloth to clean the mirror surface. Carefully follow the glass cleaner manufacturer's instructions. Do not allow glass cleaners to remain in contact with wood surfaces.

### Cleaning Veneered Hardwood Surfaces

One of the advantages of veneered hardwood is the ease of cleaning. As with any smooth surface. **AVOID THE USE OF ABRASIVE CLEANERS** as they will scratch the surface.

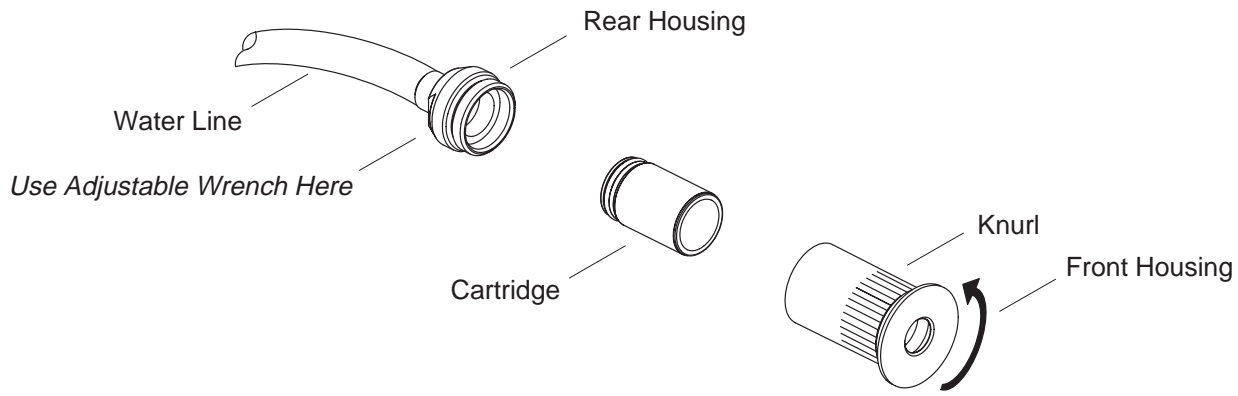
To keep the finish of your wood surfaces pristine protect them from direct sunlight and keep away from heat sources. Dust regularly with a cloth dampened with water, always rubbing in the direction of the wood grain. For spills use a mild non-alkaline soap solution, then use clear water to wipe the surface clean. Keep all solvents, alcohol, nail polish, and polish remover from coming in contact with your wood surfaces and avoid oily waxes or polishes.



## Your Kohler Product

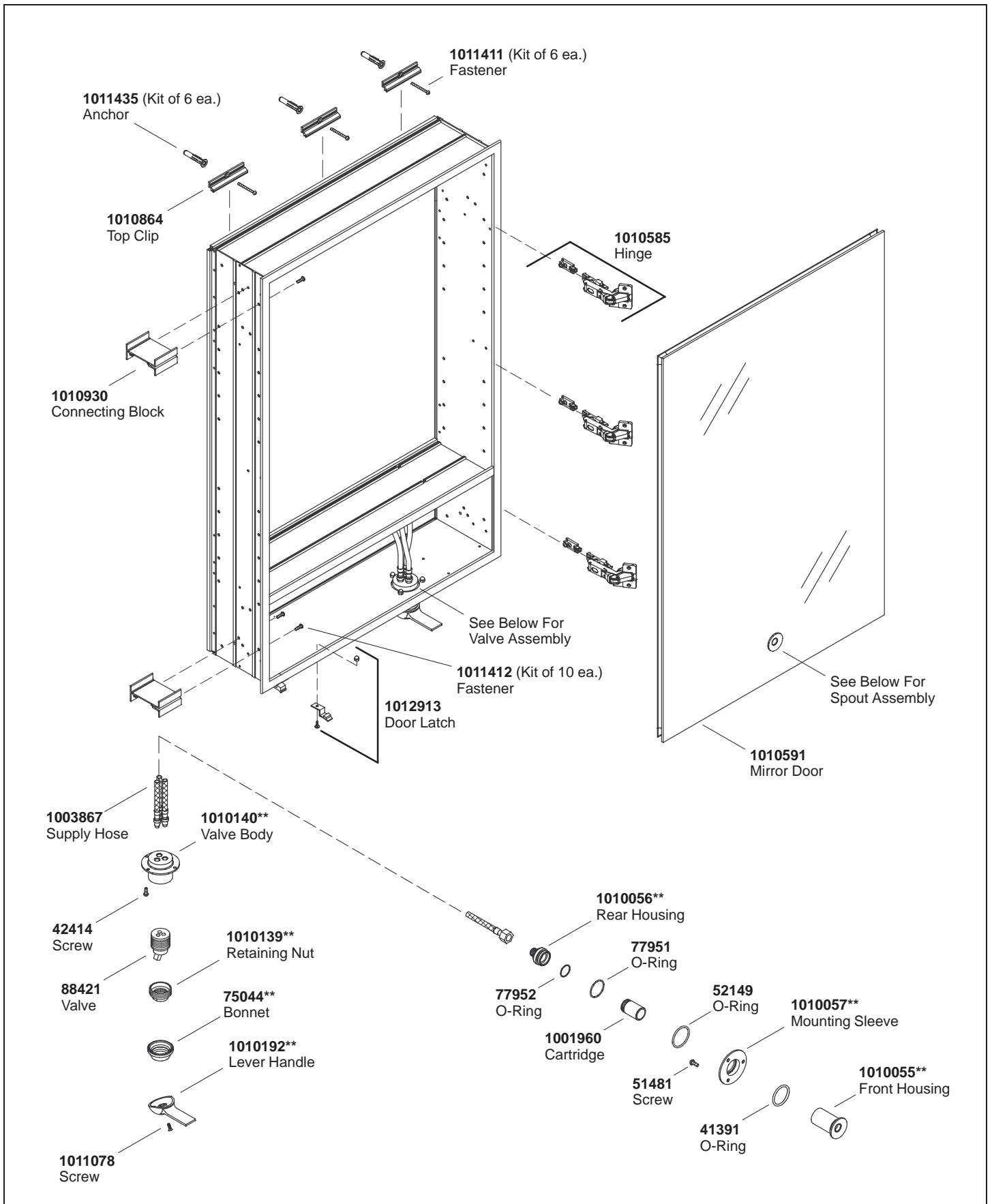
Your Purist furniture, countertops and lavatories are designed to be functional and attractive, as well as adaptive to your room and wall space. Your Purist components can be arranged into almost endless combinations to complement your style. Some example configurations are illustrated above. Purist components consist of one or more of the following:

- **Mirrored Cabinet** - may house a fountain-action Laminar faucet that projects a flume of water into a lavatory. Cabinets are available with slide-out side shelving, swinging front doors, stationary faucet component access doors, electrical outlets, and/or adjustable shelving, and may be joined together in the combination that best suits your needs.
- **Wall-Mounted Cabinet and Vanity** - under-counter, under-lavatory, or stand-alone, cabinets and vanities are designed to hang suspended above the floor. Cabinets and vanities are made of hardwood veneers and come equipped with storage drawers on high quality slides.
- **Natural Lavastone Countertop** - made of dense French lavastone, the natural grey surface features natural variations, markings, and quartz deposits. Countertops are bracketed to the wall and/or rest on wall-mounted cabinets and vanities.
- **Above-Counter Lavatory** - available as wet surface or wading basin with an optional open or closed-bottom porcelain hand basin. Fireclay lavatory may be positioned on wall-mounted brackets, a wall-mounted vanity, or a lavastone countertop.



## Faucet Cartridge Cleaning or Replacement

- The cartridge in the faucet may require periodic removal for cleaning or replacement.
- Servicing requires an adjustable wrench.
- Push the back of the Laminar spout assembly forward to slide it out of the front of the mirror. To avoid damage to the mirror be careful not to push the spout completely out of the mirror without supporting it as it slides forward.
- Use an adjustable wrench to loosen the two halves of the spout assembly. Place wrench on rear part of the assembly, hold onto the knurl on the front housing, and turn counterclockwise. Do not disconnect the water line on the back of the spout assembly. A small amount of water will still be in the hose and cartridge area.
- Remove the old cartridge and discard. Replace with a new Kohler cartridge.
- Re-assemble the spout body. Make sure there is no gap between the front and rear housings.
- Re-install the spout in the mirror by sliding the spout assembly back through the mounting hole until it rests tightly against the mirror. Be careful not to hit the mirror with any metal objects.
- Close the door while making sure the hoses do not kink when they are tucked into the lower compartment.



\*\*Finish/color code must be specified when ordering.

## Service Parts

## Limited One-Year Warranty – USA and Canada

Kohler plumbing fixtures and fittings are warranted free of manufacturing defects.

Kohler Co. or Kohler Ltd. will, at its election, repair, replace, or make appropriate adjustment where Kohler Co. or Kohler Ltd. inspection discloses any such defects occurring in normal usage within one year after installation.

**Kohler Co. and Kohler Ltd. are not responsible for installation or removal costs.**

To obtain warranty service, contact Kohler Co. or Kohler Ltd. either through your Dealer or Plumbing Contractor, or by writing directly to the following address, or by calling **1-800-4-KOHLER** from within the U.S.A. or **1-800-964-5590** from within Canada.

United States Residents:

Kohler Co., Customer Service Dept., 444 Highland Drive, Kohler, Wisconsin, 53044, U.S.A.

Canada Residents:

Kohler Ltd., Customer Service Dept., 107 Woodbine Downs Blvd., Unit 12, Etobicoke, Ontario, Canada, M9W 6Y1.

**Implied warranties, including that of merchantability or fitness for a particular purpose, are expressly limited in duration to the duration of this warranty. Kohler Co. and Kohler Ltd. disclaim any liability for special, incidental, or consequential damages.**

Some states/provinces do not allow limitations on how long an implied warranty lasts or the exclusion or limitation of special, incidental, or consequential damages, so these limitations and exclusions may not apply to you. This warranty gives you specific legal rights. You may also have other rights which vary from state/province to state/province.

This limited warranty provides specific legal rights as they apply within the U.S.A. and Canada, and other rights may be available, but may vary from country to country.

This is our exclusive written warranty.

KOHLER CO., KOHLER, WISCONSIN 53044 U.S.A.

KOHLER LTD., ETOBICOKE, ONTARIO M9W 6Y1

## Faucet Limited One-Year Warranty – USA and Canada

Kohler Co./Kohler LTD. warrant its faucets manufactured after January 1, 1997 to be leak and drip free during normal residential use for as long as the original consumer purchaser owns his/her home.\* If the faucet should leak or drip during normal residential use, Kohler will mail to the consumer purchaser, free of charge, the cartridge necessary to put the faucet in good working condition.

Kohler Co./Kohler Ltd. also warrant all other aspects of its faucets, except gold finishes, to be free of defects in material and workmanship during normal residential use for as long as the original consumer purchaser owns his/her home. If a defect is found in normal residential use, Kohler Co./Kohler Ltd. will, at its election, repair, provide a replacement part or product, or make appropriate adjustment. Damage to a product caused by accident, misuse, or abuse is not covered by this warranty. Improper care or cleaning will void the warranty. Proof of purchase (original sales receipt) must be provided to Kohler with all warranty claims. Kohler Co./Kohler Ltd. is not responsible for labor charges, installation, or other incidental or consequential costs. In no event shall the responsibility of Kohler Co./Kohler Ltd. exceed the purchase price of the faucet.

If the faucet is used commercially, or is polished gold finish, Kohler Co./Kohler Ltd. warrant that the faucet will be free of defects in material and workmanship for one (1) year from the date the product is installed. All other terms of this warranty other than duration shall apply.

To obtain warranty service, contact your Dealer, Plumbing Contractor, Home Center, or Internet E-tailer. Please be sure to provide all pertinent information regarding your claim, including a complete description of the problem, the product, model number, color, finish, the date the product was purchased, and from whom the product was purchased. Also include the name of your contractor and your original invoice.

For other information, or to obtain the name and address of the service and repair facility nearest you, write Kohler Co. or Kohler Ltd., or call 1-800-4-KOHLER from within the USA or 1-800-964-5590 from within Canada.

For other information, or to obtain the name and address of the service and repair facility nearest you, write Kohler Co. or Kohler Ltd., or call 1-800-4-KOHLER from within the USA or 1-800-964-5590 from within Canada.

United States Residents: Kohler Co., Attn: PNA Customer Service, 444 Highland Drive, Kohler, WI 53044 USA  
Canada Residents: Kohler Ltd., Attn: PNA Customer Service, 107 Woodbine Downs Blvd., Unit 12, Etobicoke, Ontario, Canada, M9W 6Y1

**The foregoing warranties are in lieu of all other warranties, express or implied, including but not limited to merchantability and fitness for a particular purpose.**

**Seller disclaims any liability for special, incidental, or consequential damages.** Some states/provinces do not allow limitations of how long an implied warranty lasts or the exclusion or limitation of special, incidental, or consequential damages, so these limitations and exclusions may not apply to you. This warranty gives you specific legal rights. You may also have other rights which may vary from state/province to state/province. This warranty is to the original consumer purchaser only and excludes product damage due to installation error, product abuse, or product misuse, whether performed by a contractor, service company, or yourself.

This is Kohler Co.'s/Kohler Ltd.'s exclusive written warranty.

Always use genuine Kohler replacement parts to ensure proper function and long-lasting reliability and service.

\* Kohler's Lifetime Limited Warranty applies to all faucets manufactured after January 1, 1997 except that with respect to the following, Kohler's One-Year Limited warranty applies: Trend® faucets, MasterShower Tower, polished gold finishes, all items within the "Fixture Related" section of the Kohler Faucets Price Book, drains, duostrainers, soap/lotion dispensers, and faucets used in commercial settings.

## One-Year Warranty – Mexico

KOHLER CO.

It is recommended that at the time of purchase, you verify that all accessories and components are complete in this package.

This Kohler product is warranted to be free of defects in material and workmanship for one (1) year from the date of purchase as shown on the invoice or receipt.

Kohler Co. will only service its commercialized products through its authorized distributors.

To obtain warranty service, please present the invoice and corresponding warranty.

Through its authorized distributors, Kohler Co. promises to repair the defective product or provide a new replacement or an equivalent model (in those cases that the model has been discontinued) when the product is beyond repair, without any charge to the consumer.

The time of repair will not exceed six (6) weeks commencing on the date the product is received.

It is recommended that the consumer save the invoice or receipt as additional protection, as it may substitute the warranty in the case that there is a discrepancy in the validity of the warranty.

### EXCEPTIONS & RESTRICTIONS

The Warranty will not be valid in the following cases:

When the product is not operated in accordance with the instructions concerning use and operation set forth in the owner's manual or installation instructions, and when the recommendations and warnings included are not observed.

When the product has been modified or dismantled partially or totally; or has been used in a negligent fashion and as a consequence has suffered damages attributable to the consumer, individual, or hardware not authorized by Kohler Co.

This warranty does not cover the damages as a result of disaster such as fire or acts of God, including flooding, earthquake, or electric storms, etc.

To obtain a list of distributors in your area where you can exercise your rights under this warranty, please call 001-877-680-1310.

KOHLER CO., KOHLER, WI 53044 U.S.A.

### IMPORTER:

INTERNACIONAL DE CERÁMICA, S.A. DE C.V.

AV. CARLOS PACHECO NO. 7200

CHIHUAHUA, CHIH., MEXICO C.P. 31060



## Faucet One-Year Warranty – Mexico

KOHLER CO.

At the time of purchase, we recommend you check the contents of the box to see that it is complete.

Kohler Co. warrants its faucets for a term of one year, and more than one year, as long as the original consumer purchaser owns his/her home. If the faucet is used commercially, Kohler warrants the product just for one year term.

Kohler Co. warrants its faucet accessories and fittings for a term of one year.

Kohler warrants leak, drip, and all other aspects of the faucet and faucet accessories, except gold finish, to be free of defects in material and workmanship during normal use.

The term of this warranty will commence on the date the product is delivered to the consumer.

If you believe that you have a warranty claim, it is important to consider the following:

1. Kohler Co. will only service its commercialized product through its authorized distributors.
2. To obtain warranty service, please present the warranty and the corresponding product at the time of the claim.
3. Kohler, through its distributors, will at its election, repair, provide a replacement part or product, or make appropriate adjustment to the product.
4. The time for the repair shall not exceed six (6) weeks commencing on the date the product is received.
5. We recommend retaining your receipt or invoice as an additional protection to substantiate your entitlement to the warranty.

### EXCEPTIONS & RESTRICTIONS

The Warranty shall not be valid in the following cases:

1. If the product was not operated in accordance with the manual of use and operation set forth in the owner's manual and when the recommendations and warnings included are not observed.
2. When the product has been modified or dismantled totally or partially; or have been used in a negligent fashion and as a consequence has suffered damages attributable to the consumer or hardware not authorized by Kohler.
3. This warranty does not cover the damages as a result of disaster such as fire or acts of God including flooding, earthquake, or electric storms, etc.
4. Kohler is not responsible for labor charges, installation, or other consequential costs. In no event shall the responsibility of Kohler exceed the purchase price of the product.

To obtain a list of distributors in your area where you can exercise your rights under this warranty, and to purchase parts or components, please call 001-877-680-1310.

KOHLER CO., KOHLER, WI 53044 U.S.A.

### IMPORTER:

INTERNACIONAL DE CERÁMICA, S.A. DE C.V.

AV. CARLOS PACHECO NO. 7200

CHIHUAHUA, CHIH., MEXICO C.P. 31060


TEL: 52 (14) 29-11-11


# Guía del usuario

## Gabinetes con espejo

### GUARDE ESTAS INSTRUCCIONES

 **PRECAUCIÓN: Riesgo de lesiones personales y daños al producto.** Los gabinetes con espejo son muy pesados. Se sugiere levantar los gabinetes con ayuda.

 **PRECAUCIÓN: Riesgo de lesiones personales y daños al producto.** Si se instala la grifería Laminar Flow, se sugiere no pararse frente al surtidor al abrir los suministros. Puede que haya aire en las tuberías.

 **PRECAUCIÓN: Riesgo de lesiones personales y daños al producto.** Si se instala la grifería Laminar Flow, se sugiere no pararse frente al surtidor al abrir los suministros. Puede que haya aire en las tuberías.

#### Contenido

Gracias .....	10
Cuidado y Limpieza .....	10
Su producto Kohler .....	11
Mantenimiento del cartucho de la grifería .....	12
Piezas de Repuesto	
K-3091 Gabinete con espejo .....	13
Garantía limitada de un año - Estados Unidos y Canadá .....	14
Garantía limitada de un año - Estados Unidos y Canadá .....	15
Garantía de un año - México .....	16
Garantía de un año para la grifería - México .....	17

#### Gracias por elegir los productos de Kohler

Gracias por elegir la línea de productos Kohler, a través de la compra de este mueble sanitario. La artesanía de Kohler le ofrece una rara combinación de rendimiento comprobado y agraciada elegancia capaces de satisfacer sus exigencias durante muchos años. La seguridad y belleza de su nuevo producto de Kohler sobrepasarán sus mayores expectativas. En Kohler, nos sentimos orgullosos de nuestros productos y sabemos que usted lo estará también.

Por favor, tome unos minutos para leer esta Guía del Usuario antes de emplear su nuevo producto de Kohler. Preste atención especial a las instrucciones de cuidado y limpieza en esta página.

Toda la información contenida en las instrucciones está basada en la información más reciente disponible al momento de su publicación. En Kohler, nos esforzamos constantemente por mejorar la calidad de nuestros productos. Por lo tanto, Kohler se reserva el derecho de efectuar cambios en las características del producto, empaque o disponibilidad en cualquier momento, sin previo aviso.

#### Instrucciones de cuidado y limpieza

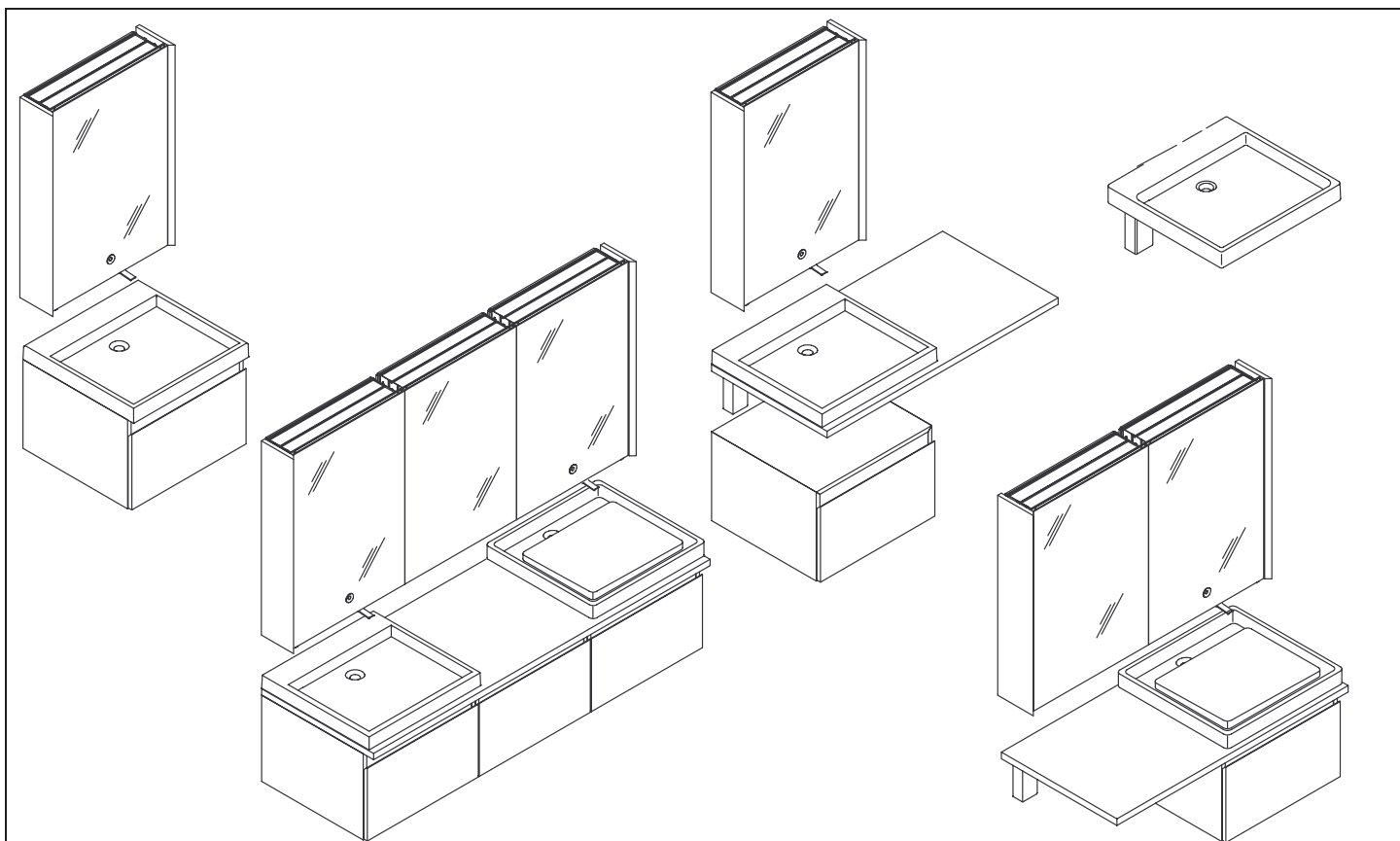
##### Limpieza del gabinete con espejo

Utilice un limpiador para vidrios de alta calidad y un paño para limpiar la superficie del espejo. Asegúrese de seguir las instrucciones del fabricante del limpiador para vidrios. No permita que los limpiadores para vidrio permanezcan en contacto con las superficies de madera.

##### Limpieza de superficies de madera enchapada

La fácil limpieza constituye una de las ventajas de poseer accesorios de madera enchapada. Al igual que con toda superficie lisa EVITE EL USO DE LIMPIADORES ABRASIVOS, pues pueden rayar la superficie.

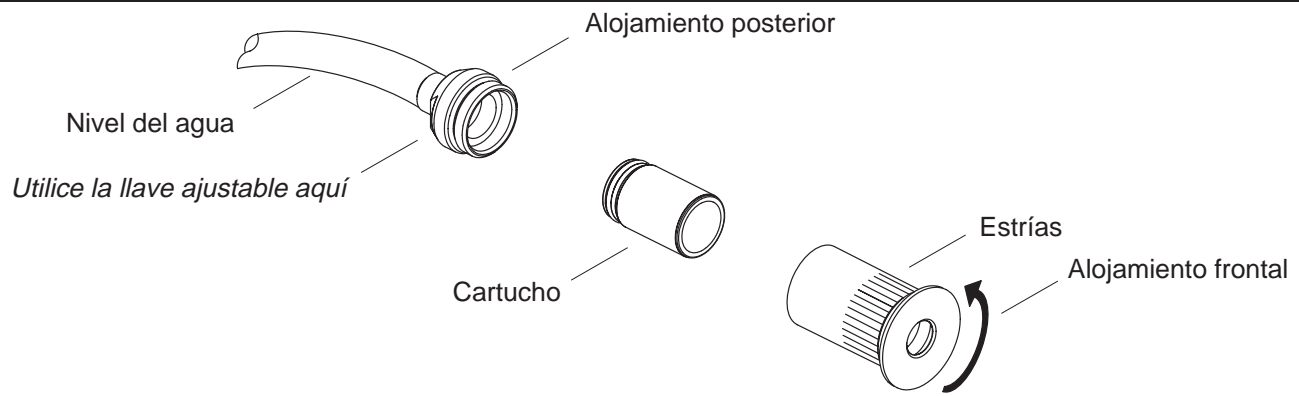
Para mantener su accesorio como nuevo, proteja las superficies de madera de los rayos directos del sol, y mantenga alejadas de las fuentes de calor. Limpie regularmente el polvo con un trapo mojado, frotando en la misma dirección de la fibra. En caso de derrames de líquidos, utilice una solución jabonosa no alcalina y agua para limpiar la superficie. Evite todo contacto de las superficies de madera con solventes, alcoholes, removedor de esmalte para uñas, y evite el uso de ceras o puladuras aceitosas.



## Su producto Kohler

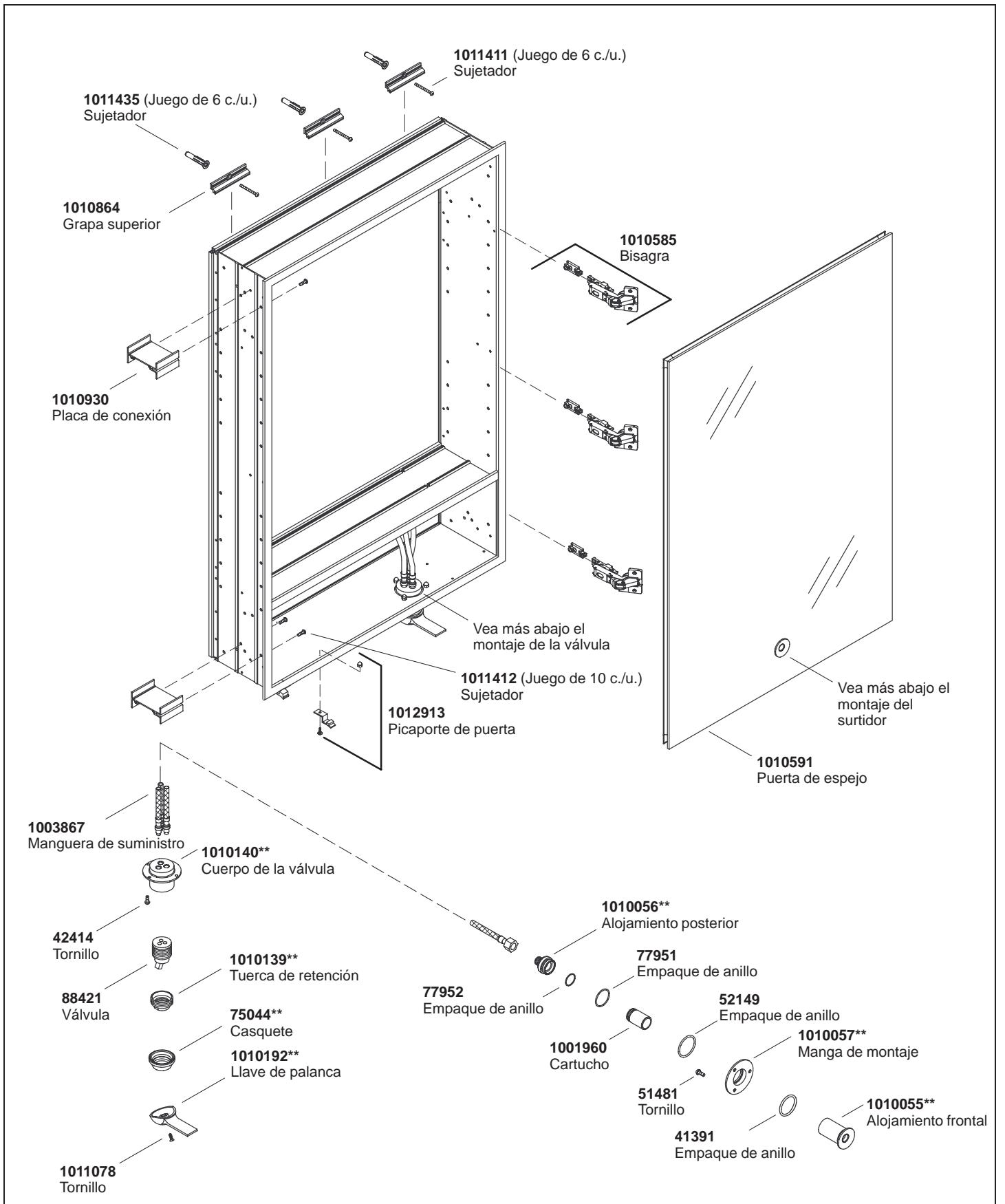
Los muebles, mostradores y lavabos de la línea Purist están diseñados para ser funcionales y atractivos, a la vez que fáciles de adaptar a todo espacio. Es posible disponer los componentes Purist en un sin fin de combinaciones que complementan su estilo. Se ha ilustrado algunos ejemplos de configuraciones arriba. La línea Purist contiene los siguientes componentes:

- **Gabinete con espejo** - que puede albergar un surtidor Laminar Sheet que proyecta una fuente de agua al lavabo. Los gabinetes están disponibles con estantes removibles, puertas giratorias, puertas de acceso para la grifería estacionaria, enchufe y estantes ajustables, y todo el conjunto puede combinarse del modo que mejor se ajuste a sus necesidades.
- **Gabinete y tocador de montaje mural** - debajo del mostrador, debajo del lavabo o autónomos, los gabinetes y tocadores están diseñados para estar suspendidos sobre el piso. Los gabinetes y tocadores están hechos de madera dura enchapada, y están equipados de gavetas con sistemas de apertura de alta calidad.
- **Mostradores de piedra volcánica natural** - de superficie natural gris, presentan variaciones naturales, marcas y depósitos de cuarzo. Los mostradores son fijados a la pared con soportes o se sostienen sobre gabinetes y tocadores de montaje mural.
- **Lavabos de sobreponer** - disponibles con superficie húmeda o con pileta llana, así como una pileta opcional de fondo abierto o cerrado. El lavabo de arcilla refractaria puede colocarse sobre soportes murales, tocadores de montaje mural o mostradores de piedra volcánica.



## Limpeza o reemplazo del cartucho de la grifería

- El cartucho de la grifería Spout puede requerir remociones periódicas para efectos de limpieza o reemplazo.
- Para realizar el mantenimiento, se requiere de la llave ajustable.
- Empuje hacia adelante la parte posterior del montaje del surtidor Laminar, hasta que sobresalga en la parte delantera del espejo. Para evitar causar daños al espejo, no empuje el surtidor completamente fuera del espejo sin sostenerlo.
- Utilice una llave ajustable para aflojar ambas partes del montaje del surtidor. Coloque la llave en la parte posterior del montaje, sostenga por las estrías del alojamiento frontal y rote hacia la izquierda. No desconecte el agua en la parte posterior del montaje del surtidor. Habrá una pequeña cantidad de agua alojada en la manguera y en el área del cartucho.
- Remueva y deseche el cartucho viejo. Reemplace por un cartucho nuevo de Kohler.
- Reensamble el cuerpo del surtidor. Verifique que no haya vacíos entre los alojamientos frontal y posterior.
- Para reinstalar, deslice el montaje del surtidor a través del orificio de fijación, hasta que se apoye por completo contra el espejo. Tenga cuidado de no golpear el espejo con ningún objeto metálico.
- Cierre la puerta y verifique que las mangueras no se doblen al ingresar en el compartimento inferior.



\*\*Se debe especificar el código del acabado/color con el pedido.

## Piezas de Repuesto

## Garantía limitada de un año – Estados Unidos y Canadá

Las griferías y aparatos sanitarios de Kohler están libres de defectos de fábrica.

Kohler Co., o Kohler Ltd., a su elección, repararán, reemplazarán o harán los ajustes apropiados en los casos en que la inspección demuestre la presencia de cualquier defecto ocurrido durante el uso normal durante un año, a partir de la fecha de la instalación. **Kohler Co. y Kohler Ltd. no se hacen responsables por los gastos de instalación o remoción.**

Para obtener el servicio de garantía, comuníquese con Kohler Co. o con Kohler Ltd. a través de su comerciante o contratista de plomería, escribiendo a la dirección contenida abajo, o llamando al **1-800-4-KOHLER** desde los Estados Unidos, o al **1-800-964-5590** desde Canadá.

Residentes de los Estados Unidos: Kohler Co., Customer Service Department, 444 Highland Drive, Kohler, Wisconsin, 53044, U.S.A.

Residentes de Canadá: Kohler Ltd., Customer Service Department, 107 Woodbine Downs Blvd., Unit 12, Etobicoke, Ontario, Canadá, M9W 6Y1.

**Toda garantía implícita, incluyendo comercialización o idoneidad para un propósito en particular, se limita expresamente al tiempo de duración de la presente garantía. KOHLER Co. y Kohler Ltd. no se hacen responsables por concepto de daños indirectos, incidentales o emergentes.**

Algunos estados no permiten limitaciones en cuanto a la duración de la garantía implícita o a la exclusión o limitación de daños incidentales o de consecuencia, por lo que es posible que estas limitaciones y exclusiones no le afecten. La presente garantía le otorga ciertos derechos legales específicos. Adicionalmente, es posible que usted cuente con derechos que varían de estado en estado y provincia en provincia.

Esta garantía le otorga ciertos derechos legales específicos dentro de los Estados Unidos, junto a otros derechos disponibles, que pueden variar de país en país.

El presente documento constituye nuestra garantía exclusiva por escrito.

KOHLER CO., KOHLER, WISCONSIN 53044 U.S.A.

KOHLER LTD., ETOBICOKE, ONTARIO M9W 6Y1

## Garantía limitada de un año para grifería – Estados Unidos y Canadá

Kohler Co. o Kohler Ltd. garantiza que la grifería fabricada después del 1 de enero de 1997 estará libre de problemas de fugas y goteo, mientras sea empleada para uso normal residencial por parte del comprador consumidor original.\* En caso de que la grifería presente fugas o goteos durante el uso normal residencial, Kohler enviará, libre de cargo, el cartucho necesario al cliente, a fin de corregir el problema.

Kohler Co. o Kohler Ltd. garantiza igualmente que toda otra característica de la grifería de Kohler, excepto en aquella con acabado de oro, está libre de defectos de material o fabricación, durante el uso normal residencial, mientras el comprador original sea el usuario del producto. En caso de que se presente algún defecto durante el uso normal residencial, Kohler Co. o Kohler Ltd. a su elección, reparará, reemplazará la parte o el producto, o realizará los ajustes pertinentes. La garantía no incluye los daños causados por accidentes, abuso o uso indebido del producto. El cuidado y limpieza indebidos anularán la presente garantía. Es necesario suministrar la prueba de compra (recibo original) a Kohler, al presentar los reclamos. Kohler Co. y Kohler Ltd. no se hacen responsables por los gastos de mano de obra, instalación u otros gastos resultantes. En ningún caso la responsabilidad de Kohler Co. o Kohler Ltd. se extenderá por encima del precio de la grifería.

Si la grifería es para uso comercial, o en el caso de grifería con acabado de oro pulido, Kohler Co. o Kohler Ltd. garantiza que el producto estará libre de defectos de material y fabricación por un (1) año a partir de la fecha de instalación del producto. A excepción de la duración, todas las demás condiciones de esta garantía prevalecerán.

Para obtener servicio en virtud de la presente garantía, comuníquese con su comerciante, contratista de plomería, centro de remodelaciones o ciber-vendedor. Por favor, asegúrese de proporcionar toda la información pertinente a su reclamo, incluyendo una descripción completa del problema, producto, número de modelo, color, acabado, fecha y lugar de compra del producto. También, incluya el nombre del contratista o del comerciante y el recibo original de compra.

Para información adicional, o para obtener el nombre y dirección del lugar más cercano a Ud. para reparar su producto, escriba a Kohler Co. o a Kohler Ltd., o llame al 1-800-4-KOHLER, desde los Estados Unidos, y al 1-800-964-5590, desde Canadá.

Para información adicional, o para obtener el nombre y dirección del lugar más cercano a Ud. para reparar su producto, escriba a Kohler Co. o a Kohler Ltd., o llame al 1-800-4-KOHLER, desde los Estados Unidos, y al 1-800-964-5590, desde Canadá.

Residentes de los Estados Unidos: Kohler Co., Attn: PNA Customer Service Department, 444 Highland Drive, Kohler, WI 53044, USA.

Residentes de Canadá, Kohler Ltd., Att.: PNA Customer Service Department, 107 Woodbine Downs Blvd., Unit 12, Etobicoke, Ontario, Canadá, M9W 6Y1.

**Las garantías subsiguientes sustituyen a todas las demás garantías, expresas o implícitas, incluyendo, pero no limitado a las garantías implícitas de comercialización e idoneidad para un propósito en particular.**

**El vendedor no se hace responsable por concepto de daños indirectos, incidentales o emergentes.** Algunos estados no permiten limitaciones en cuanto a la duración de la garantía implícita o a la exclusión o limitación de daños incidentales o de consecuencia, por lo que es posible que estas limitaciones y exclusiones no le afecten. La presente garantía le otorga ciertos derechos legales específicos. Adicionalmente, es posible que usted cuente con derechos que varían según el estado y la provincia. La presente garantía está destinada únicamente para el comprador consumidor original y excluye todo daño al producto como resultado de errores de instalación, abuso del producto o uso indebido del mismo, bien sea por parte de un contratista, compañía de servicios o el consumidor mismo.

El presente documento constituye la garantía exclusiva por escrito de Kohler Co. / Kohler Ltd.

Para asegurar el funcionamiento correcto, la durabilidad y fiabilidad del servicio, utilice repuestos originales de Kohler.

\* La garantía limitada de por vida de Kohler es válida para toda la grifería fabricada después del 1 de enero de 1997, excepto en el caso de los siguientes productos, los cuales se registrarán por la garantía limitada de un año de Kohler: Grifería Trend®, Torre MasterShower, acabado de oro pulido, todos los artículos contenidos en la sección de productos "relacionados con Aparatos Sanitarios y Accesorios" de la Lista de Precios de la Grifería Kohler, drenajes, duostrainers, dispensadores de jabón y loción y grifería para uso comercial.



## Garantía de un año – México

KOHLER CO.

Al adquirir el producto, se sugiere verificar que todos los accesorios y componentes contenidos en el empaque estén completos.

Kohler Co. garantiza la falta de defectos de material o fabricación en este producto, por un (1) año, a partir de la fecha de compra que aparece en el recibo de compra.

Kohler Co. prestará servicio únicamente en sus productos comercializados a través de sus distribuidores autorizados.

A fin de obtener el servicio de garantía, favor presentar la factura de compra y la garantía correspondiente.

Kohler Co., a través de sus distribuidores autorizados, se compromete a reparar el producto defectuoso o a reemplazarlo por uno nuevo o equivalente (en caso de que el producto esté descontinuado) cuando no sea posible la reparación, sin ningún cargo al consumidor.

El tiempo de reparación no excederá de seis (6) semanas, a partir de la fecha de recepción del producto.

Se sugiere al consumidor conservar el recibo o factura de compra como protección adicional, pues el mismo puede sustituir a la garantía, en caso de que exista discrepancia en cuanto a la validez de la misma.

### EXCEPCIONES Y RESTRICCIONES:

La garantía no tendrá validez en los siguientes casos:

Cuando el producto no haya sido operado conforme al instructivo de uso y operación incluido en el manual del usuario y cuando no se haya observado las recomendaciones y advertencias allí contenidas.

Cuando el producto haya sido modificado o desmantelado parcial o totalmente; o haya sido manipulado de manera negligente y, como consecuencia, haya sufrido daños atribuibles al consumidor, persona o talleres no autorizados por Kohler Co.

La presente garantía no cubre daños que resulten de siniestros tales como incendios o actos divinos, incluyendo inundaciones, terremoto o tormentas eléctricas, etc.

Para obtener la lista de los establecimientos cerca de Ud. donde podrá ejercer sus derechos contenidos en la presente garantía, llame al 001-877-680-1310.

KOHLER CO., KOHLER, WI 53044 U.S.A.

### IMPORTADOR:

INTERNACIONAL DE CERÁMICA, S.A. DE C.V.

AV. CARLOS PACHECO NO. 7200

CHIHUAHUA, CHIH., MEXICO C.P. 31060



## Garantía de un año para grifería – México

KOHLER CO.

Al momento de la compra, sugerimos que revise el contenido de la caja para verificar que no haya piezas faltantes.

Kohler Co. garantiza su grifería por un periodo de un año, y más de un año, siempre y cuando el comprador consumidor original sea propietario de su casa. Si la grifería es usada comercialmente, Kohler garantiza el producto por un periodo de un año.

Kohler Co. garantiza los accesorios de la grifería por un periodo de un año.

Kohler garantiza que su grifería no presentará problemas de fugas y goteos, y que, excepto para los productos con acabado de oro, la grifería estará libre de defectos de material y fabricación durante el uso normal.

La validez de esta garantía comenzará a partir de la fecha de envío del producto al consumidor.

Si Ud. piensa que tiene un reclamo que implique la garantía, considere lo siguiente:

1. Kohler Co. prestará servicio únicamente en sus productos comercializados a través de sus distribuidores autorizados.
2. Para obtener servicio de garantía, por favor presente la garantía y el producto correspondiente al momento del reclamo.
3. Kohler, a través de sus distribuidores, a su elección, reparará, suministrará una pieza de repuesto o un producto, o realizará los ajustes necesarios al producto.
4. El tiempo de reparación no excederá de seis (6) semanas, a partir de la fecha de recepción del producto.
5. Sugerimos que guarde su recibo de compra o factura, como medio de protección adicional para demostrar su derecho al servicio de garantía.

### EXCEPCIONES Y RESTRICCIONES:

La garantía no tendrá validez en los siguientes casos:

1. Cuando el producto no haya sido operado conforme al instructivo de uso y operación incluido en el manual del usuario, y cuando no se haya observado las recomendaciones y advertencias allí contenidas.
2. Cuando el producto haya sido modificado o desmantelado parcial o totalmente; o haya sido manipulado de manera negligente y, como consecuencia, haya sufrido daños atribuibles al consumidor, persona o talleres no autorizados por Kohler Co.
3. La presente garantía no cubre daños que resulten de siniestros tales como incendios o actos divinos, incluyendo inundaciones, terremotos o tormentas eléctricas, etc.
4. Kohler Co. no se hace responsable por los gastos de mano de obra, instalación u otros gastos resultantes. En ningún caso la responsabilidad de Kohler se extenderá por encima del precio del producto.

Para obtener la lista de los establecimientos cerca de Ud. donde podrá ejercer sus derechos contenidos en la presente garantía, y para adquirir piezas de repuesto o componentes, llame al 001-877-680-1310.

KOHLER CO., KOHLER, WI 53044 U.S.A.

### IMPORTADOR:

INTERNACIONAL DE CERÁMICA, S.A. DE C.V.

AV. CARLOS PACHECO NO. 7200


CHIHUAHUA, CHIH., MEXICO C.P. 31060


TEL: 52 (14) 29-11-11


# Guide d'Utilisation

## Armoires de toilette avec miroir

### CONSERVER CES DIRECTIVES

 **ATTENTION : Risque de blessures ou d'endommagement du produit.** Les armoires de toilette sont très lourdes. Il est conseillé de demander de l'aide pour soulever et mettre en place les armoires.

 **ATTENTION : Risque de blessures ou d'endommagement du produit.** Au moment d'ouvrir l'alimentation en eau du robinet Laminar Flow, ne restez pas directement en face du robinet. Il se peut qu'il y ait de l'air dans les tuyaux.

 **ATTENTION : Risque de blessures ou d'endommagement du produit.** Au moment d'ouvrir l'alimentation en eau du robinet Laminar Flow, ne restez pas directement en face du robinet. Il se peut qu'il y ait de l'air dans les tuyaux.

### Sommaire

Merci .....	18
Entretien et nettoyage .....	18
Votre Produit Kohler .....	19
Entretien de la cartouche du robinet .....	20
Pièces de remplacement	
K-3091 Armoire de toilette avec miroir .....	21
Garantie limitée d'un an - É.-U. et Canada .....	22
Garantie limitée d'un an- Robinetterie - É.-U. et Canada .....	23

### Merci d'avoir opté pour les produits de la Société Kohler

Merci d'avoir opté pour le meuble de bain de la ligne The Bold Look of Kohler. Le travail soigné des artisans de Kohler vous permet de disposer d'une rare combinaison de performance éprouvée et sophistication gracieuse. La fiabilité et la beauté de votre nouveau produit Kohler surpassera vos plus grandes attentes. Chez Kohler, nous sommes fiers du rendement de nos produits et nous savons qu'il en sera de même pour vous.

Avant d'utiliser votre produit Kohler, prenez quelques minutes pour consulter ce guide d'utilisation. Portez une attention particulière aux instructions d'entretien et de nettoyage à cette page.

Tous les renseignements contenus dans ces instructions proviennent des plus récentes données disponibles sur les produits au moment d'aller sous presse. Chez Kohler, nous tentons toujours d'améliorer nos produits. Nous nous réservons donc le droit d'apporter des modifications aux caractéristiques, conditionnement et disponibilité des produits en tout temps et sans avis.

### Notice d'Entretien et Nettoyage

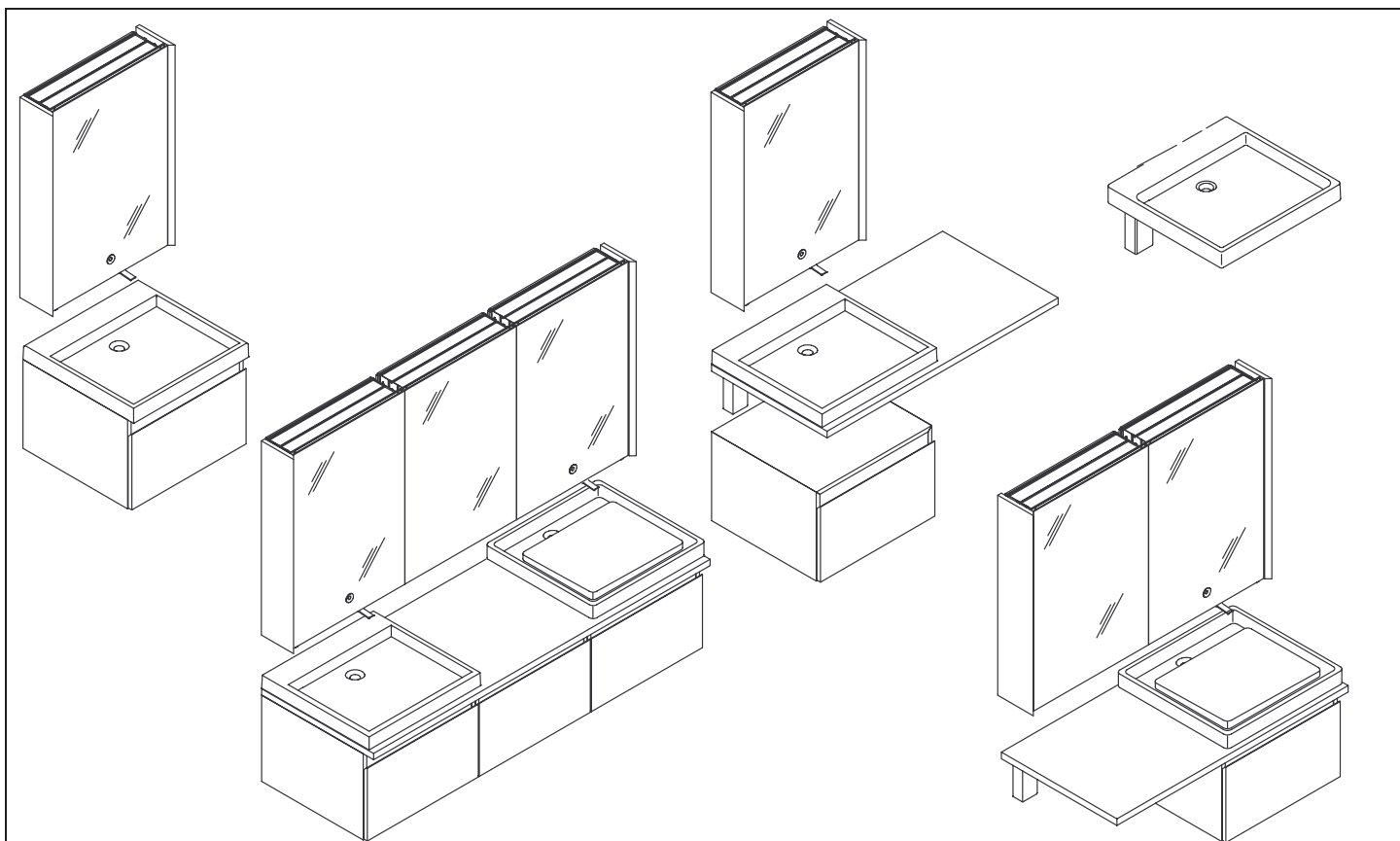
#### Nettoyage de votre armoire de toilette avec miroir

Utiliser un nettoyant pour vitres de qualité et un linge propre pour nettoyer la surface du miroir. Veuillez suivre la notice du fabricant du nettoyant avec attention. Ne pas laisser les nettoyants pour vitres sur les surfaces en bois.

#### Nettoyage des surfaces en bois plaqué

Le nettoyage facile qu'offre le bois plaqué de teck n'est qu'un de ses nombreux avantages. Comme sur toute surface lisse ÉVITER D'UTILISER DES NETTOYANTS ABRASIFS, puisqu'ils peuvent égratigner la surface.

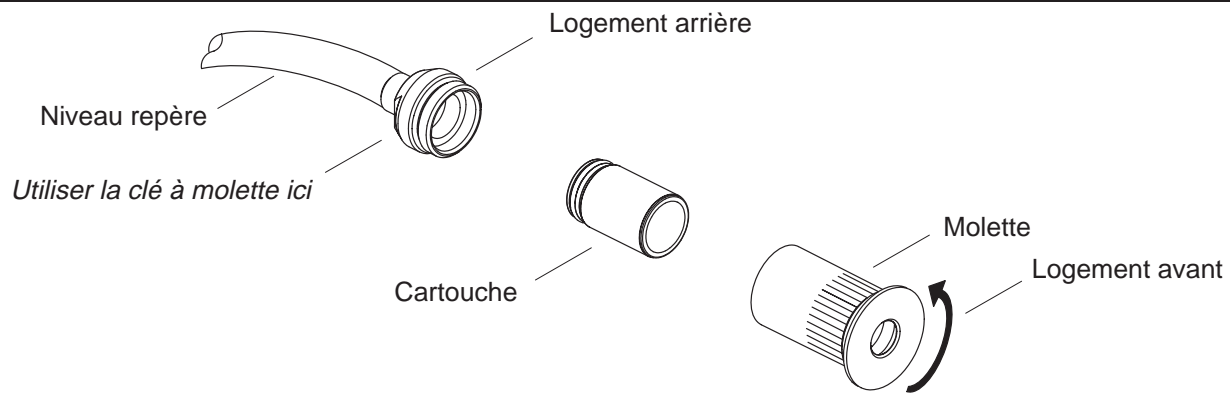
Afin de conserver l'apparence des surfaces en bois, tenir loins des rayons de soleil et des sources de chaleur. Nettoyer toute poussière régulièrement avec un linge mouillé, en frottant dans le sens du grain. Pour nettoyer les liquides, utiliser une solution savonneuse non-alcaline et de l'eau. Éviter tout contact des surfaces en bois avec des nettoyants qui contiennent des solvants, de l'alcool ou de l'acétone, et des cires ou des pattes à pôlir huileuses.



## Votre Produit Kohler

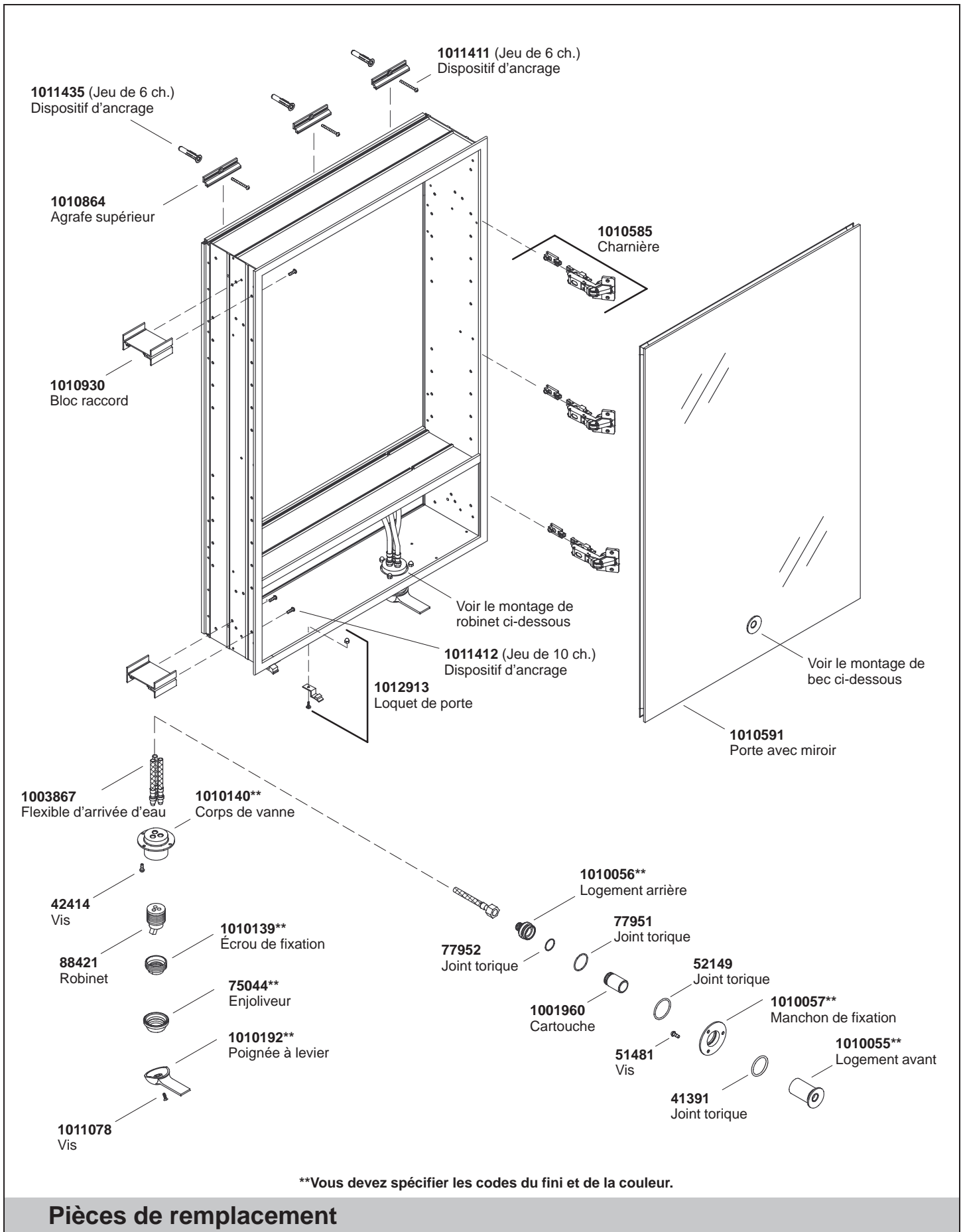
Les meubles de bain, les comptoirs et les lavabos Purist sont des pièces attrayantes et fonctionnelles, ainsi que faciles à s'adapter à tout espace. Les composants de la ligne Purist peuvent adopter des combinaisons multiples pour compléter votre style. Quelques configurations sont illustrées ci-dessus. La ligne Purist contient les composants suivants :

- **Armoire de toilette avec miroir** - qui peut intégrer un robinet Laminar Flow qui projette le jet d'eau dans la vasque. Les armoires sont disponibles avec des étagères amovibles, portes d'ouverture à droite ou à gauche, porte d'accès aux composants du robinet fixe, prises électriques intégrées et tablettes réglables.
- **Meuble bas et meuble-lavabo accrochés au mur** - suspendus sous-comptoir, sous-vasque ou isolés. Les meubles de salle de bain sont fabriqués avec du contreplaqué de haute qualité et sont équipés de tiroirs aménagés avec des amples espaces de rangement.
- **La surface des comptoirs en pierre volcanique naturelle** - comporte des variations, des marques et des traces de quartz. Les comptoirs sont fixés au mur ou supportés par des meubles de salle de bain suspendus.
- **Le lavabo sur comptoir** - est disponible avec cuve de surface humide ou cuve plate, ainsi que des vasques optionnelles en porcelaine avec bonde de vidage ouverte ou fermée. Le lavabo en argile réfractaire peut être installé sur des supports muraux, un meuble-lavabo suspendu ou un comptoir en pierre volcanique.



## Nettoyage ou remplacement de la cartouche de robinet

- La cartouche du robinet devra être retirée périodiquement pour son entretien ou remplacement.
- L'entretien requiert d'une clé à molette.
- Pousser l'ensemble de bec Laminar vers l'avant pour le faire saillir du miroir. Pour ne pas endommager le miroir, soutenir l'ensemble et pousser le bec vers l'extérieur au même temps.
- Utiliser une clé à molette pour desserrer les deux pièces qui composent l'ensemble de bec. Placer la clé du côté arrière de l'ensemble, tenir par les molettes du logement avant, puis tourner vers la gauche. Ne pas débrancher l'eau au dos de l'ensemble de bec. Une petite quantité d'eau sera logée dans le flexible et la cartouche.
- Retirer et jeter la cartouche existante. Remplacer par une nouvelle cartouche Kohler.
- Rassembler le corps de bec. S'assurer qu'il n'y ait pas de dégagement entre les deux logements.
- Pour réinstaller, glisser l'ensemble de bec par le trou de fixation jusqu'au contact du miroir. Travailler soigneusement pour ne pas endommager le miroir.
- Fermer les portes du cabinet et s'assurer que les flexibles ne soient pas pincés ou pliés dans l'élément inférieur.



## Garantie limitée d'un an – É.-U. et Canada

Kohler garantit que les appareils sanitaires et accessoires sont exempts de tout défaut de fabrication.

Si un défaut est décelé en cours d'usage normal domestique, la société Kohler ou Kohler Ltd. décidera, à son choix, de réparer, remplacer ou effectuer les réglages appropriés, pour un an à partir de la date d'installation. **La société Kohler ou Kohler Ltd. n'est pas responsable des coûts d'installation.**

Pour vous prévaloir du service en vertu de cette garantie, contactez la société Kohler ou Kohler Ltd. par l'intermédiaire de votre concessionnaire ou entrepreneur plombier, ou par écrit à l'adresse suivante, ou encore par téléphone **1-800-4-KOHLER** à partir des É.-U., ou **1-800-964-5590** du Canada.

Clients américains : Customer Service Department, 444 Highland Drive, Kohler, Wisconsin 53044, É.-U.

Clients canadiens: Kohler Ltd., Customer Service Department, 107 Boul. Woodbine Downs, Unit 12, Etobicoke, Ontario, Canada, M9W 6Y1.

**La durée des garanties tacites, y compris celles de qualité marchande et d'aptitude à un emploi particulier, se limite expressément à la durée de la présente garantie. La société Kohler ou Kohler Ltd. décline toute responsabilité contre les dommages particuliers, accessoires ou indirects.**

Certaines provinces ne permettent pas la délimitation de tels dommages, de sorte que la délimitation ou l'exclusion ci-dessus pourrait ne pas s'appliquer dans votre cas. La présente garantie accorde au consommateur des droits particuliers reconnus par la loi. Vous pouvez également avoir d'autres droits qui varient d'une province à l'autre.

Cette garantie limitée accorde au consommateur des droits particuliers reconnus par la loi, aux É.-U. et au Canada. Vous pouvez également avoir d'autres droits qui varient d'un pays à l'autre.

Ceci constitue notre garantie écrite exclusive.

KOHLER CO., KOHLER, WISCONSIN 53044 É.-U.

KOHLER LTD., ETOBICOKE, ONTARIO M9W 6Y1

## Garantie limitée d'un an - Robinetterie É.-U. et Canada

La société Kohler ou Kohler LTD. garantit que ce robinet fabriqué après le 1er Janvier 1997 ne dégouttera pas, ni accusera des fuites durant l'utilisation normale à la maison, aussi longtemps que l'acquéreur initial possède son domicile.\* Si ce robinet dégoutte ou accuse des fuites en cours d'utilisation normale, la société Kohler vous enverra par courrier, sans supplément, la cartouche nécessaire pour remettre le robinet en bonne condition de fonctionnement.

La société Kohler ou Kohler Ltd. garantit aussi que toutes les caractéristiques de ce robinet, à l'exception du fini doré, sont exemptes de défauts de matériel et de fabrication durant l'utilisation normale à la maison, aussi longtemps que l'acquéreur initial possède son domicile. Si un défaut est décelé en cours d'usage normal domestique, la société Kohler ou Kohler Ltd. décidera, à son choix, de réparer, remplacer ou effectuer les réglages appropriés. Cette garantie n'offre pas de protection contre les dommages causés par un accident, mauvais usage ou traitement. L'entretien et le nettoyage inadéquats annuleront cette garantie. Une preuve d'achat (original du reçu de caisse) doit accompagner tout recours en garantie à Kohler. La société Kohler/Kohler Ltd. n'est pas responsable des coûts de main-d'oeuvre, d'installation ou d'autres frais indirects. La responsabilité de la société Kohler ou Kohler Ltd. n'excédera en aucun cas le prix d'achat du produit.

Si le robinet est utilisé dans un commerce, ou au cas du fini doré, la société Kohler ou Kohler Ltd. garantit que ce robinet sera exempt de tout défaut de matériel et de fabrication, pour un (1) an à partir de la date d'installation du produit. Tous les autres termes de cette garantie s'appliquent, sauf la durée.

Pour vous prévaloir du service en vertu de cette garantie, contactez votre concessionnaire, entrepreneur plombier centre de rénovation ou cyberrevendeur. Veuillez fournir tous les renseignements pertinentes à votre demande, y compris une description complète du problème, produit, modèle, couleur, fini, date et lieu d'achat. Aussi, veuillez nous fournir le nom de l'entrepreneur, ainsi que l'original de la facture.

Pour plus de renseignements ou pour demander les coordonnées du centre de réparation le plus proche, écrivez à la société Kohler ou à Kohler Ltd., ou composez le 1-800-4-KOHLER à partir des É.-U. et 1-800-964-5590 à partir du Canada.

Pour plus de renseignements ou pour demander les coordonnées du centre de réparation le plus proche, écrivez à la société Kohler ou à Kohler Ltd., ou composez le 1-800-4-KOHLER à partir des É.-U. et 1-800-964-5590 à partir du Canada.

Clients américains : Kohler Co., PNA Customer Service Department, 444 Highland Drive, Kohler, Wisconsin 53044, É.-U.

Clients canadiens : Kohler Ltd. PNA Customer Service Department, 107 Woodbine Downs Blvd., Unit 12, Etobicoke, Ontario, Canada, M9W 6Y1

**LES GARANTIES DONNÉES CI-DESSUS REMPLACENT TOUTES AUTRES GARANTIES, EXPRESSES OU TACITES, Y COMPRIS, MAIS SANS S'Y LIMITER, CELLES DE QUALITÉ MARCHANDE ET D'APTITUDE À UN EMPLOI PARTICULIER.**

**Le vendeur décline toute responsabilité contre les dommages particuliers, accessoires ou indirects.** Certaines provinces ne permettent pas la délimitation de tels dommages, de sorte que la délimitation ou l'exclusion ci-dessus pourrait ne pas s'appliquer dans votre cas. La présente garantie accorde au consommateur des droits particuliers reconnus par la loi. Vous pouvez également avoir d'autres droits qui varient d'une province à l'autre. Cette garantie est accordée uniquement à l'acquéreur initial et exclut tout dommage imputable à une installation erronée, un usage abusif ou une mauvaise utilisation du produit, qu'ils soient effectués par un entrepreneur, une société de services ou le consommateur.

Ceci constitue la garantie écrite exclusive de la société Kohler et Kohler Ltd.

Utilisez toujours des pièces de remplacement authentiques Kohler pour garantir un bon fonctionnement ainsi qu'une fiabilité et un service durables.

\* La garantie limitée à vie de Kohler s'applique à tous les robinets fabriqués après le 1er Janvier 1997, sauf pour les produits suivants, où la garantie limitée d'un an sera appliquée : Robinets Trend®, Colonne Mastershower, fini doré poli, tous les articles contenues dans la section "produits connexes aux Appareils Sanitaires et Accessoires" du Catalogue des Prix des Robinets Kohler, bondes de vidage, duostrainers, distributeur de savon/crème et robinets utilisés dans un commerce.

USA: 1-800-4-KOHLER  
Mexico: 001-877-680-1310  
Canada: 1-800-964-5590  
[kohler.com](http://kohler.com)

THE BOLD LOOK  
OF **KOHLER**®

©2002 Kohler Co.

1012595-5-B