

KOHLER[®]

TELLIEUR[™] STORAGE CASES

INSTALLATION INSTRUCTIONS

MATERIALS NEEDED:

- Level
- Square
- Drill
- Measuring Tape
- Pencil
- Safety Glasses
- Fasteners (see **steps 4., 5., 12., 13. & 14.**)
- 5 mm Tapped Sleeve Connectors (see **step 15.**)

BEFORE YOU BEGIN

1.

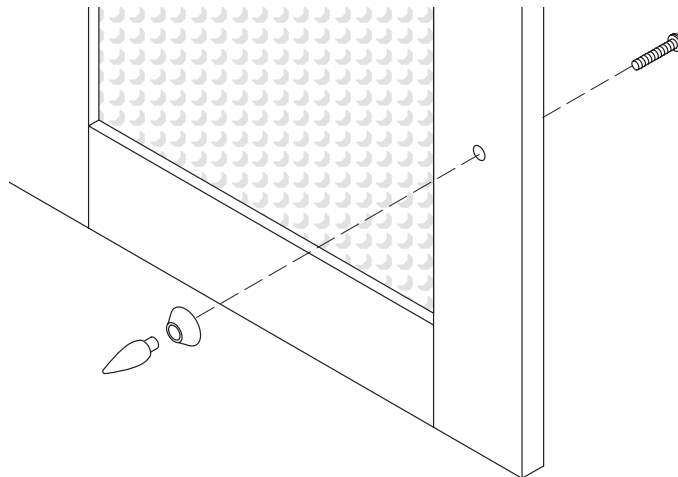
Unpack the storage case and any accessories and inspect for damage.

HANDLE INSTALLATION

2.

Handles come installed backwards. Remove handles and reinstall properly.

Securely hand tighten.



STORAGE CASE INSTALLATION

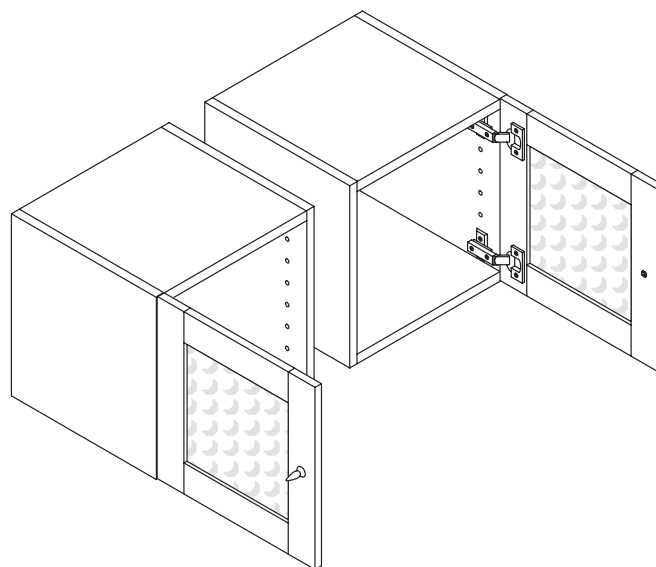
3.

Determine whether to have the storage case door open from the right or left. The storage case may be flipped to allow the door to open from either direction.

If mounting the storage case to the wall, continue to **step 4.**

If installing to a free-standing base unit, skip to **step 6.**

If installing to a wall-mount base unit, skip to **step 9.**



WALL-MOUNT INSTALLATION

4.

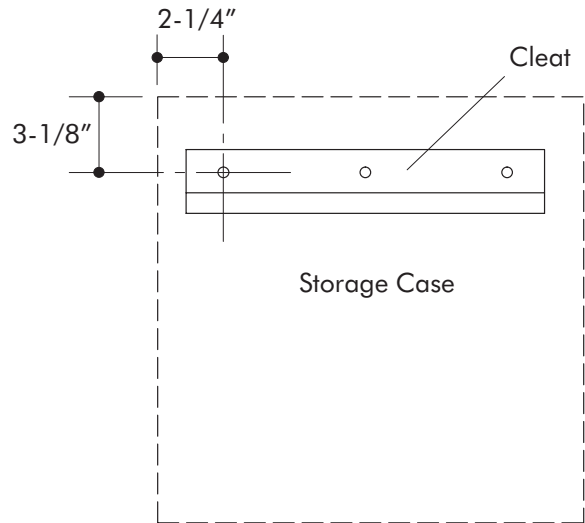
Determine the desired location of the storage cases.

Measure down 3-1/8" from where the top edge of the storage case will be located and 2-1/4" in from where the left edge will be located. Make a mark at this point.

While holding the cleat with the largest side facing away from the wall align the left hole in the cleat with the mark on the wall.

Make sure cleat is level and predrill holes into the wall to align with the holes in the cleat. Use a drill of adequate diameter to accommodate fasteners (not provided).

Secure cleat to wall with appropriate fasteners/inserts (not provided).

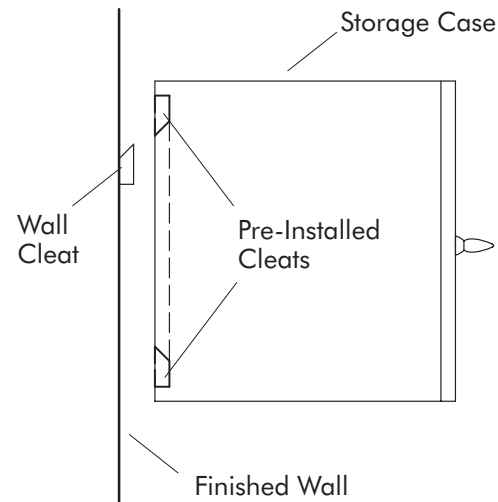


5.

Position the storage case on the wall so the top cleat that is pre-installed on the back of the cabinet rests on the cleat on the wall. Make sure that the storage case is centered on the cleat.

Measure 3/4" up from the bottom inside edge and approximately 3" from either side. Drill a hole at each location through the back of the storage case, bottom cleat, and into the wall.

Secure with fasteners (not provided).



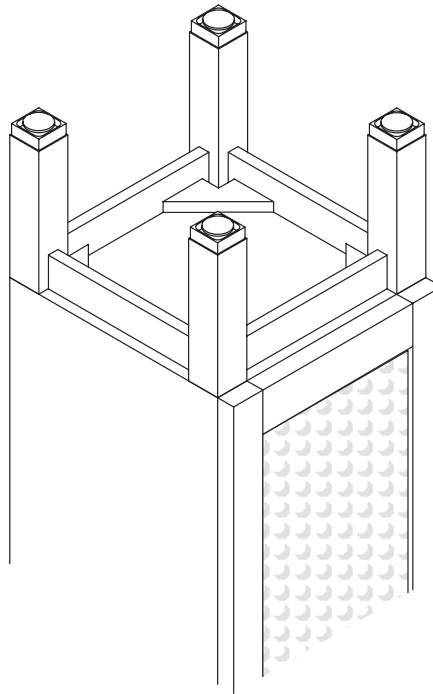
INSTALLATION TO A
FREE-STANDING BASE

6.

Carefully turn the storage case over so the bottom of the storage case is facing up.

Place the base upside down onto the storage case.

Make sure that the edges of the back legs are flush with the back and sides of the storage case.

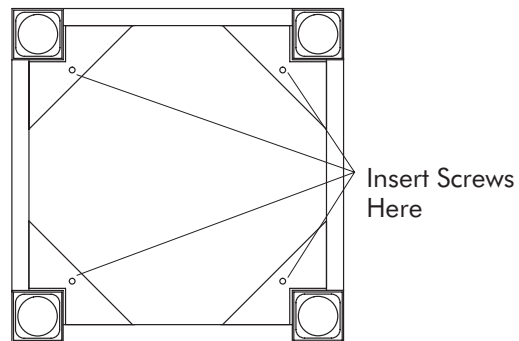


7.

Insert screws into the holes in the corner brackets of the base.

Secure the base to the storage case.

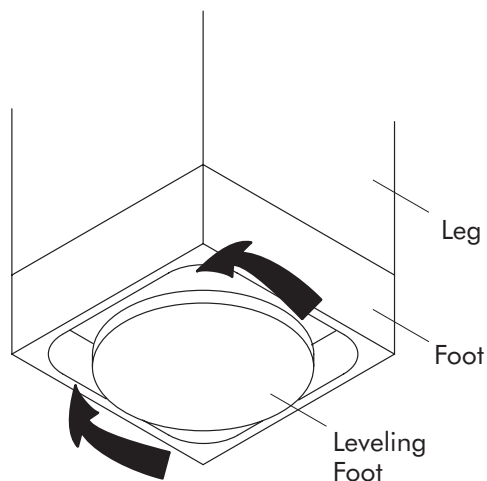
Carefully turn the assembly right-side up and position where desired.



8.

Verify that the storage case is level, both front-to-back and side-to-side. If the storage case is not level, adjust by turning the leveling feet as needed.

Make sure the storage case is supported by all four feet and does not rock.



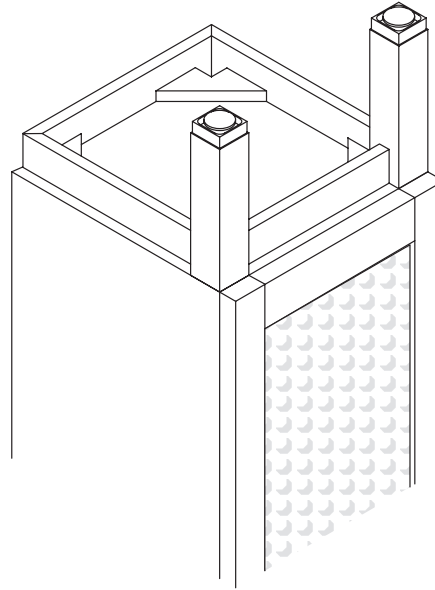
INSTALLATION TO A WALL-MOUNT BASE

9.

Carefully turn the storage case over so the bottom of the storage case is facing up.

Place the base upside down onto the storage case with the two legs toward the front of the cabinet.

Make sure the back rail is flush with the back and sides of the storage case.

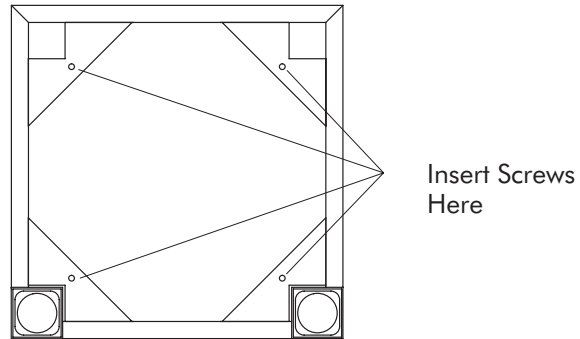


10.

Insert screws into the holes in the corner brackets of the base.

Secure the base to the storage case.

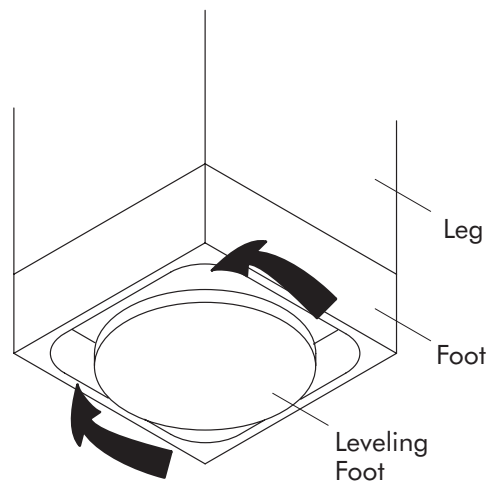
Carefully turn the assembly right-side up and position against the wall where it is to be installed.



11.

Verify that the storage case is level, both front-to-back and side-to-side. If the storage case is not level, adjust by turning the leveling feet as needed.

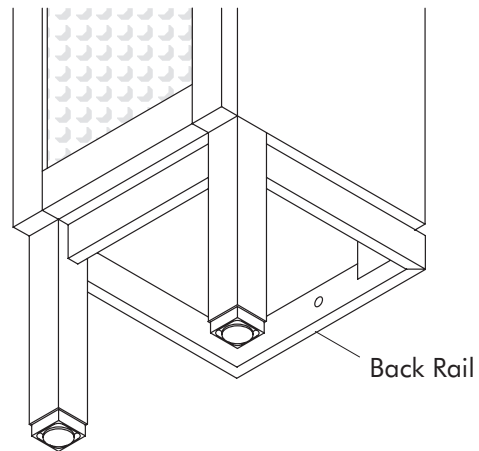
Make sure that the storage case is supported by both feet and does not rock.



12.

Drill at least one hole through the back rail of the base and into the wall.

Secure with a fastener (not provided).

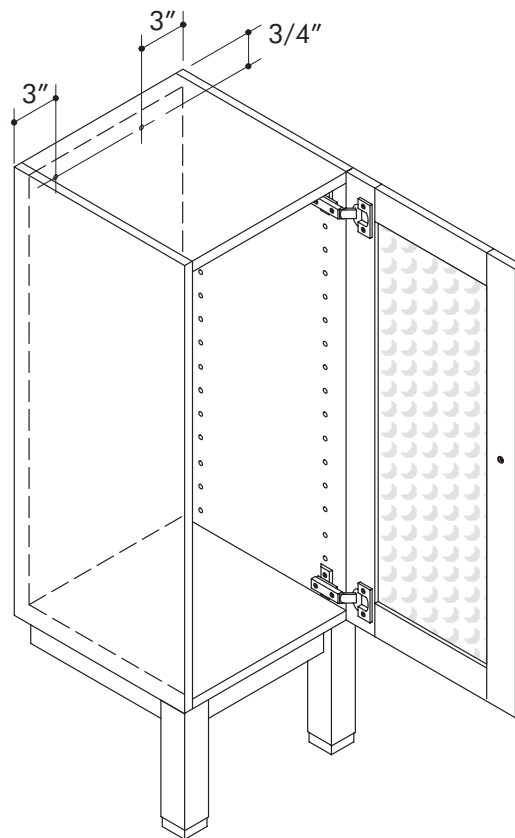


13.

Measure down 3/4" from the top inside edge of the storage case and 3" in from either side.

Drill a hole at each location through the back of the box, bottom cleat, and into the wall. Make sure the drill is of adequate diameter to accommodate fasteners (not provided).

Secure storage case to wall with appropriate fasteners/inserts (not provided).






STACKING MULTIPLE UNITS

14.



CAUTION: RISK OF PERSONAL INJURY OR PRODUCT DAMAGE.

The following cautions apply to stacking on freestanding bases.

-  The higher units are stacked, the more unstable the assembly becomes.
-  If units are utilized in a manner where most of the weight is placed in the upper part of the cabinet the units may become unstable.
-  If units are stacked above 60" high the assembly becomes very unstable.

NOTE: When stacking units on wall-mount bases, make sure to secure each cabinet to the wall.

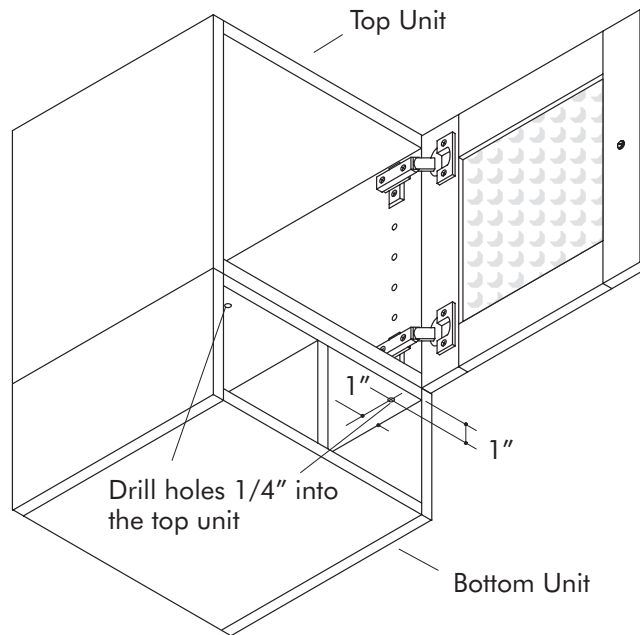
NOTE: Only the case drawers may be stacked with the storage cases or other case drawers. The case drawers have two equal sized drawer compartments.

Stack the two units on top of one another. Make sure units are square to each other.

Measure in from the front edge of the top unit approximately 1" and approximately 1" from either side. Mark each location.

Drill a hole at each mark through the top of the bottom unit and approximately 1/4" into the bottom of the top unit. Do not drill completely through the bottom of the top unit. Make sure to use a drill of adequate diameter to accommodate fasteners (not provided).

Secure with fasteners (not provided).



INSTALLING STORAGE CASES SIDE-TO-SIDE

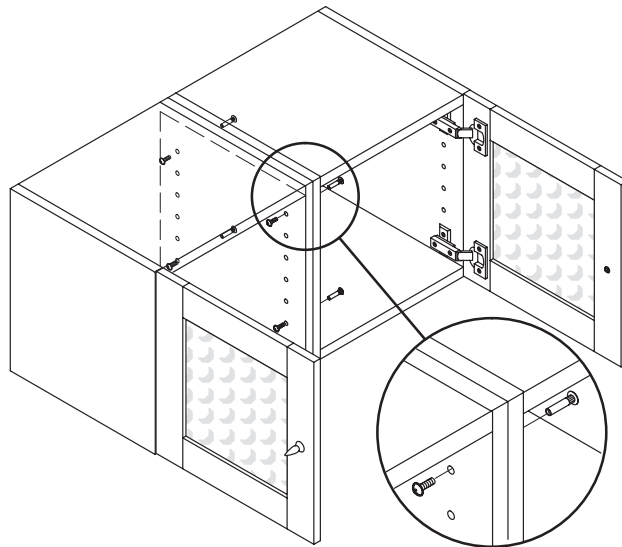
15.

NOTE: Make sure to drill each cabinet separately. Do not try to drill through both storage cases at once.

NOTE: Make sure to drill through the same sets of partially drilled holes in each storage case so they will line up properly.

Decide which sides of each cabinet will be connected to the other. Drill through the top and bottom sets of holes on the inside of both storage cases from inside toward the outside. Make sure to only drill through the side that will be facing the other storage case.

Connect the two storage cases with four 5 mm tapped sleeve connectors (not provided) through the drilled holes.



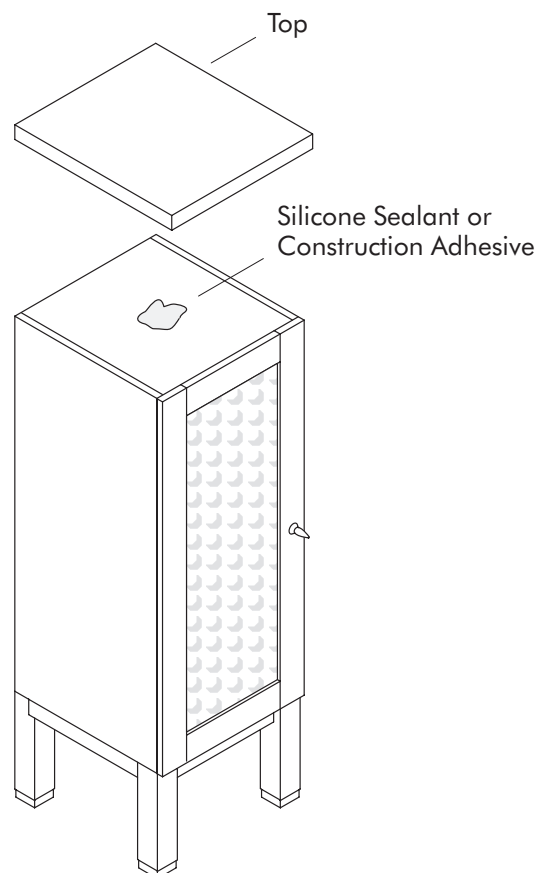
INSTALLING STAINLESS STEEL OR STONE TOP (OPTIONAL)

16.

Apply an ample amount of silicone sealant or construction adhesive to the center of the top of the storage case.

Place top on storage case making sure the back and side edges of the top are flush with the storage case.

Press firmly in place.



CALL US FOR HELP

Questions? Problems? First review the installation instructions to ensure correct installation. For additional assistance in the USA, call our Customer Service Department for direct help. You may also contact us at our web site.

THE BOLD LOOK
OF **KOHLER**®

1-800-4-KOHLER
www.kohlerco.com