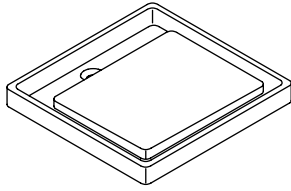


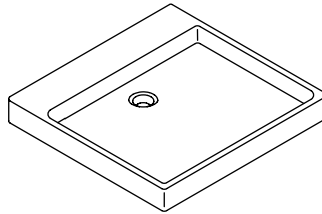
Homeowners Guide

Bathroom Fixtures

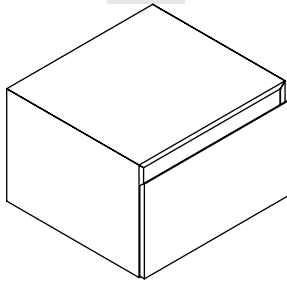
K-2313, K-2334



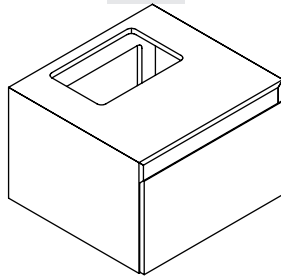
K-2314, K-2335



K-3080



K-3081



M product numbers are for Mexico (i.e. K-12345**M**)
Los números de productos seguidos de
M corresponden a México (e.j.
K-12345**M**)
Français, page "Français-1"
Español, pagina "Español-1"

1012577-5-F

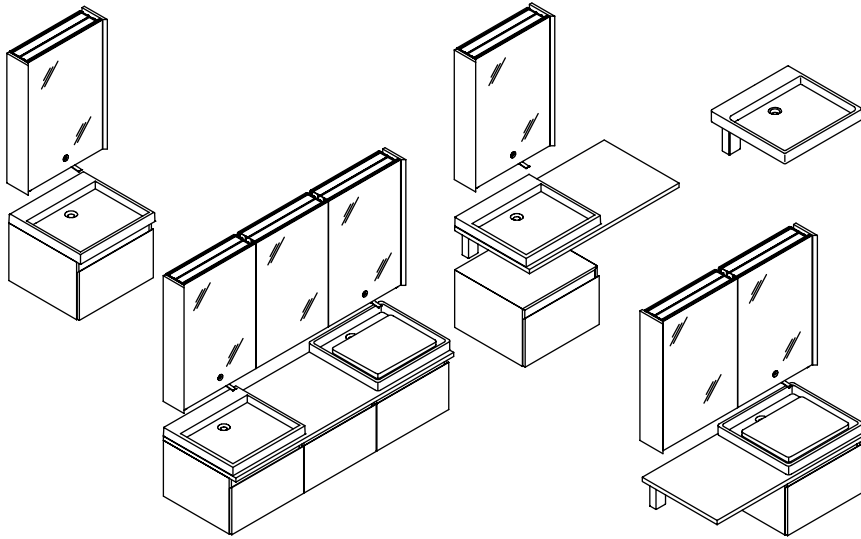
THE BOLD LOOK
OF **KOHLER**®

Thank You For Choosing Kohler Company

Thank you for choosing the Bold Look of Kohler. Kohler craftsmanship offers you a rare combination of proven performance and graceful sophistication that will satisfy you for years to come. The dependability and beauty of your Kohler product will surpass your highest expectations. We're very proud of our products here at Kohler and we know you will be too.

Please take a few minutes to study this Homeowners Guide. Pay special attention to the Care and Cleaning instructions.

All information in this manual is based upon the latest product information available at the time of publication. At Kohler, we constantly strive to improve the quality of our products. We reserve the right to make changes in product characteristics, packaging or availability at any time without notice.



Your Kohler Furniture

Your furniture, countertops, and lavatories are designed to be functional and attractive as well as adaptive to your room and wall space. Your furniture components can be arranged into almost endless combinations to complement your style. Some example configurations are illustrated above. Your furniture components consist of one or more of the following:

- **Mirrored Cabinet** - may house a fountain-action Laminar faucet that projects a flume of water into a lavatory. Cabinets are available with slide-out shelving, swinging front doors, stationary faucet component access doors, electrical outlets, and/or adjustable shelving, and may be joined together in the combination that best suits your needs.
- **Wall-Mounted Cabinet and Vanity** - undercounter or stand-alone cabinets and vanities are designed to hang suspended above the floor. Cabinets and vanities are made of hardwood veneers and come equipped with storage drawers on high-quality slides.

Your Kohler Furniture (cont.)

- **Lavastone Countertop** - made of natural volcanic lava, the natural gray surface features natural variations, markings, and quartz deposits. Countertops are bracketed to the wall and/or rest on wall-mounted cabinets and vanities.
- **Above-Counter Lavatory** - available as wet surface or wading basin with an optional open- or closed-bottom porcelain hand basin. Fireclay or marble lavatories may be positioned on wall-mounted brackets or a lavastone countertop.

Care and Cleaning

Lavastone Countertops

- Your lavastone countertop consists of a natural material more porous than granite or marble. A stone sealer has been applied to this surface to aid in its stain resistance.
- Use cleaners and detergents with a soft cloth or a soft brush to clean the surface.
- Do not use steel wool, coarse scouring pads, or sandpaper as they will dull the surface.
- Clean up spills immediately.
- In the event of a stain, use acetone to aid in its removal. Immediately follow with an application of stone sealant.
- This product requires annual applications of a stone sealer. Contact a marble or stone specialty shop or Kohler Company for recommended sealers.

Brass

- Like anything of lasting quality, Kohler brass fittings require a certain amount of periodic care to preserve their lustrous finish. Clean your new Kohler brass fittings with a mild soap, rinse thoroughly with warm water and dry with a clean, soft cloth. The ideal cleaning technique is to always blot dry any water from metal surfaces. Allowing water to evaporate on metal will form water deposits. It is important to use a dabbing action to dry metal, not an abrasive or rubbing action.
- Never use cleaners containing abrasive cleansers, ammonia, bleach, acids, or chemicals that can damage the finish. By taking the time to dry your fittings often, soap and water deposits can be prevented.

Care and Cleaning (cont.)

- If your chrome or Vibrant® color/finish fittings get excessively dirty, consider using the following cleaners: Windex® Original, Fantastik® All Purpose, Spic and Span Pine Liquid, or Mr. Clean Springtime Fresh Scent. For solid color fittings, consider using these cleaners: Fantastik® All Purpose, Spic and Span Pine Liquid, or Mr. Clean Springtime Fresh Scent.
- Failure to comply with these cleaning instructions may void Kohler's warranty obligations.

Vitreous China and Fireclay

- Clean the outside surface of your vitreous china or fireclay product with mild soap and warm water. Wipe the entire surface completely dry with a clean, soft cloth. You may use soft abrasive cleaners when necessary to clean your fixture. Do not use strong abrasive cleaners, as they will scratch and dull the surface.
- If the surface becomes excessively dirty, use a general purpose cleaner such as: Fantastik® All Purpose, Lysol® Basin, Tub and Tile Cleaner, Soft Scrub® Multi Purpose, Scrub Free® Disinfectant Bathroom Cleaner, Clorox Clean-Up®, Spic and Span Liquid, Comet® Liquid Bathroom Cleaner, Scrubbing Bubbles® Bathroom Cleaner, Bar Keeper's Friend®, or Bon Ami®.

Marble

NOTE: Application of a stone sealer will help make natural stone surfaces less porous and more resistant to stains (stone sealer will not make the surface stain proof).

- Marble is a natural stone, thus its color and pattern can vary greatly. Each marble surface has its own distinct characteristics. This individuality makes each marble fixture a unique and original addition to your home.
- If a marble surface is given the proper care, it will retain its beauty and durability. Without regular cleaning, dust particles can settle on marble and can be ground into the surface and cause damage. Wash marble regularly with fresh warm water and a clean non-abrasive cloth. Add a neutral (ph balanced) cleaner to help remove dirt and grime.
- Avoid detergents that can be abrasive and contain chemicals high in acid or alkaline. Petroleum (or oils such as animal fat) can darken natural stone and leave a residue which, over time, can build up and turn yellow. This buildup is difficult to remove.

Care and Cleaning (cont.)

- Give marble the same attention you give to fine wood. Use coasters under all drink containers. Wipe up stains immediately. Do not allow heated items to come into contact with the marble surface. To protect against scratches, use felt, leather, or cork under all items placed on the marble surface.

Stainless Steel

- Rinse your stainless steel fixture thoroughly after each use, and use a dabbing action to dry with a clean, soft cloth. Clean stainless steel once a week.
- Always apply stainless steel cleaner/polish with a nonabrasive cloth or sponge, working with, not across the grain. **Do not** use steel wool, wire brushes or abrasive pads to clean your fixture.
- If you use cleaners containing chlorides, be sure to rinse the surface immediately after you clean it to avoid corrosion. **Do not** allow cleaners to remain in contact with the stainless steel surface for long periods of time.
- If the surface becomes excessively dirty, consider using baking soda, or a general purpose cleaner such as: Top Job with Ammonia, Spic and Span Liquid; Fantastik[®] All Purpose, Formula 409[®] All Purpose, or Lysol[®] Anti-Bacterial Kitchen Cleaner[™].
- **To clean stainless steel colored finishes**, rinse the surface thoroughly after each use, and use a dabbing action to dry with a clean, soft cloth. Do not use an abrasive or rubbing action, as that may scratch or dull the finish. If your stainless steel colored finish becomes excessively dirty, consider cleaning with Dow Scrubbing Bubbles[®] Liquid or Bleach Free Soft Scrub[®]. Never use cleaners containing abrasive cleansers, ammonia, acids, waxes, alcohol, or solvents on this surface, as they may damage the finish.

Wood Furniture

- One of the advantages of wood furniture is the ease of cleaning. As with any smooth surface, avoid using abrasive cleaners as they will scratch the surface. Wipe the wood surface regularly to prevent buildup of soap and scum.
- To protect against scratches, use felt, leather, or cork under all items placed on the marble surface. Do not expose wood furniture to direct sunlight, drying heat sources, or dampness.
- Dust frequently with a soft cloth in the direction of the grain. Use only products specifically made for cleaning wood. Avoid using oily polishes or waxes, or products containing silicone. Blot spills immediately with a soft, damp cloth.

Care and Cleaning (cont.)

- Every six months remove soil buildup by rubbing with a soft cloth dampened in a 50/50 solution of warm water and an ammonia-free detergent. Wipe clean with a cloth dampened in warm water and then wipe dry.
- Consider the following cleaners for cleaning your wood furniture: Orange Glo™ Wood Cleaner and Polish, and Scott's Liquid Gold™ Wood Cleaner and Preservative.

Glass and Mirror Surfaces

- **Do not** use bristle brushes or abrasive sponges on glass or mirror surfaces.
- Never use abrasive cleaners.
- Products to consider for use when cleaning your glass or mirror surface include: Formula 409® Glass and Surface Citrus Scent, Glass Plus®, and Windex® Original.

One-Year Limited Warranty — USA and Canada

KOHLER® plumbing fixtures, faucets and fittings are warranted to be free of defects in material and workmanship for one year from date of installation.

Kohler Co. will, at its election, repair, replace or make appropriate adjustment where Kohler Co. inspection discloses any such defects occurring in normal usage within one year after installation. Kohler Co. is not responsible for removal or installation costs.

To obtain warranty service, contact Kohler Co. either through your Dealer, Plumbing Contractor, Home Center or E-tailer, or by writing Kohler Co., Attn.: Customer Service Department, 444 Highland Drive, Kohler, WI 53044, USA, or by calling 1-800-4-KOHLER from within the USA, 1-800-964-5590 from within Canada and 001-877-680-1310 from within Mexico.

Implied warranties including that of merchantability and fitness for a particular purpose are expressly limited in duration to the duration of this warranty, Kohler Co. disclaims any liability for special, incidental or consequential damages. Some states/provinces do not allow limitations on how long an implied warranty lasts, or the exclusion or limitation of special, incidental or consequential damages so these limitations and exclusions may not apply to you. This warranty gives you specific legal rights. You may also have other rights which vary from state/province to state/province.

This is our exclusive written warranty.

One-Year Limited Warranty — USA and Canada (cont.)

Notes:

1. There may be variation in color fidelity between catalog images and actual plumbing fixtures.
2. Kohler Co. reserves the right to make changes in product characteristics, packaging or availability at any time with out notice.

COPYRIGHT © 1999, 2000, 2001, 2002 BY KOHLER CO.

One-Year Warranty — Mexico

KOHLER CO.

It is recommended that at the time of purchase, you verify that all accessories and components are complete in this package.

This Kohler product is warranted to be free of defects in material and workmanship for one (1) year from the date of purchase as shown on the invoice or receipt.

1. Kohler Co. will only service its commercialized products through its authorized distributors.
2. To obtain warranty service, please present the invoice and corresponding warranty.
3. Through its authorized distributors, Kohler Co. promises to repair the defective product or provide a new replacement or an equivalent model (in those cases that the model has been discontinued) when the product is beyond repair, without any charge to the consumer.
4. The time of repair will not exceed six (6) weeks commencing on the date the product is received.
5. It is recommended that the consumer save the invoice or receipt as additional protection, as it may substitute the warranty in the case that there is a discrepancy in the validity of the warranty.

EXCEPTIONS AND RESTRICTIONS

The Warranty will not be valid in the following cases:

1. When the product is not operated in accordance with the instructions concerning use and operation set forth in the owner's manual or installation instructions, and when the recommendations and warnings included are not observed.
2. When the product has been modified or dismantled partially or totally; or has been used in a negligent fashion and as a consequence has suffered damages attributable to the consumer, individual, or

One-Year Warranty — Mexico (cont.)

hardware not authorized by Kohler Co.

3. This warranty does not cover the damages as a result of disaster such as fire or acts of God, including flooding, earthquake, or electric storms, etc. To obtain a list of distributors in your area where you can exercise your rights under this warranty, please call 001-877-680-1310.

KOHLER CO., KOHLER, WI 53044 U.S.A.

IMPORTER:

INTERNACIONAL DE CERMICA, S.A. DE C.V.

AV. CARLOS PACHECO NO. 7200

CHIHUAHUA, CHIH., MEXICO C.P. 31060

TEL: 52 (14) 29-11-11

Guide du propriétaire

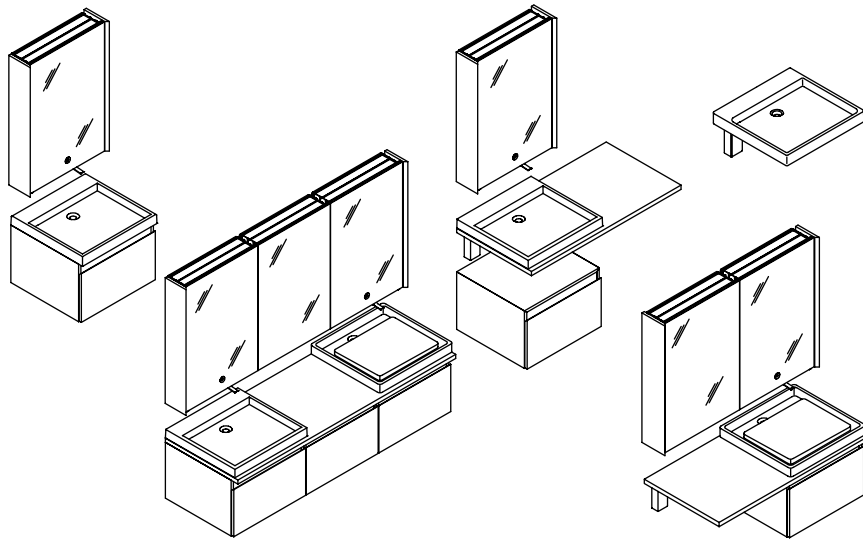
Appareil sanitaires

Merci d'avoir choisi la compagnie Kohler

Merci d'avoir choisi la ligne The Bold Look of Kohler. Le travail soigné des artisans de Kohler vous fera apprécier une rare combinaison de performances prouvées et une sophistication gracieuse, qui vous satisferont pour les années à venir. La fiabilité et la beauté de votre produit Kohler surpasseront vos plus grandes espérances. Chez Kohler, nous sommes fiers du rendement de nos produits et nous savons que vous le serez aussi.

Veillez prendre s'il vous plaît quelques minutes pour consulter ce guide du propriétaire. Prêter une attention toute particulière aux instructions d'entretien et de nettoyage.

Tous les renseignements contenus dans ce manuel ont été revus et corrigés avant sa publication. Chez Kohler, nous veillons constamment à améliorer la qualité de nos produits. Nous nous réservons le droit d'apporter des modifications aux caractéristiques, conditionnements et disponibilités des produits à tout moment, et ce sans préavis.



Votre meuble Kohler

Les meubles de salle de bains, les comptoirs et les lavabos sont conçus pour être attrayants et fonctionnels, ainsi qu'adaptés à votre espace. Les composants du meuble peuvent adopter des combinaisons multiples pour compléter votre style. Quelques configurations sont illustrées ci-dessus. Les composants du meuble consistent en l'un ou plusieurs des articles suivants:

- **Armoire de toilette avec miroir** - qui peut intégrer un robinet à débit laminaire qui verse l'eau directement dans le lavabo. Les armoires sont disponibles avec des étagères amovibles, portes à ouverture droite/gauche, porte d'accès aux composants du robinet fixe, prises électriques intégrées, et/ou tablettes réglables, et ces modules peuvent être monter ensemble en utilisant plusieurs configurations.
- **Meuble montage mural et vanité** - meubles sous comptoir ou indépendants ainsi que les vanités sont conçus pour être suspendus au-dessus du sol. Les meubles et vanités sont fabriqués avec du bois plaqué de haute qualité et sont équipés de tiroirs de rangement sur rails de haute qualité.

Votre meuble Kohler (cont.)

- **Comptoir en pierre volcanique** - fait de pierre volcanique naturelle, la surface grise naturelle met en valeur des variations naturelles, marques et dépôts de quartz. Les comptoirs sont fixés au mur et/ou reposent sur des meubles montés au mur et vanités.
- **Lavabo sur comptoir** - disponible comme surface humide ou bassin à fond surélevé ou en porcelaine à fond ouvert ou fermé. Les lavabos en argile réfractaire peuvent être installés sur des supports muraux ou sur un comptoir en pierre volcanique.

Entretien et nettoyage

Comptoirs en pierre volcanique

- Le comptoir en pierre volcanique consiste en un matériau naturel plus poreux que le granite ou marbre. Un produit d'étanchéité pour pierre a été appliqué à cette surface pour aider à la résistance contre les taches.
- Utiliser des nettoyeurs et détergents avec un chiffon doux ou une brosse souple pour nettoyer la surface.
- Ne pas employer des grattoirs en métal, des éponges abrasives ou du papier verre car ces produits abîmeront la surface.
- Nettoyer immédiatement les déversements.
- Dans le cas de taches, utiliser de l'acétone pour les éliminer. Appliquer immédiatement de l'étanchéité pour pierre juste après.
- Ce produit requiert des applications annuelles d'étanchéité pour pierre. Contacter un magasin spécialisé en marbre ou pierre ou bien Kohler Company pour des recommandations de joints d'étanchéité.

Laiton

- Comme tout appareil de qualité durable, les raccords en laiton Kohler exigent un certain entretien périodique pour conserver leur finition lustrée. Nettoyer les nouveaux raccords en laiton Kohler avec un savon doux et rincer rapidement avec de l'eau tiède, ensuite essuyer avec un chiffon doux et propre. La technique idéale de nettoyage est de toujours assécher toute eau des surfaces métalliques. Laisser l'eau s'évaporer sur le métal formera des dépôts visibles. Il est important d'essuyer le métal par petites touches et non pas de manière abrasive ou par frottement.

Entretien et nettoyage (cont.)

- Ne jamais utiliser de nettoyants abrasifs contenant de l'ammoniac, de l'eau javellisée, des acides ou des produits chimiques qui pourraient endommager la finition. En prenant le temps de souvent sécher les raccords, on peut empêcher la formation de dépôts de savon et d'eau.
- **Si la couleur/finition chrome ou Vibrant® des raccords devient excessivement sale**, considérer d'utiliser les détergents suivants: Windex® Original, Fantastik® Tout Usage, Spic et Span Pin Liquide, or Mr. Propre® Senteur Fraîche Printemps. **Pour les raccords de couleur solide**, considérer d'utiliser ces détergents: Fantastik® Tout usage, Spic et Span Pin Liquide, ou Mr. Propre® Senteur Printemps Fraîche.
- La non-observation de ces instructions de nettoyage pourrait entraîner l'annulation de la garantie Kohler.

Porcelaine vitrifiée et argile cuit

- Nettoyer la surface extérieure du produit en porcelaine vitrifiée ou en argile cuit avec un savon doux et de l'eau tiède. Essuyer complètement toute la surface avec un chiffon doux et propre. Vous pouvez utiliser des nettoyants abrasifs si nécessaire pour nettoyer votre évier. Ne pas utiliser de nettoyants abrasifs forts car ils pourraient rayer et abîmer la surface.
- Si la surface devient excessivement sale, utiliser un nettoyant à usage général, tel que: Fantastik® Tout Usage, Lysol® Nettoyant pour Lavabo, Baignoire et Carreaux, Soft Scrub® Tout Usage, Scrub Free® Désinfectant pour Salle de Bains, Clorox Clean-Up®, Spic et Span Liquide, Comet® Nettoyant Liquide pour salle de bains, Scrubbing Bubbles® Nettoyant pour Salle de bains, Bar Keeper's Friend®, ou Bon Ami®.

Marbre

REMARQUE : L'application d'un produit d'étanchéité pour pierre permettra de boucher les pores des surfaces en pierre et rendre le marbre plus résistant aux taches.

- Puisque le marbre est une pierre naturelle, sa couleur et son motif varient énormément. Chaque surface en marbre possède des caractéristiques uniques. Cette individualité fait de chaque meuble en marbre un accessoire original dans votre maison.

Entretien et nettoyage (cont.)

- Avec du soin adéquat, les surfaces en marbre conserveront leur beauté et durabilité. Si le nettoyage est inapproprié, la poussière peut s'accumuler et s'incruster sur le marbre, en causant des dommages. Laver fréquemment le marbre avec de l'eau tiède et un chiffon propre et doux. Ajouter un nettoyant neutre (ph équilibré) pour éliminer la saleté.
- Éviter d'utiliser des nettoyants abrasifs ou qui contiennent des agents alcalins ou acides. Les lubrifiants à base de pétrole peuvent foncer la pierre naturelle et laisser des résidus qui jauniront la surface avec le temps. Cela est difficile à réparer.
- Prêter une attention identique au marbre qu'au bois de haute qualité. Utiliser des dessous de verre. Essuyer immédiatement les taches. Ne pas permettre à des articles chauds de se mettre en contact avec la surface en marbre. Pour éviter les rayures, utiliser du feutre, cuir, ou liège sous tout article posé sur la surface en marbre.

Acier inoxydable

- Rincer l'appareil en acier inoxydable après chaque usage, et essuyer par petites touches avec un chiffon doux et propre. Nettoyer l'acier inoxydable une fois par semaine.
- Toujours utiliser un nettoyant pour acier inoxydable avec une éponge ou éssui non abrasif, travaillant dans le sens du grain et non contre. **Ne pas** utiliser de la laine en fer, de brosses métalliques ou d'éponges abrasives pour nettoyer l'appareil.
- Si un nettoyant à base de chlorures est utilisé, s'assurer de rincer immédiatement la surface après le nettoyage pour éviter la corrosion. **Ne pas** laisser des nettoyants longtemps en contact avec la surface en inox de l'évier.
- Si la surface devient excessivement sale, utiliser du bicarbonate de soude, ou un nettoyant à usage général, tel que: Top Job avec Ammoniac, Spic and Span Liquide; Fantastik® Tout Usage, Formule 409® Tout Usage, ou Lysol® Anti-Bacterial Kitchen Cleaner™.

Entretien et nettoyage (cont.)

- **Pour nettoyer les finitions couleurs en acier inoxydable**, rincer la surface soigneusement après chaque usage, et essuyer par petites touches avec un chiffon doux et propre. Ne pas utiliser d'action abrasive ou de frottement car cela pourrait rayer ou abîmer la finition. Si la finition couleur en acier inoxydable devient excessivement sale, considérer un nettoyant tel que Dow Scrubbing Bubbles® Liquide ou Bleach Free Soft Scrub®. Ne jamais utiliser de nettoyants abrasifs qui contiennent de l'ammoniac, de l'eau javellisée, des acides, des cires, de l'alcool ou des solvants car ils peuvent abîmer la finition.

Meubles en bois

- Un des avantages des meubles en bois est qu'il est facile à nettoyer. Tel que pour toute surface lisse, éviter l'utilisation de nettoyants abrasifs car il rayeraient la surface. Essuyer régulièrement la surface en bois pour éviter le dépôt de savon et saleté.
- Pour éviter les rayures, utiliser du feutre, cuir, ou liège sous tout article posé sur la surface en marbre. Ne pas exposer le meuble en bois à la lumière du soleil, aux sources de chaleur, ou à l'humidité.
- Épousseter fréquemment avec un chiffon doux dans le sens du grain. Utiliser uniquement des produits spécifiquement conçus pour l'entretien du bois. Éviter d'utiliser des cires à base d'huile, ou produits contenant de la silicone. Éliminer immédiatement les taches avec un chiffon doux et humide.
- Tous les six mois, retirer le dépôt de saleté en frottant avec un chiffon humidifié d'une solution 50/50 d'eau chaude et de détergent sans ammoniaque. Bien essuyer avec un chiffon humidifié d'eau chaude, et puis sécher.
- Considérer les nettoyants suivants pour l'entretien du meuble en bois: Orange Glo™ Wood Cleaner and Polish, et Scott's Liquid Gold™ Wood Cleaner and Preservative.

Surfaces en verre et miroir

- **Ne pas** utiliser des brosses en soie de porc ou d'éponges abrasives sur les surfaces en verre et miroir.
- Ne jamais utiliser des nettoyants abrasifs.
- Produits à considérer pour le nettoyage de la surface en verre ou miroir: Formula 409® Vitre et Surface Senteur citron, Vitre Plus®, et Windex® Original.

Garantie limitée d'un an — pour les É.U. et le Canada

Les robinets, appareils sanitaires et accessoires Kohler® sont garantis contre tout défaut matériel et de fabrication pour un an à partir de la date d'installation.

Kohler Co. jugera à sa discrétion, de la réparation, du remplacement ou du réglage approprié et ceci après toute inspection faite par Kohler Co. de tous défauts uniquement dûs à une utilisation normale et ceci pendant un an à partir de la date d'installation. Kohler Co. n'est pas responsable des coûts de démontage ou d'installation.

Pour obtenir un service-garantie, contacter Kohler Co. par l'intermédiaire de votre vendeur, plombier, centre de rénovation, revendeur par internet ou par écrit à l'attention de: Département du service clientèle, 444 Highland Drive, Kohler, Wisconsin 53044, USA, ou en composant le 1-800-4-KOHLER à partir des É.U., le 1-800-964-5590 à partir du Canada et le 001-877-680-1310 depuis le Mexique.

La durée des garanties tacites, y compris celles marchandes et d'aptitude à un emploi particulier, se limite expressément à la durée de la présente garantie. Kohler Co. décline toute responsabilité de tout dommage particulier, accidentel ou tout préjudice indirect.

Certains états/provinces ne permettent pas la limitation sur la durée de la garantie, ou l'exclusion ou la limitation spéciale, de dommages occasionnés, ou corrélatifs à un accident, ainsi ces limitations ou exclusions pourraient ne pas s'appliquer dans votre cas. La présente garantie vous donne des droits légaux spécifiques. Vous pouvez également avoir d'autres droits qui varient d'un état/province à l'autre.

Ceci constitue notre garantie écrite exclusive.

Remarques:

1. Il pourrait y avoir une variation de couleur entre des produits illustrés dans les catalogues et les appareils de plomberie actuels.
2. Kohler Co. se réserve le droit d'apporter toutes modifications aux caractéristiques, emballages et disponibilités des produits, à tout moment, et ceci sans préavis.

COPYRIGHT © 1999, 2000, 2001, 2002 PAR KOHLER CO.

Guía del usuario

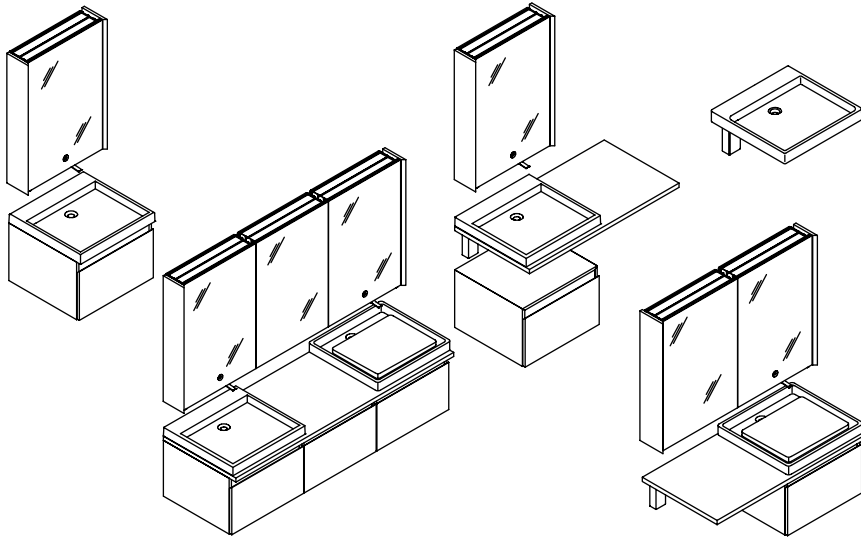
Muebles de baño

Gracias por elegir los productos de Kohler

Gracias por elegir la línea de productos de The Bold Look of Kohler. La artesanía de Kohler le ofrece una rara combinación de rendimiento comprobado y agraciada elegancia capaces de satisfacer sus exigencias durante muchos años. La fiabilidad y belleza de su producto Kohler sobrepasarán sus mayores expectativas. En Kohler, nos sentimos orgullosos de nuestros productos y sabemos que usted también lo estará.

Dedique unos minutos para leer esta Guía del usuario. Preste especial atención a las instrucciones de cuidado y limpieza.

Toda la información contenida en las instrucciones está basada en la información más reciente disponible al momento de su publicación. En Kohler, nos esforzamos constantemente por mejorar la calidad de nuestros productos. Por lo tanto, Kohler se reserva el derecho de efectuar cambios en las características del producto, embalaje o disponibilidad en cualquier momento, sin previo aviso.



Su mueble de Kohler

Los muebles, mostradores y lavabos están diseñados para ser funcionales y atractivos así como fáciles de adaptar a todo espacio. Estos componentes se pueden colocar en un sin fin de combinaciones para complementar su estilo. Se han ilustrado algunas configuraciones de ejemplo más arriba. Los componentes constan de lo siguiente:

- **Gabinete con espejo** - puede incluir un surtidor laminar que proyecta una fuente de agua al lavabo. Los gabinetes están disponibles con estantes extraíbles, puertas de bisagra, puertas de acceso a la grifería estacionaria, tomacorrientes eléctricos y estantes ajustables, y todo el conjunto puede combinarse del modo que mejor se adapte a sus necesidades.
- **Gabinete y tocador de montaje mural** - gabinetes y tocadores bajo el mostrador o autónomos, diseñados para colgarlos suspendidos a un nivel más arriba del piso. Los gabinetes y tocadores están hechos de madera contrachapada y equipados de cajones de guías deslizantes de alta calidad.

Su mueble de Kohler (cont.)

- **Mostrador de piedra volcánica** - fabricado de piedra volcánica natural, la superficie gris natural presenta variaciones naturales, marcas y depósitos de cuarzo. Los mostradores se fijan a la pared con soportes y/o se apoyan sobre gabinetes y tocadores de montaje mural.
- **Lavabo sobre mostrador** - disponible con superficie mojada o con fondo semiplano, así como una palangana opcional de porcelana de fondo abierto o cerrado. Los lavabos de arcilla refractaria o de mármol pueden colocarse sobre soportes murales o sobre un mostrador de piedra volcánica.

Cuidado y limpieza

Mostradores de piedra volcánica

- El mostrador de piedra volcánica es de un material natural más poroso que el granito y el mármol. Esta superficie lleva aplicado un sellador de piedra para ayudar a proteger contra manchas.
- Utilice limpiadores y detergentes con un paño suave o un cepillo de cerdas suaves para limpiar la superficie.
- No utilice estropajos de acero, esponjas abrasivas o papel de lija, ya que se deslustrará la superficie.
- Limpie de inmediato los derrames.
- En caso de que se llegue a manchar, utilice acetona para quitar la mancha. Prosiga inmediatamente con una aplicación de sellador de piedra.
- Este producto requiere aplicaciones anuales de sellador de piedra. Comuníquese con un taller especialista en mármol y piedra o con la empresa Kohler para obtener información sobre los selladores que se recomiendan.

Latón

- Al igual que con todos los productos de calidad perdurable, los accesorios de latón de Kohler requieren el cuidado periódico para mantener su acabado brillante. Limpie sus nuevos accesorios Kohler de latón con un detergente suave, enjuague bien con agua tibia y seque con un paño limpio y suave. La técnica de limpieza ideal consiste en secar siempre las superficies metálicas. Si deja que el agua se evapore en las superficies de metal, se formarán residuos. Es importante que seque las superficies de metal dando toquecitos suaves, sin utilizar productos abrasivos ni frotar.

Cuidado y limpieza (cont.)

- Nunca utilice productos de limpieza abrasivos o que contengan amoníaco, cloro (lejía), ácidos o productos químicos que puedan dañar el acabado. Al dedicar tiempo para secar sus accesorios con frecuencia, se podrán evitar los depósitos minerales del agua y jabón en la superficie.
- **Si el color/acabado de cromo o Vibrant® de sus accesorios se ensucia demasiado**, considere los siguientes productos de limpieza: Windex® Original, Fantastik® para todo uso, Spic and Span Líquido con fragancia de pino o Mr. Clean® con fragancia fresca de primavera. **Con los accesorios de un solo color**, considere estos productos de limpieza: Fantastik® para todo uso, Spic and Span Líquido con fragancia de pino o Mr. Clean® con fragancia fresca de primavera.
- El incumplimiento de estas instrucciones de limpieza puede anular las obligaciones establecidas en la garantía de Kohler.

Porcelana vitrificada y arcilla refractaria

- Limpie la superficie exterior de su producto de porcelana vitrificada o de arcilla refractaria con un detergente suave y agua tibia. Seque bien toda la superficie con un paño limpio y suave. Cuando sea necesario, puede limpiar su mueble con productos de limpieza abrasivos suaves. No utilice productos abrasivos fuertes, pues pueden rayar y opacar la superficie.
- Si la superficie se ensucia demasiado, utilice un producto limpiador de uso general, tal como: Fantastik® para todo uso, Lysol® limpiador de piletas, baños y azulejos, Soft Scrub® para todo uso, Scrub Free® desinfectante de baños, Clorox Clean-Up®, Spic and Span líquido, Comet® limpiador líquido de baños, Scrubbing Bubbles® limpiador de baños, Bar Keeper's Friend®, o Bon Ami®.

Mármol

NOTA: La aplicación de un sellador de piedra ayudará a disminuir la porosidad de la superficie y a aumentar la resistencia contra las manchas (el sellador de piedra no hará que la superficie sea a prueba de manchas).

- Puesto que el mármol es una piedra natural, el color y el diseño pueden variar significativamente en una misma pieza. Cada superficie de mármol posee características únicas. Esta individualidad hace de cada accesorio de mármol una adición original y única para su hogar.

Cuidado y limpieza (cont.)

- Si se presta el debido cuidado al mármol, su superficie mantendrá la belleza y durabilidad. La falta de limpieza periódica hará que el polvo se asiente en la superficie del mármol, causando así daños. Lave el mármol con regularidad usando agua tibia y un paño limpio no abrasivo. Para eliminar el polvo y la suciedad, emplee un limpiador neutro (pH balanceado).
- Evite el uso de detergentes abrasivos que contengan químicos muy ácidos o calcáreos. Los productos con altos contenidos de petróleo (o los aceites de grasa animal) pueden oscurecer el color natural de la piedra o dejar residuos que con el tiempo pueden tornarse amarillentos. Dichos residuos son difíciles de eliminar.
- Preste la misma atención al mármol que le da a la madera noble. Utilice portavasos bajo todos los envases de bebidas. Limpie las manchas inmediatamente. No permita que los artículos calientes se pongan en contacto con la superficie de mármol. Para proteger contra el rayado, utilice fieltro, cuero o corcho debajo de todos los artículos colocados sobre la superficie de mármol.

Acero Inoxidable

- Enjuague bien el acero inoxidable tras cada uso, y seque dando toquitos suaves con un paño limpio y suave. Limpie el acero inoxidable una vez a la semana.
- Aplique siempre un producto de limpieza o de pulir para el acero inoxidable con un paño o esponja no abrasiva, siguiendo la dirección de la veta y nunca en contra. **No** utilice esponjas o cepillos metálicos ni esponjas abrasivas para limpiar el producto.
- Si emplea productos de limpieza que contengan cloruros, asegúrese de enjuagar la superficie justo después de limpiarla para evitar la corrosión. **No** permita que los productos de limpieza permanezcan en contacto con la superficie de acero inoxidable prolongadamente.
- Si la superficie se ensucia demasiado, considere el uso de bicarbonato de soda o un producto limpiador de uso general, tal como: Top Job con amoniaco, Spic and Span Líquido; Fantastik[®] para todo uso, Formula 409[®] para todo uso o Lysol[®] Anti-Bacterial Kitchen Cleaner[™].

Cuidado y limpieza (cont.)

- **Para limpiar los acabados en acero inoxidable de color**, enjuague bien la superficie tras cada uso y seque dando toquecitos suaves con un paño limpio y suave. No utilice productos abrasivos ni frote, pues podría rayar y opacar el acabado. Si el acabado en acero inoxidable de color se ensucia demasiado, límpielo con Dow Scrubbing Bubbles® Líquido o Bleach Free Soft Scrub®. No utilice nunca limpiadores que contengan agentes abrasivos, amoníaco, ácidos, ceras, alcohol o disolventes en esta superficie, pues pueden dañar el acabado.

Muebles de madera

- Una de las ventajas de los muebles de madera es que son fáciles de limpiar. Como con cualquier superficie lisa, evite los productos de limpieza abrasivos ya que rayarán la superficie. Limpie la superficie de madera con regularidad para evitar la acumulación de jabón y suciedad.
- Para proteger contra el rayado, utilice fieltro, cuero o corcho debajo de todos los artículos colocados sobre la superficie de mármol. No exponga los muebles de madera directamente a la luz del sol, fuentes de calor o humedad.
- Limpie el polvo con frecuencia utilizando un paño suave siguiendo la dirección de la veta. Utilice sólo productos hechos específicamente para limpiar la madera. Evite utilizar ceras o productos para pulir aceitosos o productos que contengan silicona. Seque los derrames de inmediato sin frotar con un paño suave y húmedo.
- Elimine la acumulación de suciedad cada seis meses frotando con un paño suave humedecido en una solución a partes iguales de agua tibia y un detergente sin amoníaco. Limpie con un paño humedecido en agua tibia y luego séquelo.
- Considere los siguientes productos de limpieza para limpiar su mueble de madera: Orange Glo™ producto para limpiar y pulir la madera, y Scott's Liquid Gold™ producto para limpiar y proteger la madera.

Superficies de vidrio y espejo

- **No utilice cepillos de cerdas o esponjas abrasivas** en las superficies de vidrio o espejo.
- Nunca utilice productos de limpieza abrasivos.
- Considere los siguientes productos para limpiar las superficies de vidrio o espejo: Formula 409® para vidrios y superficies con fragancia de limón, Glass Plus®, y Windex® Original.

Garantía limitada de un año - Estados Unidos y Canadá

Se garantiza que los aparatos sanitarios, accesorios y la grifería de KOHLER® están libres de defectos de material y fabricación por un año a partir de la fecha de instalación.

Kohler Co., a su elección, reparará, reemplazará o hará los ajustes apropiados en los casos en que la inspección realizada por Kohler Co. demuestre la presencia de cualquier defecto ocurrido con el uso normal en el transcurso de un año desde la fecha de la instalación. Kohler Co. no se hace responsable por los gastos de instalación o remoción.

Para obtener el servicio de garantía, comuníquese con Kohler a través de su distribuidor, contratista de plomería o distribuidor a través de Internet, o escriba directamente a: Kohler Co., Att: Customer Service Department, 444 Highland Drive, Kohler, WI 53044, USA, o llame al 1-800-4-KOHLER desde los Estados Unidos, al 1-800-964-5590 desde Canadá, o al 001-877-680-1310 desde México.

Toda garantía implícita en relación a productos de uso comercial, incluyendo la comercialización e idoneidad del producto para un uso determinado, se limita expresamente a la duración de la presente garantía. Kohler Co. no se hace responsable por daños indirectos, incidentales o emergentes. Algunos estados/provincias no permiten limitaciones en cuanto a la duración de la garantía implícita o a la exclusión o limitación de daños incidentales o de consecuencia, por lo que es posible que estas limitaciones y exclusiones no le afecten. La presente garantía le otorga ciertos derechos legales específicos. Además, es posible que usted cuente con derechos que varían de estado a estado y provincia a provincia.

El presente documento constituye nuestra garantía exclusiva por escrito.

Notas:

1. Puede que haya leves variaciones de color entre las imágenes del catálogo y los aparatos sanitarios actuales.
2. Kohler Co. se reserva el derecho de efectuar cambios en las características del producto, embalaje o disponibilidad en cualquier momento, sin previo aviso.

COPYRIGHT © 1999, 2000, 2001, 2002 POR KOHLER CO.

Garantía de un año — México

KOHLER CO.

Al adquirir el producto, se recomienda verificar que todos los

Garantía de un año — México (cont.)

accesorios y componentes contenidos en la caja estén completos.

Kohler Co. garantiza la falta de defectos de material o fabricación en este producto, por un (1) año, a partir de la fecha de compra que aparece en la factura o recibo.

1. Kohler Co. prestará servicio únicamente a los productos comercializados a través de sus distribuidores autorizados.
2. A fin de obtener el servicio de garantía, favor de presentar la factura de compra y la garantía correspondiente.
3. Kohler Co., a través de sus distribuidores autorizados, se compromete a reparar el producto defectuoso o a reemplazarlo por uno nuevo o equivalente (en caso de que el producto esté descontinuado) cuando no sea posible la reparación, sin ningún cargo al consumidor.
4. El tiempo de reparación no excederá de seis (6) semanas, a partir de la fecha de recepción del producto.
5. Se recomienda al consumidor que conserve el recibo o factura de compra como protección adicional, pues el mismo puede sustituir a la garantía, en caso de que exista discrepancia en cuanto a la validez de la misma.

EXCEPCIONES Y RESTRICCIONES

La garantía no tendrá validez en los siguientes casos:

1. Cuando el producto no se haya utilizado conforme a las instrucciones de uso y funcionamiento incluidas en el manual del usuario y cuando no se hayan observado las recomendaciones y advertencias allí contenidas.
2. Cuando el producto se haya modificado o desmantelado parcial o totalmente; o manipulado de manera negligente y, como consecuencia, haya sufrido daños atribuibles al consumidor, persona o talleres no autorizados por Kohler Co.
3. Esta garantía no cubre los daños que resulten como consecuencia de desastres naturales, tales como incendios o actos divinos, incluyendo inundaciones, tormentas eléctricas u otros. Para obtener una lista de distribuidores cerca de usted y así hacer valer sus derechos bajo esta garantía, llame al 001-877-680-1310.

KOHLER CO., KOHLER, WI 53044 U.S.A.

IMPORTADOR:

INTERNACIONAL DE CERÁMICA, S.A. DE C.V.

Garantía de un año — México (cont.)

AV. CARLOS PACHECO NO. 7200

CHIHUAHUA, CHIH., MÉXICO C.P. 31060

TEL: 52 (14) 29-11-11

1012577-5-F

1012577-5-F

USA: 1-800-4-KOHLER
Canada: 1-800-964-5590
México: 001-877-680-1310

kohler.com

THE BOLD LOOK
OF **KOHLER**®

©2005 Kohler Co.

1012577-5-F