

Features

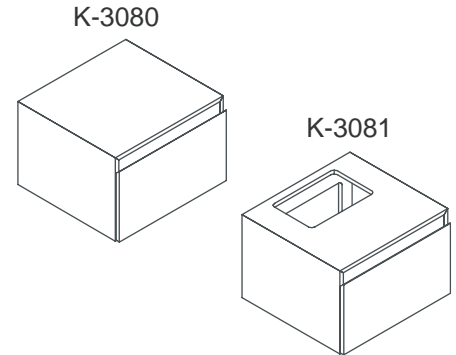
- *Hardwood veneers*
- *Full-extension drawer*
- *Catalyzed conversion varnish to help prevent water damage*
- *Complements Purist® Suite*
- *24" (61 cm) x 16" (40.6 cm) x 22-1/2" (57.2 cm)*

WALL-MOUNT CABINET/VANITY K-3080 ALSO K-3081

Codes/Standards Applicable

Specified model meets or exceeds the following:

- *None applicable*



Colors/Finishes

- F4: Black Walnut
- F5: White Oak

Specified Model

Model	Description	Colors/Finishes	
K-3080	Wall-mount cabinet	<input type="checkbox"/> F4	<input type="checkbox"/> F5
K-3081	Wall-mount vanity	<input type="checkbox"/> F4	<input type="checkbox"/> F5

Recommended Lavatory for K-3081

K-2313	Wading Pool™ wet surface lavatory, without faucet holes	<input type="checkbox"/> 0	<input type="checkbox"/> Other
K-2314	Wading Pool™ lavatory, without faucet holes	<input type="checkbox"/> 0	<input type="checkbox"/> Other
K-2314-1	Wading Pool™ lavatory, single-hole	<input type="checkbox"/> 0	<input type="checkbox"/> Other
K-2314-4	Wading Pool™ lavatory, 4" (10.2 cm) centers	<input type="checkbox"/> 0	<input type="checkbox"/> Other
K-2314-8	Wading Pool™, 8" (20.3 cm) centers	<input type="checkbox"/> 0	<input type="checkbox"/> Other

Recommended Lavatory for K-3080

K-3021	24" (61 cm) Natural lavastone countertop	<input type="checkbox"/> NA
--------	--	-----------------------------

Recommended Accessory

K-3031	48" (121.9 cm) natural lavastone countertop, plumbing cut-out right	<input type="checkbox"/> NA
K-3032	48" (121.9 cm) natural lavastone countertop, plumbing cut-out left	<input type="checkbox"/> NA
K-3033	72" (182.9 cm) natural lavastone countertop, plumbing cut-out center	<input type="checkbox"/> NA
K-3034	72" (182.9 cm) natural lavastone countertop, plumbing cut-out on left and right	<input type="checkbox"/> NA

Product Specification

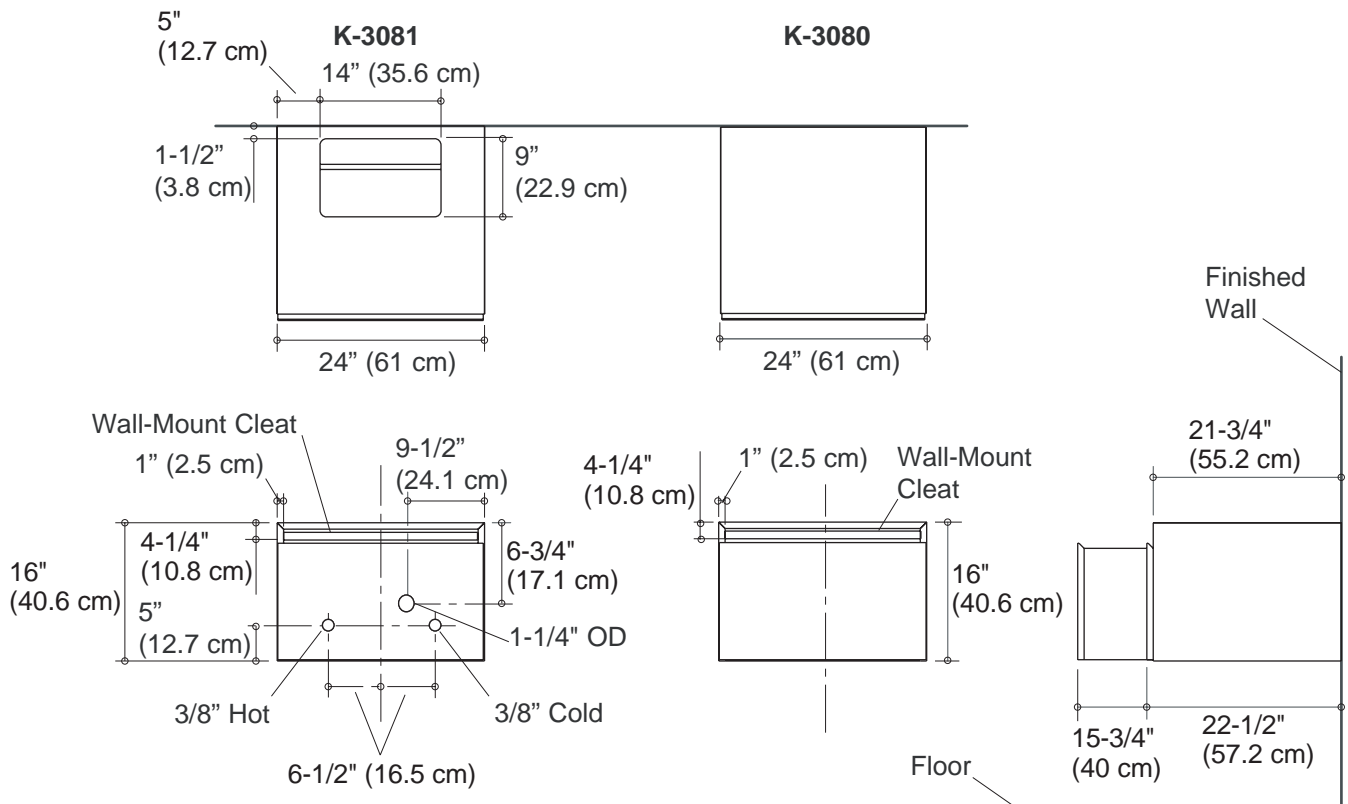
The wall-mount cabinet/vanity shall be 24" (61 cm) in length, 16" (40.6 cm) in height, and 22-1/2" (57.2 cm) in depth. Product shall be made of hardwood veneers with catalyzed conversion varnish to help prevent water damage. Product shall feature a full-extension storage door. Product shall complement the Purist Suite. Product shall be Kohler Model K-____-____.

PURIST®

Installation Notes

Install this product according to the installation guide.

Wall reinforcement is required.



Product Diagram