

Installation Guide

Natural Lavastone Countertops and Mounting Brackets

K-3007, K-3021, K-3031,
K-3032, K-3033, K-3034,
K-9667, K-9676

M product numbers are for Mexico (i.e. K-12345**M**)
Los números de productos seguidos de
M corresponden a México (Ej.
K-12345**M**)
Français, page "Français-1"
Español, página "Español-1"

1012594-2-C

THE BOLD LOOK
OF **KOHLER**®

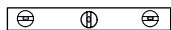
Tools and Materials



Pencil



Measuring
Tape



Level

Plus:

- Framing Nails
- Lag Screws
- Bracket(s)
- Silicone Sealant



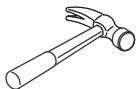
Safety
Glasses



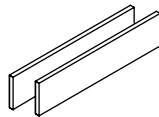
Drill



Phillips
Screwdriver



Claw
Hammer



2x12 Lumber

Thank You For Choosing Kohler Company

We appreciate your commitment to Kohler quality. Please take a few minutes to review this manual before you start installation. If you encounter any installation or performance problems, please don't hesitate to contact us. Our phone numbers and website are listed on the back cover. Thanks again for choosing Kohler Company.

Before You Begin



CAUTION: Risk of personal injury. Lavastone is an extremely dense, heavy material. Do not attempt to lift or install the lavastone countertop without assistance.



CAUTION: Risk of personal injury. Always wear safety glasses when drilling.



CAUTION: Risk of personal injury. *Installation of a header is critical for this product.* Walls constructed of wood or steel studs will not properly support the lavastone countertop. A header constructed of 2x12 lumber is required.



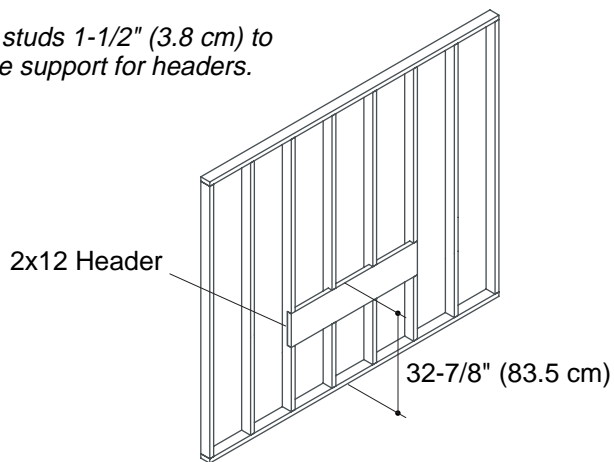
CAUTION: Risk of product damage and personal injury. If the countertop is not level, it may break. Ensure the brackets, wall-mount cabinet, and/or vanity are level before installing the countertop.

- Observe all local building codes.
- Remove the countertop from its carton and inspect for damage.

Before You Begin (cont.)

- Certain components (cabinets, vanities, countertops, lavatories, etc.) should be installed before others. When installing multiple components, read all product installation instructions before beginning the lavastone countertop installation.
- Use the proper lag screws (not provided) for your installation.
- Determine the different components that will be installed along with the lavastone countertop. Map out the installation to determine the required quantity and placement of the brackets. Consult the "Determine Bracket Locations" section of this guide for configuration options.
- The K-3081 wall-mount vanity should be installed under the lavatory and the K-3080 wall-mount cabinet should be installed under the countertop. Refer to the instructions packed with these products for proper installation.
- Wall-mount cabinets and vanities are attached to the countertop using silicone sealant (not supplied). The bolts and washers provided with the countertop should not be used for wall-mount cabinet and vanity installations.
- Do not complete the finished wall until headers for each component in your installation have been installed.
- Do not complete the finished wall until all necessary plumbing and electrical rough-ins have been completed.

Notch studs 1-1/2" (3.8 cm) to provide support for headers.



1. Wall Preparation



CAUTION: Risk of personal injury. *Installation of a header is critical for this product.* Walls constructed of wood or steel studs will not properly support the lavastone countertop. A header constructed of 2x12 lumber is required.



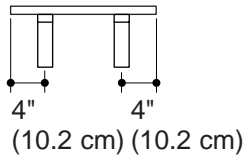
CAUTION: Risk of product damage and personal injury. Extend the header beyond the countertop to the nearest stud. This will ensure proper support for the countertop.



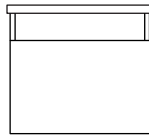
CAUTION: Risk of product damage and personal injury. Do not install the header to steel studs. Do not splice studs. Notch out as directed.

- Using 2x12 lumber, construct a header the equal to the length of the countertop or extended out to the nearest stud.
- Measure 32-7/8" (83.5 cm) up from the floor. This will be the height from the top of the header to the floor.
- Notch out the front of the studs 1-1/2" (3.8 cm), as illustrated. This will ensure proper support of the header.
- Secure the header to the studs with framing nails.
- Rough-in the supplies, drain, and trap.
- Complete the finished wall.

24" Lavastone Countertop

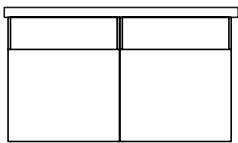


Two brackets required.

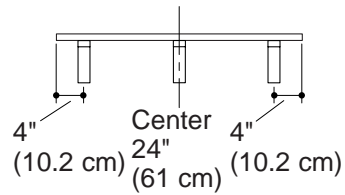


No brackets required.

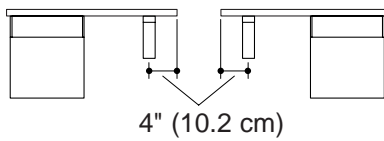
48" Lavastone Left or Right Cut-out Countertop



No brackets required.



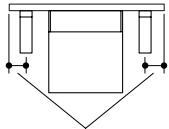
Three brackets required.



One bracket required. One bracket required.

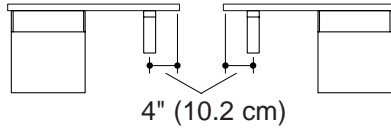
2. Determine the Bracket Location

48" Center Cut-out Countertop



4" (10.2 cm)

Two brackets required.

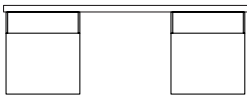


4" (10.2 cm)

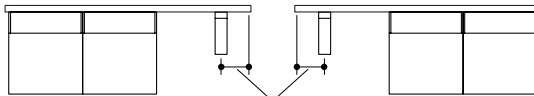
One bracket required.

One bracket required.

72" Lavastone Cut-out Countertop



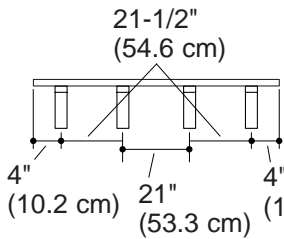
No brackets required.



4" (10.2 cm)

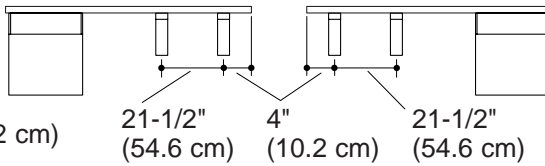
One bracket required.

One bracket required.



4" (10.2 cm) 21" (53.3 cm) 4" (10.2 cm)

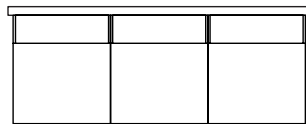
Four brackets required.



21-1/2" (54.6 cm) 4" (10.2 cm) 21-1/2" (54.6 cm)

Two brackets required.

Two brackets required.



No brackets required.

3. Determine the Bracket Location

Determine the Bracket Location (cont.)

Your furniture, countertops, and lavatories are designed to be functional and attractive as well as adaptive to your room and wall space. Your furniture components can be arranged into endless combinations to complement your style. Identify your configuration to determine the required quantity and required location of the brackets.

IMPORTANT! The threaded inserts in the bottom of the countertop must align with the corresponding holes on the top of the brackets. It is critical to align the mounting hole of each bracket against the wall at one, two, or three of the following locations depending on the configuration selected.

For 24" (61 cm) countertops: 4" (10.2 cm) in from each end of the countertop length.

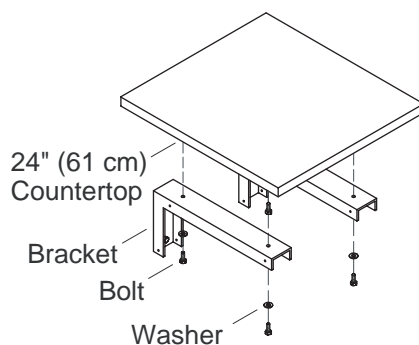
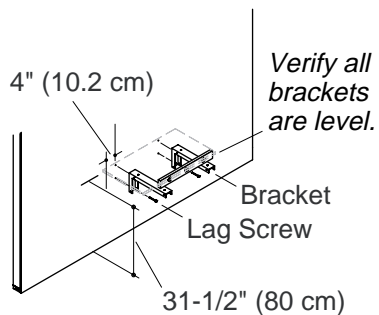
For 48" (121.9 cm) left or right cut-out countertops: 4" (10.2 cm) in from each end of the countertop length and 24" (61 cm) center.

For 48" (121.9 cm) center cut-out countertops: 4" (10.2 cm) in from each end of the countertop length.

For 72" (182.9 cm) countertops: 4" (10.2 cm) in from each end of the countertop length and 25-1/2" (64.8 cm) in from each end of the countertop length.

To properly install the brackets, proceed to the section that applies to your countertop length.

If brackets are not required for your installation, proceed to the "Install the Components and the Countertop" section of this guide.



4. Install Brackets for the 24" (61 cm) Countertop

CAUTION: Risk of product damage and personal injury. If the countertop is not level, it may break. Ensure the brackets are level before installing the countertop.

CAUTION: Risk of personal injury. Lavastone is an extremely dense, heavy material. The 24" (61 cm) countertop weighs approximately 50 lbs. (23 kg). Do not attempt to lift or install the lavastone countertop without assistance.

NOTE: If a wall-mount cabinet or vanity will be installed, brackets are not required. Immediately proceed to the "Install the Components and Countertop" section of this guide.

- Measure and mark 31-1/2" (80 cm) from the floor to the header.
- Using a level, draw a 24" (61 cm) horizontal line through the marked height. This will be the horizontal position of the bottom of the countertop.

IMPORTANT! Ensure the top of the brackets are aligned with the horizontal line.

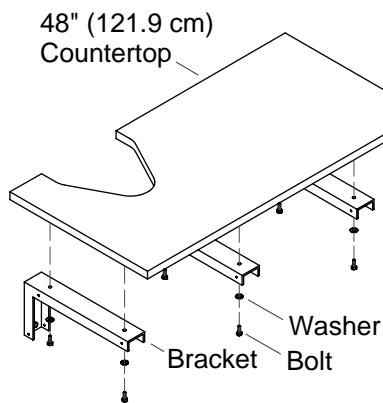
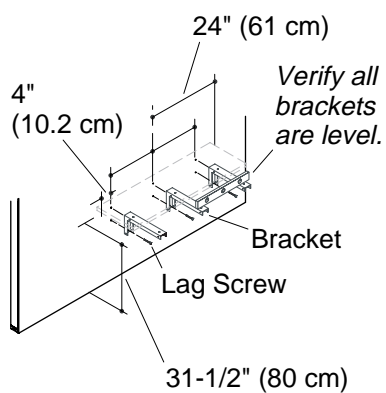
- Place the mounting hole of each bracket 4" (10.2 cm) in from each end of the horizontal line.
- Mark the mounting hole of each bracket with a pencil.
- Set the brackets aside.
- Verify the marked mounting hole locations are level.

Install Brackets for the 24" (61 cm) Countertop (cont.)

- Drill the mounting holes.
- Attach the brackets to the wall using the proper lag screws (not provided). The type of lag screw needed will vary according to the finished wall thickness.
- Verify the mounted brackets are level.

NOTE: If the brackets are not level, shim between the bracket and the wall.

- Place the countertop on top of the brackets.
- Align the threaded inserts in the bottom of the countertop with the corresponding holes in the brackets.
- Attach the countertop to the brackets using the bolts and washers provided.
- Proceed to the "Install the Bracket Covers" section.



5. Install Brackets for the 48" (121.9 cm) Countertop



CAUTION: Risk of personal injury. Lavastone is an extremely dense, heavy material. The 48" (121.9 cm) countertop weighs approximately 100 lbs. (46 kg). Do not attempt to lift or install lavastone countertop without assistance.



CAUTION: Risk of product damage and personal injury. If the countertop is not level, it may break. Ensure the brackets and/or components are level before installing the countertop.

NOTE: The 48" (121.9 cm) countertop is available with a left, right, or center lavatory cut-out option. For center cut-out countertops, do not install a bracket at the center location of the countertop.

- Measure and mark 31-1/2" (80 cm) from the floor to the header.
- Using a level, draw a 48" (121.9 cm) horizontal line through the marked height.

IMPORTANT! Ensure the top of the bracket(s) is/are aligned with the horizontal line.

- Place the mounting hole(s) of the bracket(s) at the required mounting location(s).
- Mark the mounting hole location(s) for the bracket(s).
- Set the bracket(s) aside.
- Verify the marked mounting hole location(s) is/are level.
- Drill the mounting hole(s).

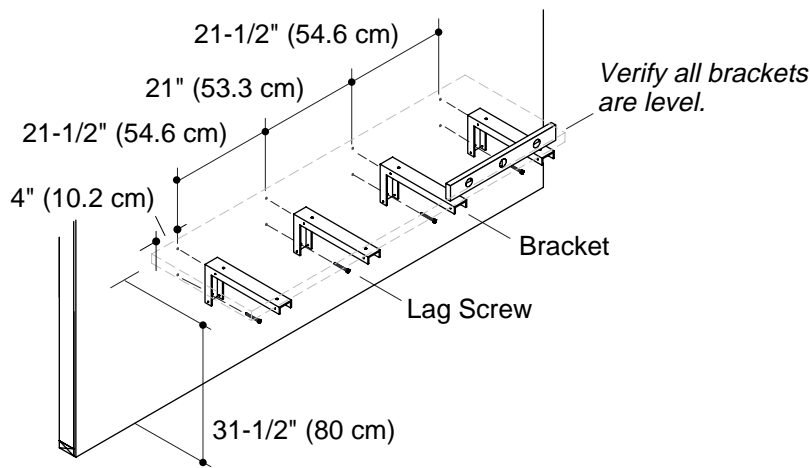
Install Brackets for the 48" (121.9 cm) Countertop (cont.)

- Attach the bracket(s) to the wall using the proper lag screw(s) (not provided). The type of lag screw needed will vary according to the finished wall thickness.
- Verify the mounted bracket(s) is/are level.

IMPORTANT! If wall-mount cabinets or vanities need to be installed, immediately proceed to the "Install the Components and Countertop" section of the guide. Do not continue with this procedure.

For installations using brackets only:

- Place the countertop on top of the bracket(s).
- Align the threaded insert(s) in the bottom of the countertop with the corresponding hole of the bracket(s).
- Attach the countertop to the bracket(s) using the bolt(s) and washer(s) provided.



6. Install Brackets for the 72" (182.9 cm) Countertop

CAUTION: Risk of personal injury. Lavastone is an extremely dense, heavy material. The 72" (182.9 cm) countertop weighs approximately 200 lbs. (91 kg). Do not attempt to lift or install the lavastone countertop without assistance.

CAUTION: Risk of product damage and personal injury. If the countertop is not level, it may break. Ensure the brackets and/or components are level before installing the countertop.

NOTE: The 72" (182.9 cm) countertop is available with a left, right, or a single centered lavatory cut-out option.

- Measure and mark 31-1/2" (80 cm) from the floor to the header. This will be the height of the top of the bracket(s).
- Using a level, draw a 72" (182.9 cm) horizontal line through the marked height. This will be the horizontal position of the bottom of the countertop.

IMPORTANT! Ensure the top of the bracket(s) is/are aligned with the horizontal line.

- Place the mounting hole(s) of the bracket(s) at the required mounting location(s).
- Mark the mounting hole location(s) for the bracket(s).
- Set the bracket(s) aside.
- Verify the marked mounting hole location(s) is/are level.

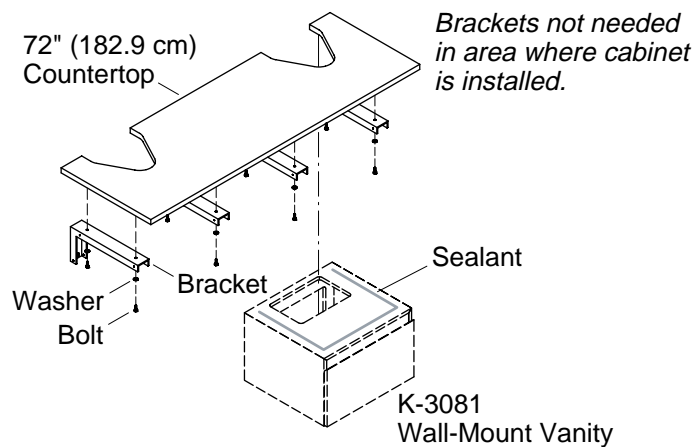
Install Brackets for the 72" (182.9 cm) Countertop (cont.)

- Drill the mounting hole(s).
- Attach the bracket(s) to the wall using the proper lag screw(s) (not provided). The type of lag screw needed will vary according to the finished wall thickness.
- Verify the mounted bracket(s) is/are level.

IMPORTANT! If wall-mount cabinets or vanities need to be installed, immediately proceed to the "Install the Components and Countertop" section of the guide. Do not continue with this procedure.

For installations using brackets only:

- Place the countertop on top of the bracket(s).
- Align the threaded insert(s) in the bottom of the countertop with the corresponding hole of the bracket(s).
- Attach the countertop to the bracket(s) using the bolt(s) and washer(s) provided.



7. Install the Components and the Countertop

CAUTION: Risk of personal injury. Lavastone is an extremely dense, heavy material. Do not attempt to lift or install the lavastone countertop without assistance.

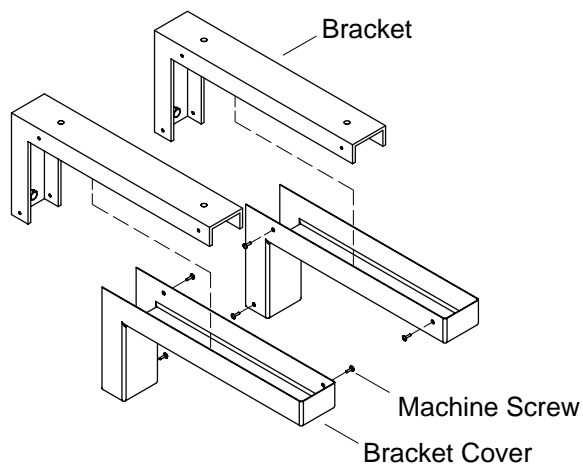
CAUTION: Risk of product damage and personal injury. If the countertop is not level, it may break. Ensure the wall-mount cabinets and/or vanities are level before installing the countertop.

For installations using components:

- Install the wall-mount cabinets and/or vanities according to the instructions packed with the product.
- Ensure the components are clean and dry.
- Apply silicone sealant to the perimeter of the top of each wall-mount cabinet and/or vanity.
- Properly position the countertop over each bracket (if applicable) and/or component. Ensure the countertop is flush against the wall.
- Allow the silicone sealant to cure for 24 hours before use.

For installations requiring brackets:

- Attach the countertop to the bracket(s) using the bolt(s) and washer(s) provided.



8. Install the Bracket Covers

- Place the bracket covers onto the brackets.

NOTE: Use the correct bracket cover for a left or right facing bracket. Screw holes on the cover should face inward.

- Secure the bracket covers to the brackets with the machine screws provided.

9. Install the Lavatory (if applicable)

- Refer to the lavatory installation instructions packed with the product.

Guide d'installation

Pierre volcanique naturelle Comptoirs et supports de montage

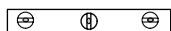
Outils et Matériaux



Crayon
à papier



Mètre
ruban



Niveau à bulle

Plus:

- Clous de cadrage
- Tire-fonds
- Support(s)
- Joint silicone



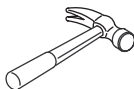
Lunettes
de protection



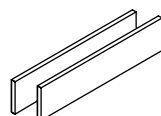
Perceuse



Tournevis
cruciforme



Marteau de
charpentier



Montant de 2x12

Merci d'avoir choisi la compagnie Kohler

Nous apprécions votre engagement envers la qualité Kohler. Veuillez prendre s'il vous plaît quelques minutes pour lire ce manuel avant de commencer l'installation. Ne pas hésiter à nous contacter en cas de problème d'installation ou de fonctionnement. Nos numéros de téléphone et notre adresse du site internet sont au verso. Merci encore d'avoir choisi la compagnie Kohler.

Avant de commencer



ATTENTION : Risque de blessure corporelle. La pierre volcanique est un matériau très dense et lourd. Ne pas essayer de soulever ou d'installer le comptoir en pierre volcanique sans assistance.



ATTENTION : Risque de blessure corporelle. Toujours porter des lunettes de protection lors du forage.



ATTENTION : Risque de blessure corporelle. L'installation d'un linteau est critique pour ce produit. Les murs construits en montants de bois ou d'acier ne supporteront pas correctement le comptoir en pierre volcanique. Un linteau construit en bois de 2 x 12 est requis.

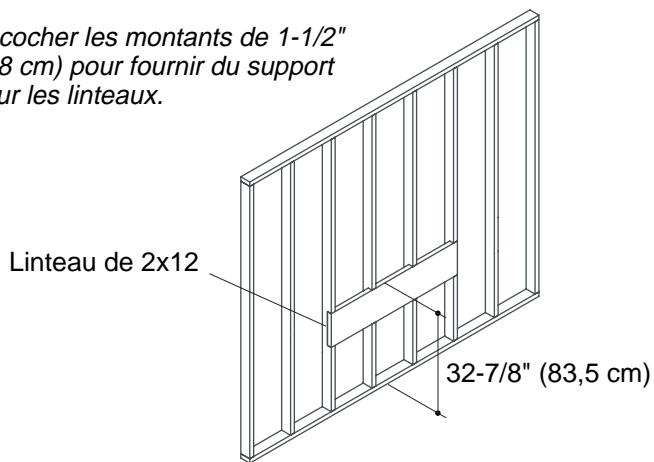
Avant de commencer (cont.)



ATTENTION : Risque de blessures ou d'endommagement du produit. Si le comptoir n'est pas nivelé, il pourrait casser. S'assurer que les supports, le meuble à montage mural soient nivelés avant l'installation du comptoir.

- Respecter tous les codes de construction locaux.
- Déballer le comptoir et l'examiner soigneusement pour déceler tout dommage.
- Certains composants (meubles, comptoirs, lavabos, etc.) devraient être installés avant d'autres. Lors de l'installation de composants multiples, lire toutes les instructions d'installation du produit avant de commencer l'installation du comptoir en pierre volcanique.
- Utiliser les tire-fonds appropriés (non inclus) pour votre installation.
- Déterminer les différents composants qui seront installés avec le comptoir en pierre volcanique. Cartographier l'installation pour déterminer la quantité de supports et l'emplacement requis. Consulter la section "Déterminer les emplacements du support" de ce guide pour les options de configuration.
- Le meuble à montage mural K-3081 devrait être installé sous le lavabo et le K-3080 sous le comptoir. Se référer aux instructions emballées avec ces produits pour une bonne installation.
- Les meubles à montage mural sont attachés au comptoir avec de la silicone résistante (non fournie). Les boulons et rondelles fournis avec le comptoir ne devraient pas être utilisés pour des installations de meubles à montage mural.
- Ne pas compléter le mur fini jusqu'à fixer les renforts pour chaque composant à installer.
- Ne pas compléter le mur fini jusqu'à ce que tous les raccords de plomberie et électriques aient été complétés.

Encocher les montants de 1-1/2"
(3,8 cm) pour fournir du support
pour les linteaux.



1. Préparation du mur



ATTENTION : Risque de blessure corporelle. L'installation d'un linteau est critique pour ce produit. Les murs construits en montants de bois ou d'acier ne supporteront pas correctement le comptoir en pierre volcanique. Un linteau construit en bois de 2 x 12 est requis.



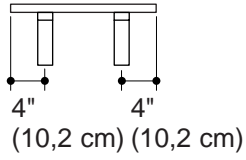
ATTENTION : Risque de blessures ou d'endommagement du produit. Étendre le linteau au-delà du comptoir au montant le plus proche. Cela assurera un support approprié pour le comptoir.



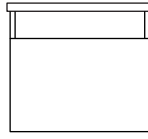
ATTENTION : Risque de blessures ou d'endommagement du produit. Ne pas installer le linteau aux montants d'acier. Ne pas épisser les montants. Encocher tel qu'indiqué.

- En utilisant du bois de 2 x 12, construire un linteau de longueur égale au comptoir ou étendue au montant le plus proche.
- Mesurer 32-7/8" (83,5 cm) du sol. Ceci sera la hauteur du linteau au sol.
- Encocher l'avant des montants de 1-1/2" (3,8 cm), tel qu'illustré. Ceci assurera le support approprié du linteau.
- Sécuriser le linteau aux montants avec des clous de cadrage.
- Raccorder les alimentations, le drain et le siphon.
- Compléter le mur fini.

Comptoir en pierre volcanique de 24"

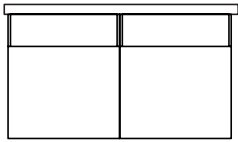


Deux supports requis.

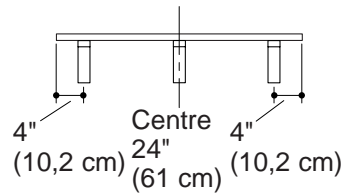


Aucun support requis.

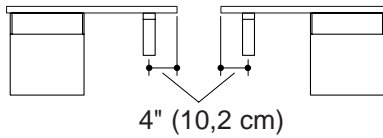
Découpe de 48" droite ou gauche de comptoir en pierre volcanique



Aucun support requis.



Trois support requis.

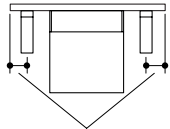


Un support requis.

Un support requis.

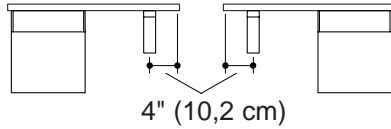
2. Déterminer l'emplacement du support

Découpe centrale de comptoir de 48"



4" (10,2 cm)

Deux supports requis.

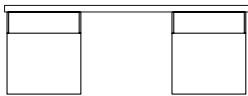


4" (10,2 cm)

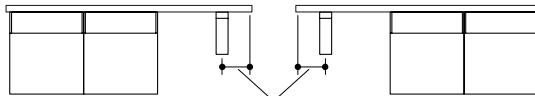
Un support requis.

Un support requis.

Découpe centrale de comptoir en pierre volcanique de 72"



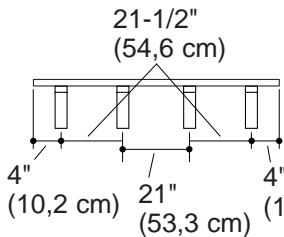
Aucun support requis.



4" (10,2 cm)

Un support requis.

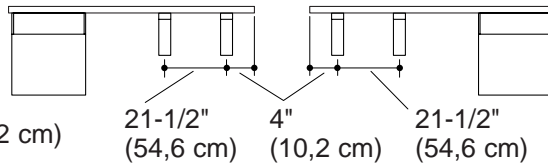
Un support requis.



21-1/2"
(54,6 cm)

4"
(10,2 cm) 21"
(53,3 cm) 4"
(10,2 cm)

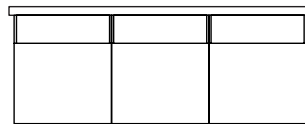
Quatre supports requis.



21-1/2"
(54,6 cm) 4"
(10,2 cm) 21-1/2"
(54,6 cm)

Deux supports requis.

Deux supports requis.



Aucun support requis.

3. Déterminer l'emplacement du support

Déterminer l'emplacement du support (cont.)

Les meubles de salle de bains, les comptoirs et les lavabos sont conçus pour être attrayants et fonctionnels, ainsi qu'adaptés à votre espace. Les composants du meuble peuvent adopter des combinaisons multiples pour compléter votre style. Identifier la configuration pour déterminer la quantité requise et l'emplacement des supports.

IMPORTANT ! Les insertions filetées à la base du comptoir doit s'aligner avec les orifices correspondants au-dessus des supports. Il est critique d'aligner l'orifice de montage de chaque support contre le mur à un, deux ou trois des emplacements suivants selon la configuration sélectionnée.

Pour des comptoirs de 24" (61 cm): 4" (10,2 cm) vers l'intérieur de chaque extrémité de la longueur du comptoir.

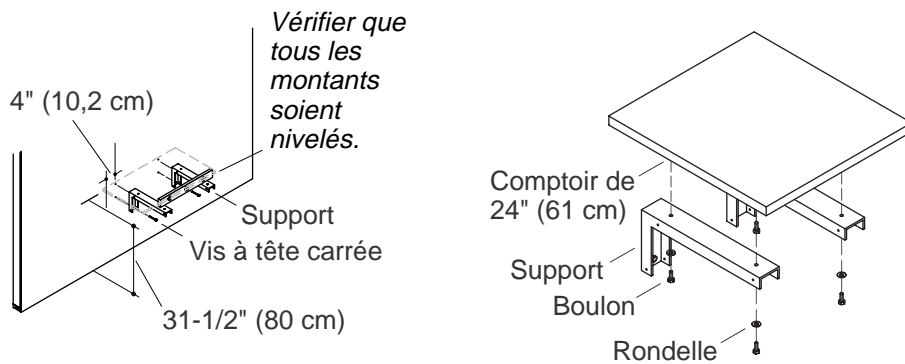
Pour des découpes de comptoirs de 48" (121,9 cm) à gauche: 4" (10,2 cm) vers l'intérieur de chaque extrémité de la longueur du comptoir et 24" (61 cm) du centre.

Pour des découpes de comptoirs de 48" (121,9 cm) du centre: 4" (10,2 cm) vers l'intérieur de chaque extrémité de la longueur du comptoir.

Pour des comptoirs de 72" (182,9 cm): 4" (10,2 cm) vers l'intérieur de chaque extrémité de la longueur du comptoir et 25-1/2" (64,8 cm) vers l'intérieur de chaque extrémité de la longueur du comptoir.

Pour proprement installer les supports, procéder à la section qui s'applique à la longueur du comptoir.

Si les supports ne sont pas requis pour l'installation, procéder à la section "Installer les composants et le comptoir" de ce guide.



4. Installer les supports pour le comptoir de 24" (61 cm)

⚠ ATTENTION : Risque de blessures ou d'endommagement du produit. Si le comptoir n'est pas nivelé, il pourrait casser. S'assurer que les supports soient nivelés avant d'installer le comptoir.

⚠ ATTENTION : Risque de blessure corporelle. La pierre volcanique est un matériau très dense et lourd. Le poids du comptoir de 24" (61 cm) est d'environ 50 lbs. (23 kg). Ne pas essayer de soulever ou d'installer le comptoir en pierre volcanique sans assistance.

REMARQUE : Si un meuble à montage mural ou meuble de lavabo sera installé, les supports ne sont pas requis. Procéder immédiatement à la section "Installer les composants et le comptoir" de ce guide.

- Mesurer et marquer 31-1/2" (80 cm) du sol au linteau.
- En utilisant un niveau à bulle, tracer une ligne horizontale de 24" (61 cm) à travers la hauteur marquée. Ceci sera la position horizontale de la base du comptoir.

IMPORTANT ! S'assurer que le dessus des supports soient alignés avec la ligne horizontale.

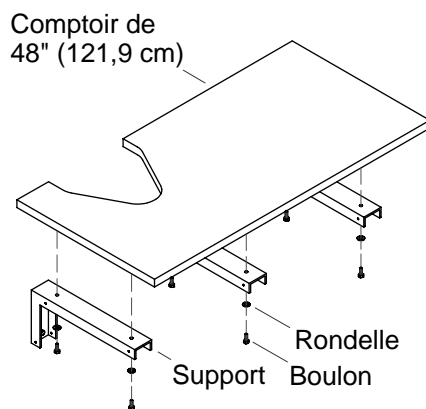
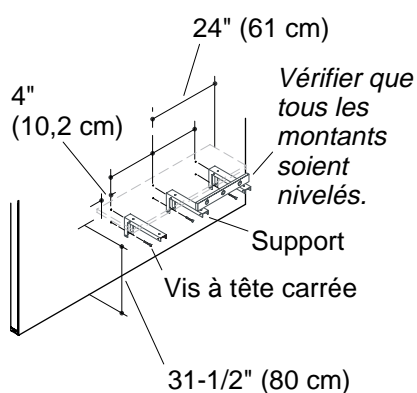
- Placer l'orifice de montage de chaque support de 4" (10,2 cm) vers l'intérieur de chaque extrémité de la ligne horizontale.

Installer les supports pour le comptoir de 24" (61 cm) (cont.)

- Marquer l'orifice de montage de chaque support avec un crayon.
- Mettre les supports de côté.
- Vérifier que les emplacements d'orifice de montage marqués soient nivelés.
- Percer les orifices de montage.
- Fixer les supports au mur avec les tire-fonds appropriés (non fournis). Le type de tire-fond nécessaire variera selon l'épaisseur du mur fini.
- Vérifier que les supports montés soient nivelés.

REMARQUE : Si les supports ne sont pas nivelés, caler entre le support et le mur.

- Placer le comptoir au-dessus des supports.
- Aligner les insertions filetées à la base du comptoir avec les orifices correspondants sur les supports.
- À l'aide des boulons et rondelles inclus, fixer le comptoir aux supports.
- Procéder à la section "Installer les cache supports".



5. Installer les supports pour comptoir de 48" (121,9 cm)

⚠ ATTENTION : Risque de blessure corporelle. La pierre volcanique est un matériau très dense et lourd. Le poids du comptoir de 48" (121,9 cm) est d'environ 100 lbs. (46 kg). Ne pas essayer de soulever ou d'installer le comptoir en pierre volcanique sans assistance.

⚠ ATTENTION : Risque de blessures ou d'endommagement du produit. Si le comptoir n'est pas nivelé, il pourrait casser. S'assurer que les supports et/ou composants soient nivelés avant d'installer le comptoir.

REMARQUE : Le comptoir de 48" (121,9 cm) est disponible avec une option de découpe à gauche, droite, ou centrale. Pour des découpes de comptoirs, ne pas installer un support à l'emplacement central du comptoir.

- Mesurer et marquer 31-1/2" (80 cm) du sol au linteau.
- En utilisant un niveau à bulle, tracer une ligne horizontale de 48" (121,9 cm) à travers la hauteur marquée.

IMPORTANT ! S'assurer que le dessus du (des) support(s) soient alignés avec la ligne horizontale.

- Placer le(s) orifice(s) de montage du (des) support(s) aux emplacements de montage requis.

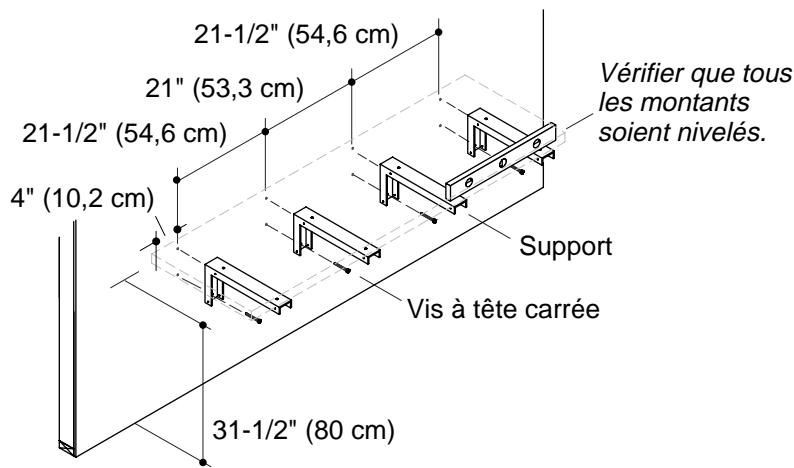
Installer les supports pour comptoir de 48" (121,9 cm) (cont.)

- Marquer l'emplacement de l'orifice de montage pour le(s) support(s).
- Mettre le(s) support(s) de côté.
- Vérifier que l'(les) emplacement(s) d'orifice de montage marqués soit (soient) nivelés.
- Percer le(s) orifice(s) de montage.
- Fixer les supports au mur avec les tire-fonds appropriés (non fournis). Le type de tire-fond nécessaire variera selon l'épaisseur du mur fini.
- Vérifier que le(s) supports montés soient nivelés.

IMPORTANT ! Si les meubles à montage mural ou meubles de lavabo doivent être installés, immédiatement procéder à la section "Installer les composants et comptoirs" de ce guide. Ne pas continuer avec cette procédure.

Pour des installations en utilisant uniquement des supports:

- Placer le comptoir au-dessus des supports.
- Aligner l'(les) insertion(s) filetée(s) à la base du comptoir avec les orifices correspondants sur le(s) support(s).
- Attacher le comptoir au(x) support(s) en utilisant le(s) boulon(s) et rondelle(s) fournis.



6. Installer les supports pour comptoir de 72" (182,9 cm)



ATTENTION : Risque de blessure corporelle. La pierre volcanique est un matériau très dense et lourd. Le poids du comptoir de 72" (182,9 cm) est d'environ 200 lbs. (91 kg). Ne pas essayer de soulever ou d'installer le comptoir en pierre volcanique sans assistance.



ATTENTION : Risque de blessures ou d'endommagement du produit. Si le comptoir n'est pas nivelé, il pourrait casser. S'assurer que les supports et/ou composants soient nivelés avant d'installer le comptoir.

REMARQUE : Le comptoir de 72" (182,9 cm) est disponible avec une option de découpe de lavabo à gauche, droite, ou centrale.

- Mesurer et marquer 31-1/2" (80 cm) du sol au linteau. Ceci sera la hauteur du dessus du (des) support(s).
- En utilisant un niveau à bulle, tracer une ligne horizontale de 72" (182,9 cm) à travers la hauteur marquée. Ceci sera la position horizontale de la base du comptoir.

IMPORTANT ! S'assurer que le dessus du (des) support(s) soient alignés avec la ligne horizontale.

- Placer le(s) orifice(s) de montage du (des) support(s) aux emplacements de montage requis.
- Marquer l'emplacement de l'orifice de montage pour le(s) support(s).

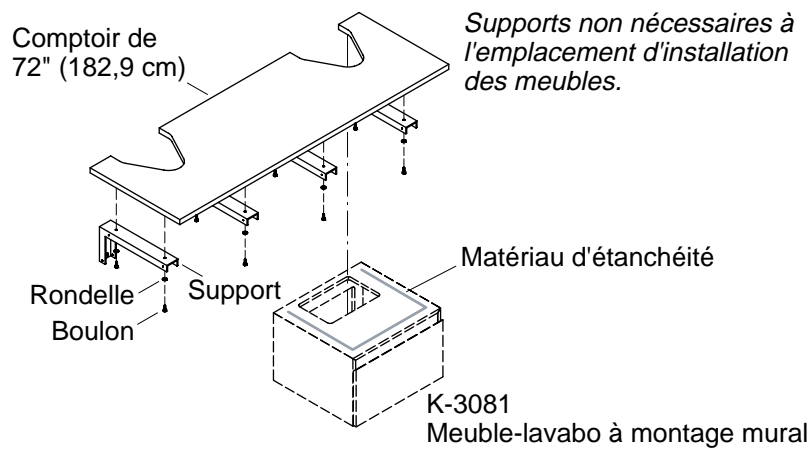
Installer les supports pour comptoir de 72" (182,9 cm) (cont.)

- Mettre le(s) support(s) de côté.
- Vérifier que l'(les) emplacement(s) d'orifice de montage marqués soit (soient) nivelés.
- Percer le (les) orifice(s) de montage.
- Fixer les supports au mur avec les tire-fonds appropriés (non fournis). Le type de tire-fond nécessaire variera selon l'épaisseur du mur fini.
- Vérifier que le(s) supports montés soient nivelés.

IMPORTANT ! Si les meubles à montage mural ou meubles de lavabo doivent être installés, immédiatement procéder à la section "Installer les composants et comptoirs" de ce guide. Ne pas continuer avec cette procédure.

Pour des installations en utilisant uniquement des supports:

- Placer le comptoir au-dessus des supports.
- Aligner l'(les) insertion(s) filetée(s) à la base du comptoir avec les orifices correspondants sur le (les) support(s).
- Attacher le comptoir au(x) support(s) en utilisant le(s) boulon(s) et rondelle(s) fournis.



7. Installer les composants et le comptoir



ATTENTION : Risque de blessure corporelle. La pierre volcanique est un matériau très dense et lourd. Ne pas essayer de soulever ou d'installer le comptoir en pierre volcanique sans assistance.



ATTENTION : Risque de blessures ou d'endommagement du produit. Si le comptoir n'est pas nivelé, il pourrait casser. S'assurer que les supports, le meuble à montage mural soient nivelés avant l'installation du comptoir.

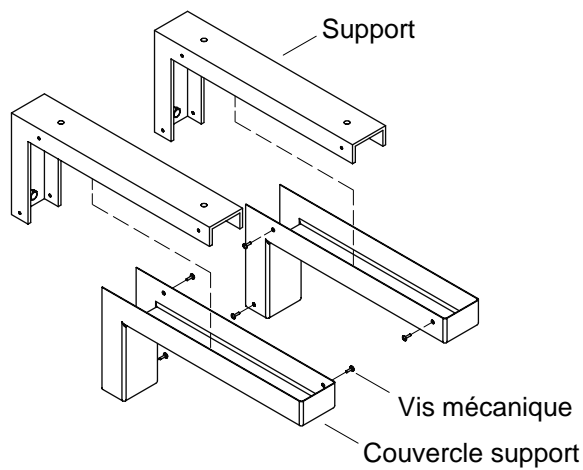
Pour des installations utilisant des composants:

- Installer les meubles à montage mural et/ou meubles de lavabo selon les instructions emballées avec le produit.
- S'assurer que les composants soient propres et secs.
- Appliquer un joint en silicone au périmètre au-dessus de chaque meuble à montage mural.
- Positionner proprement le comptoir sur chaque support (si applicable) et/ou le composant. S'assurer que le comptoir soit à égalité contre le mur.
- Laisser sécher le mastic pendant au moins 24 heures avant de continuer.

Pour des installations nécessitant des supports:

Installer les composants et le comptoir (cont.)

- Attacher le comptoir au(x) support(s) en utilisant le(s) boulon(s) et rondelle(s) fournis.



8. Installer les couvercles de support

- Placer les couvercles sur les supports.

REMARQUE : S'assurer d'utiliser le couvercle de support correct (gauche ou droit). Les orifices de vis sur le couvercle devraient faire face vers l'intérieur.

- Sécuriser les couvercles de support avec les vis fournies.

9. Installer le lavabo (si applicable)

- Se référer aux instructions d'installation emballées avec le produit.

Guía de instalación

Mostradores de piedra volcánica natural y soportes de montaje

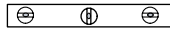
Herramientas y materiales



Lápiz



Cinta para
medir



Nivel

Más:

- Clavos de carpintero
- Tornillos de rosca para madera
- Soporte(s)
- Sellador de silicona



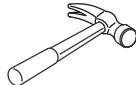
Lentes de
seguridad



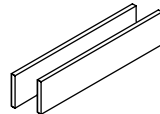
Taladro



Destornillador
de punta de
cruz (Phillips)



Martillo
de uña



Listones de 2x12

Gracias por elegir los productos de Kohler

Le agradecemos que haya elegido la calidad de Kohler. Por favor, invierta unos cuantos minutos leyendo este manual antes de comenzar la instalación. En caso de que encuentre problemas de instalación o de funcionamiento, no dude en contactarnos. Nuestros números de teléfono y la dirección de nuestra página Web se encuentran en la tapa posterior. Gracias nuevamente por escoger a Kohler.

Antes de comenzar



PRECAUCIÓN: Riesgo de lesiones personales. La piedra volcánica es sumamente densa y pesada. No intente levantar o instalar el mostrador de piedra volcánica sin ayuda.



PRECAUCIÓN: Riesgo de lesiones personales. Al taladrar utilice siempre lentes de seguridad.



PRECAUCIÓN: Riesgo de lesiones personales. *Es importante instalar una cabecera con este producto.* Las paredes construidas de postes de madera o acero no constituyen suficiente soporte para el mostrador de piedra volcánica. Se requiere la construcción de una cabecera de listones de 2x12.

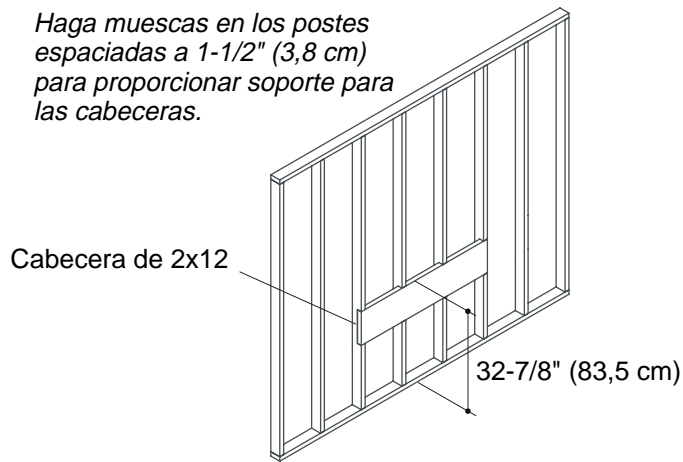
Antes de comenzar (cont.)



PRECAUCIÓN: Riesgo de lesiones personales y daños al producto. Si el mostrador no está nivelado, puede romperse. Cerciórese de que los soportes, gabinetes de montaje en la pared, y/o tocadores estén a nivel antes de instalar el mostrador.

- Cumpla con todos los códigos locales de construcción.
- Saque el mostrador de la caja y verifique que no esté dañado.
- Algunos componentes (gabinetes, tocadores, mostradores, lavabos, etc.) se deben instalar antes que otros. Si se instalan múltiples componentes, lea las instrucciones que acompañan a los productos antes de comenzar la instalación del mostrador de piedra volcánica.
- Utilice los tornillos de rosca para madera (no provistos) adecuados para la instalación.
- Determine las diferentes piezas que se van a instalar con el mostrador de piedra volcánica. Planee la instalación para determinar la cantidad necesaria y el lugar de instalación de los soportes. Consulte la sección "Determine el lugar de instalación de los soportes" en esta guía para obtener las opciones de configuración.
- El tocador de montaje en la pared K-3081 se debe instalar debajo del lavabo y el gabinete de montaje en la pared K-3080 se debe instalar debajo del mostrador. Consulte las instrucciones incluidas con estos productos la instalación correcta.
- Los gabinetes y tocadores de montaje en la pared se aseguran al mostrador con sellador de silicona (no provisto). Los pernos y arandelas provistos con el mostrador no se deben utilizar para la instalación del gabinete y tocador de montaje en la pared.
- No termine la pared acabada hasta haber instalado las cabeceras para cada componente.
- No termine la pared acabada hasta haber terminado toda la instalación de plomería y electricidad necesaria.

Haga muescas en los postes espaciadas a 1-1/2" (3,8 cm) para proporcionar soporte para las cabeceras.



1. Preparación de la pared



PRECAUCIÓN: Riesgo de lesiones personales. *Es importante instalar una cabecera con este producto.* Las paredes construidas de postes de madera o acero no constituyen suficiente soporte para el mostrador de piedra volcánica. Se requiere la construcción de una cabecera de listones de 2x12.



PRECAUCIÓN: Riesgo de lesiones personales y daños al producto. Extienda la cabecera más allá del mostrador hasta el poste más cercano. Esto asegura un soporte adecuado para el mostrador.



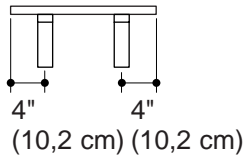
PRECAUCIÓN: Riesgo de lesiones personales y daños al producto. No instale la cabecera en postes de acero. No empalme los postes. Haga las muescas tal como se indica.

- Utilizando listones de 2x12, construya una cabecera de la misma longitud que el mostrador o que sobresalga hasta el poste más cercano.
- Mida hacia arriba 32-7/8" (83,5 cm) desde el piso. Ésta será la altura desde la parte superior de la cabecera hasta el piso.
- Haga muescas espaciadas a 1-1/2" (3,8 cm) en el frente de los postes, tal como se ilustra. Esto asegura un soporte adecuado para la cabecera.
- Asegure la cabecera a los postes con clavos para estructuras de madera.

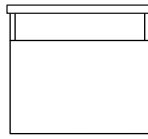
Preparación de la pared (cont.)

- Realice la instalación básica de los suministros, del desagüe y la trampa.
- Termine la pared acabada.

Mostrador de piedra volcánica de 24"

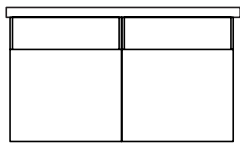


Se requieren dos soportes.

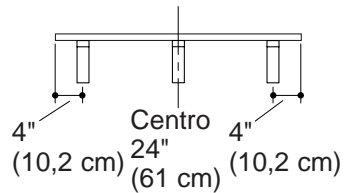


No se requiere ningún soporte.

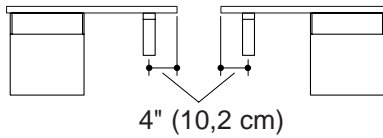
Mostrador de 48" con abertura izquierda o derecha



No se requiere ningún soporte.



Se requieren tres soportes.

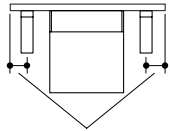


Se requiere un soporte.

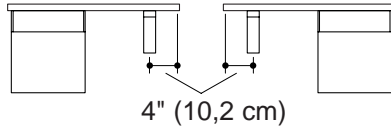
Se requiere un soporte.

2. Determine el lugar de instalación de los soportes

Mostrador de 48" con abertura central



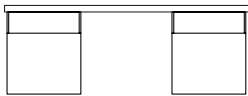
Se requieren dos soportes.



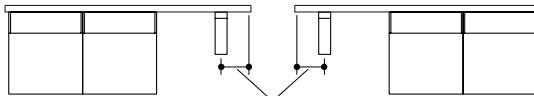
Se requiere un soporte.

Se requiere un soporte.

Mostrador de piedra volcánica de 72" con abertura

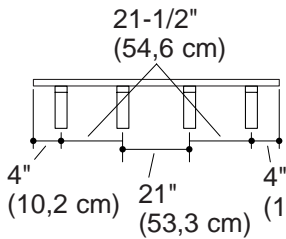


No se requiere ningún soporte.

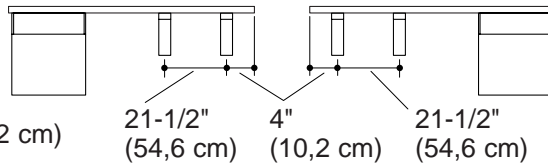


Se requiere un soporte.

Se requiere un soporte.

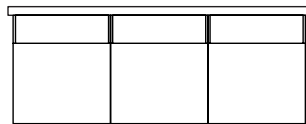


Se requieren cuatro soportes.



Se requieren dos soportes.

Se requieren dos soportes.



No se requiere ningún soporte.

3. Determine el lugar de instalación de los soportes

Determine el lugar de instalación de los soportes (cont.)

Los muebles, mostradores y lavabos están diseñados para ser funcionales y atractivos así como fáciles de adaptar a todo espacio. Estos componentes se pueden colocar en un sin fin de combinaciones para complementar su estilo. Identifique la configuración deseada para determinar la cantidad y el lugar de instalación de los soportes necesarios.

¡IMPORTANTE! Los insertos roscados en el lado inferior del mostrador se deben alinear con los orificios correspondientes de la parte superior de los soportes. Es muy importante alinear el orificio de cada soporte con la pared en uno, dos o tres de los lugares siguientes, dependiendo de la configuración elegida.

Para mostradores de 24" (61 cm): 4" (10,2 cm) hacia dentro desde cada extremo del largo del mostrador.

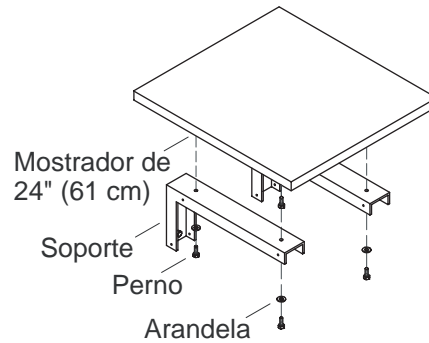
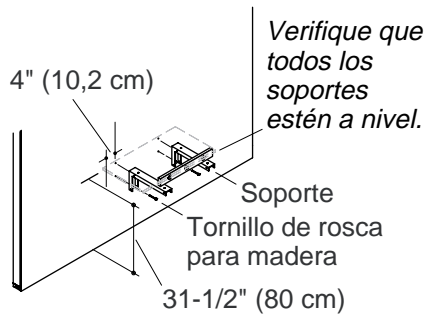
Para mostradores de abertura izquierda o derecha de 48" (121,9 cm): 4" (10,2 cm) hacia dentro desde cada extremo del largo del mostrador y 24" (61 cm) del centro.

Para mostradores de abertura central de 48" (121,9 cm): 4" (10,2 cm) hacia dentro desde cada extremo del largo del mostrador.

Para mostradores de 72" (182,9 cm): 4" (10,2 cm) hacia dentro desde cada extremo del largo del mostrador y 25-1/2" (64,8 cm) hacia dentro desde cada extremo del largo del mostrador.

Para instalar correctamente los soportes, continúe en la sección que corresponda a la longitud de su mostrador.

Si su instalación no requiere soportes, continúe en la sección "Instale los componentes y el mostrador" en esta guía.



4. Instale los soportes para el mostrador de 24" (61 cm)

⚠ PRECAUCIÓN: Riesgo de lesiones personales y daños al producto. Si el mostrador no está nivelado, puede romperse. Cerciñese de que los soportes estén a nivel antes de instalar el mostrador.

⚠ PRECAUCIÓN: Riesgo de lesiones personales. La piedra volcánica es sumamente densa y pesada. El mostrador de 24" (61 cm) pesa aproximadamente 50 libras (23 kg). No intente levantar o instalar el mostrador de piedra volcánica sin ayuda.

NOTA: Si va a instalar un gabinete o tocador de montaje en la pared, no es necesario instalar los soportes. Continúe inmediatamente en la sección "Instale los componentes y el mostrador" en esta guía.

- Mida y marque 31-1/2" (80 cm) desde el piso hasta la cabecera.
- Utilizando un nivel, trace una línea horizontal de 24" (61 cm) en la altura marcada. Ésta será la posición horizontal de la parte inferior del mostrador.

¡IMPORTANTE! Asegúrese de que la parte superior de los soportes estén alineados con la línea horizontal.

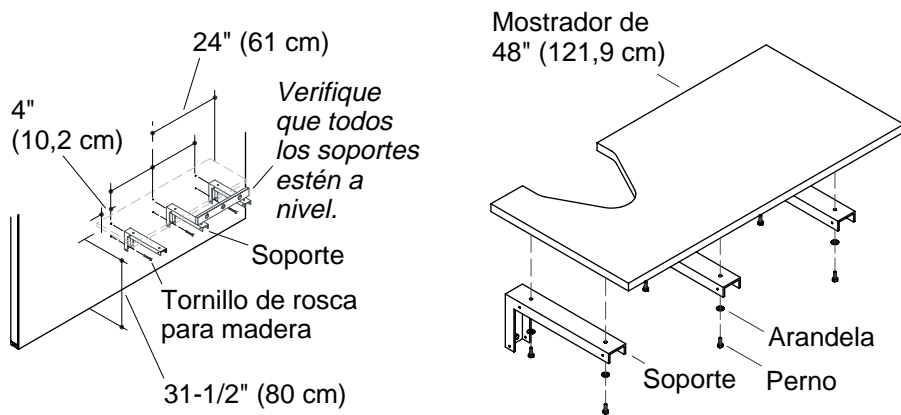
- Coloque el orificio de fijación de cada soporte a 4" (10,2 cm) hacia dentro de cada extremo de la línea horizontal.
- Marque con un lápiz los orificios de fijación de cada soporte.

Instale los soportes para el mostrador de 24" (61 cm) (cont.)

- Coloque los soportes a un lado.
- Verifique que los lugares de los orificios de fijación que marcó estén a nivel.
- Perfore los orificios de fijación.
- Fije los soportes a la pared utilizando los tornillos de roscas para madera apropiados (no provistos). El tipo requerido de tornillo de roscas para madera variará según el espesor de la pared acabada.
- Verifique que los soportes montados estén nivelados.

NOTA: Si los soportes no están a nivel, utilice cuñas entre el soporte y la pared.

- Coloque el mostrador sobre los soportes.
- Alinee los insertos roscados en el lado inferior del mostrador con los orificios correspondientes en los soportes.
- Fije el mostrador a los soportes utilizando los pernos y arandelas provistos.
- Continúe en la sección "Instale las tapas de los soportes".



5. Instale los soportes para el mostrador de 48" (121,9cm)

⚠ PRECAUCIÓN: Riesgo de lesiones personales. La piedra volcánica es sumamente densa y pesada. El mostrador de 48" (121,9 cm) pesa aproximadamente 100 libras (46 kg). No intente levantar o instalar el mostrador de piedra volcánica sin ayuda.

⚠ PRECAUCIÓN: Riesgo de lesiones personales y daños al producto. Si el mostrador no está nivelado, puede romperse. Cerciérese de que los soportes y los componentes estén a nivel antes de instalar el mostrador.

NOTA: El mostrador de 48" (121,9 cm) está disponible con una opción de abertura izquierda, derecha o central para el lavabo. Para mostradores de abertura central, no instale el soporte en el centro del mostrador.

- Mida y marque 31-1/2" (80 cm) desde el piso hasta la cabecera.
- Utilizando un nivel, trace una línea horizontal de 48" (121,9 cm) en la altura marcada.

¡IMPORTANTE! Asegúrese de que la parte superior del soporte o de los soportes esté alineada con la línea horizontal.

- Coloque el orificio de fijación del soporte o de los soportes en los lugares requeridos de fijación.
- Marque el lugar de los orificios de fijación del soporte o soportes.
- Coloque el soporte o los soportes a un lado.

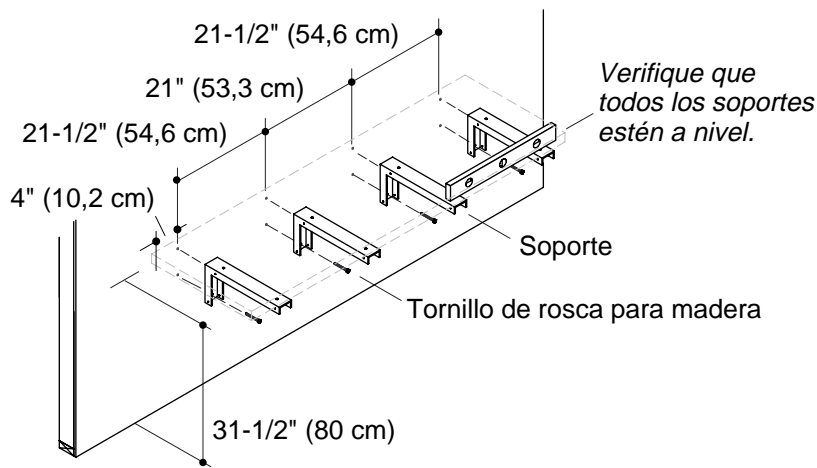
Instale los soportes para el mostrador de 48" (121,9cm) (cont.)

- Verifique que el lugar o los lugares marcados de los orificios de fijación estén a nivel.
- Taladre el orificio o los orificios de fijación.
- Fije el soporte o los soportes a la pared utilizando los tornillos de roscas para madera apropiados (no provistos). El tipo requerido de tornillo de roscas para madera variará según el espesor de la pared acabada.
- Verifique que el soporte o los soportes montados estén nivelados.

¡IMPORTANTE! Si necesita instalar tocadores o gabinetes de montaje en la pared, continúe inmediatamente en la sección "Instale los componentes y el mostrador" en esta guía. No continúe con este procedimiento.

Para instalaciones que utilizan soportes solamente:

- Coloque el mostrador sobre el soporte o los soportes.
- Alinee el inserto roscado o los insertos roscados en el lado inferior del mostrador con los orificios correspondientes en el soporte o los soportes.
- Fije el mostrador al soporte o los soportes utilizando los pernos y arandelas provistos.



6. Instale los soportes para el mostrador de 72" (182,9cm)

⚠ PRECAUCIÓN: Riesgo de lesiones personales. La piedra volcánica es sumamente densa y pesada. El mostrador de 72" (182,9 cm) pesa aproximadamente 200 libras (91 kg). No intente levantar o instalar el mostrador de piedra volcánica sin ayuda.

⚠ PRECAUCIÓN: Riesgo de lesiones personales y daños al producto. Si el mostrador no está nivelado, puede romperse. Cerciérese de que los soportes y los componentes estén a nivel antes de instalar el mostrador.

NOTA: El mostrador de 72" (182,9 cm) está disponible con una opción de abertura izquierda, derecha o central para el lavabo.

- Mida y marque 31-1/2" (80 cm) desde el piso hasta la cabecera. Ésta será la altura hasta la parte superior del soporte o los soportes.
- Utilizando un nivel, trace una línea horizontal de 72" (182,9 cm) en la altura marcada. Ésta será la posición horizontal de la parte inferior del mostrador.

¡IMPORTANTE! Asegúrese de que la parte superior del soporte o de los soportes esté alineada con la línea horizontal.

- Coloque el orificio de fijación del soporte o de los soportes en los lugares requeridos de fijación.
- Marque el lugar de los orificios de fijación del soporte o soportes.

Instale los soportes para el mostrador de 72" (182,9cm) (cont.)

- Coloque el soporte o los soportes a un lado.
- Verifique que el lugar o los lugares marcados de los orificios de fijación estén a nivel.
- Taladre el orificio o los orificios de fijación.
- Fije el soporte o los soportes a la pared utilizando los tornillos de roscas para madera apropiados (no provistos). El tipo requerido de tornillo de roscas para madera variará según el espesor de la pared acabada.
- Verifique que el soporte o los soportes montados estén nivelados.

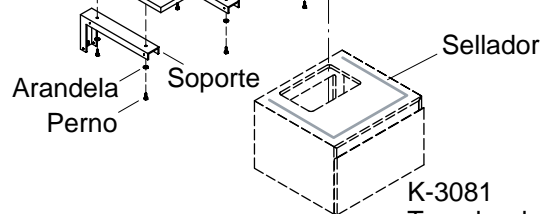
¡IMPORTANTE! Si necesita instalar tocadores o gabinetes de montaje en la pared, continúe inmediatamente en la sección "Instale los componentes y el mostrador" en esta guía. No continúe con este procedimiento.

Para instalaciones que utilizan soportes solamente:

- Coloque el mostrador sobre el soporte o los soportes.
- Alinee el inserto roscado o los insertos roscados en el lado inferior del mostrador con los orificios correspondientes en el soporte o los soportes.
- Fije el mostrador al soporte o los soportes utilizando los pernos y arandelas provistos.

Mostrador de
72" (182,9 cm)

No se requieren
soportes en el lugar
de instalación del
gabinete.



K-3081

Tocador de montaje en la pared

7. Instale los componentes y el mostrador



PRECAUCIÓN: Riesgo de lesiones personales. La piedra volcánica es sumamente densa y pesada. No intente levantar o instalar el mostrador de piedra volcánica sin ayuda.



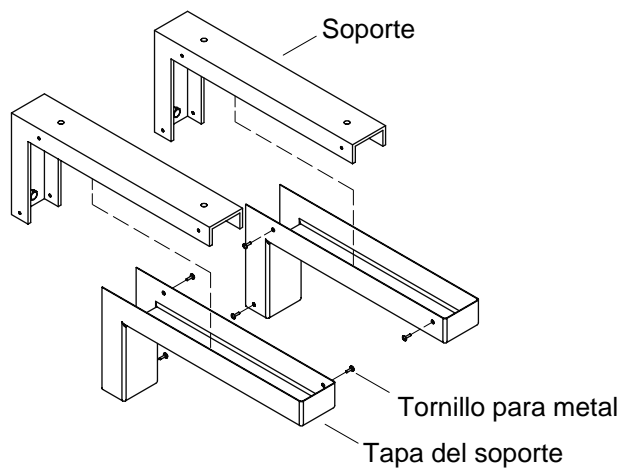
PRECAUCIÓN: Riesgo de lesiones personales y daños al producto. Si el mostrador no está nivelado, puede romperse. Cerciérese de que los gabinetes de montaje en la pared, y/o tocadores estén a nivel antes de instalar el mostrador.

Para instalaciones que utilizan componentes:

- Instale los tocadores y gabinetes de montaje en la pared según las instrucciones incluidas con el producto.
- Asegúrese de que los componentes estén limpios y secos.
- Aplique sellador de silicona al perímetro superior de cada tocador o gabinete de montaje en la pared.
- Coloque correctamente el mostrador sobre cada soporte (si corresponde) o componente. Asegúrese de que el mostrador quede al ras con la pared.
- Antes de usar, deje que el sellador de silicona se seque durante 24 horas.

Para instalaciones que requieren soportes:

- Fije el mostrador al soporte o los soportes utilizando los pernos y arandelas provistos.



8. Instale las tapas de los soportes

- Coloque las tapas sobre los soportes.

NOTA: Utilice la tapa correcta para los soportes orientados hacia la izquierda o derecha. Los orificios de los tornillos de las tapas deben estar orientados hacia dentro.

- Fije las tapas a los soportes con los tornillos para metal provistos.

9. Instale el lavabo (si corresponde)

- Consulte las instrucciones de instalación del lavabo que se incluyen con el producto.

1012594-2-C

1012594-2-**C**

USA: 1-800-4-KOHLER
Canada: 1-800-964-5590
México: 001-877-680-1310

kohler.com

THE BOLD LOOK
OF **KOHLER**®

©2005 Kohler Co.

1012594-2-C