

### 25" CAST IRON LAVATORY K-2829

ADA

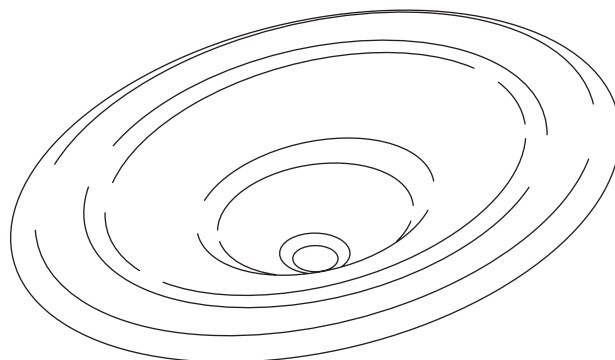
#### Features

- KOHLER cast iron
- Above-the-counter or self-rimming
- Without overflow
- Less faucet hole
- 3-9/16" (9 cm) water depth
- 25-13/16" (65.6 cm) x 19-5/16" (49 cm)

#### Codes/Standards Applicable

Specified model meets or exceeds the following:

- ASME A112.19.1M
- IAPMO/UPC
- CSA International
- CSA B45
- ADA



#### Colors/Finishes

- 0: White
- Other: Refer to Price Book for additional colors/finishes

#### Accessories:

- CP: Polished Chrome
- F34: Blanche Maple
- F35: Truffle Ash
- Other: Refer to Price Book for additional colors/finishes

#### Specified Model

Model	Description	Colors/Finishes	
K-2829	Lavatory	<input type="checkbox"/> 0	<input type="checkbox"/> Other_____
<b>Recommended Accessories</b>			
K-7129	Lavatory grid drain	<input type="checkbox"/> CP	<input type="checkbox"/> Other_____
K-9018	P-Trap	<input type="checkbox"/> CP	<input type="checkbox"/> Other_____
<b>Optional Accessories*</b>			
K-2435	Fountainhead™ 21" (53.3 cm) vanity	<input type="checkbox"/> F34	<input type="checkbox"/> F35
K-2436	Fountainhead™ 69" (175.3 cm) vanity	<input type="checkbox"/> F34	<input type="checkbox"/> F35
K-2437	Fountainhead™ 60" (152.4 cm) double vanity	<input type="checkbox"/> F34	<input type="checkbox"/> F35
* Product is <b>not</b> ADA compliant when installed to these optional accessories.			

#### Product Specification

The cast iron lavatory shall be 25-13/16" (65.6 cm) in length, and 19-5/16" (49 cm) in width. Lavatory shall have a 3-9/16" (9 cm) water depth. Lavatory shall be for above-the-counter or self-rimming installations. Lavatory shall be without overflow and without faucet hole. Lavatory shall be Kohler Model K-2829-\_\_\_\_\_.

# FOUNTAINHEAD™

## Technical Information

Fixture*:	
Lavatory	
Basin area	25-13/16" (65.6 cm) x 19-5/16" (49 cm)
Water depth	3-9/16" (9 cm)
Drain hole	1-3/4" (4.4 cm) D.
* Approximate measurements for comparison only.	
Included components:	
Cut-out template	1071098-7

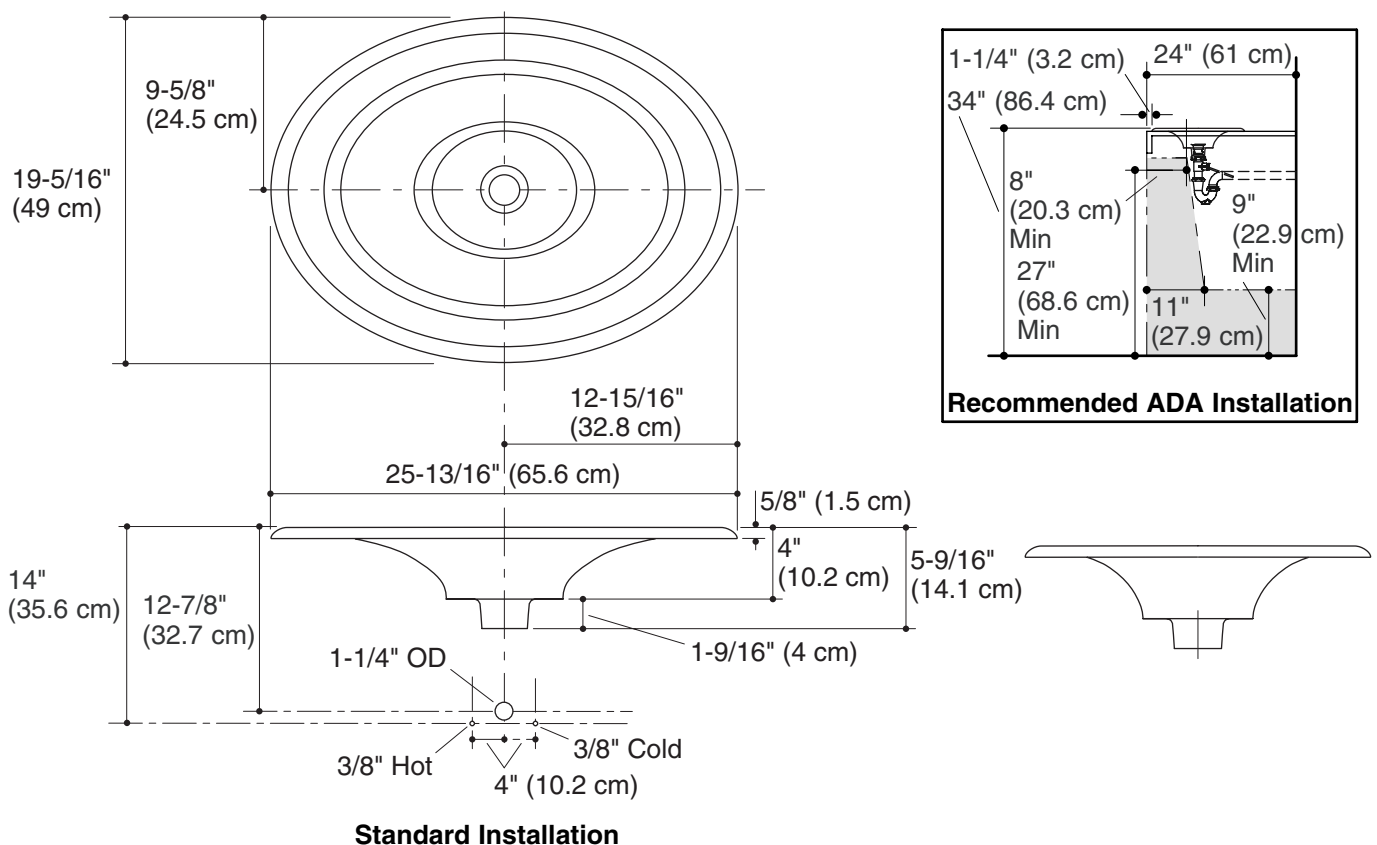
## Installation Notes

Install this product according to the installation guide.

A wall-mount faucet is recommended. When selecting a wall-mount faucet, ensure the spout will reach a minimum of 4" (10.2 cm) over the rim of the lavatory and the stream of water is directed toward the center of the lavatory basin.

For above-the-counter installations, the lavatory must rest on a countertop. Consider height of product when planning the installation.

**NOTICE:** The countertop manufacturer or cutter **must** use the cut-out template provided with the product, or a current one provided by the Kohler Co. (Call 1-800-4-KOHLER.) Kohler Co. is not responsible for cutout errors when the incorrect cut-out template is used.



## Product Diagram

FOUNTAINHEAD™ 25" CAST IRON LAVATORY

Page 2 of 2  
1061941-4-B

THE BOLD LOOK  
OF **KOHLER**®