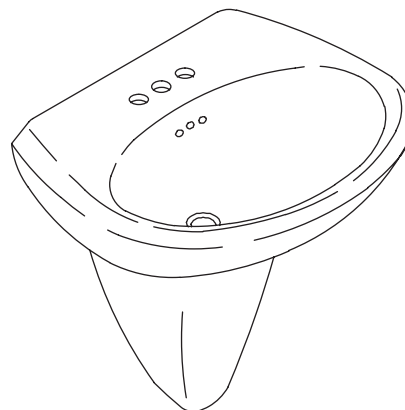


Features

- Vitreous china
- Wall-mount
- With overflow
- 8" (20.3 cm) centers (-8), 4" (10.2 cm) centers (-4), or single-hole (-1)
- 24" (61 cm) x 19" (48.3 cm)

WALL-MOUNT LAVATORY K-2083



Codes/Standards Applicable

Specified model meets or exceeds the following:

- ASME A112.19.2
- IAPMO/UPC
- CSA B45

Colors/Finishes

- 0: White
- Other: Refer to Price Book for additional colors/finishes

Accessories:

- CP: Polished Chrome
- Other: Refer to Price Book for additional colors/finishes

Specified Model

Model	Description	Colors/Finishes	
K-2083-1	Lavatory with single hole	<input type="checkbox"/> 0	<input type="checkbox"/> Other_____
K-2083-4	Lavatory with 4" (10.2 cm) centers	<input type="checkbox"/> 0	<input type="checkbox"/> Other_____
K-2083-8	Lavatory with 8" (20.3 cm) centers	<input type="checkbox"/> 0	<input type="checkbox"/> Other_____
Recommended Accessories			
K-7605-P	Lavatory supplies, 3/8" (pair)	<input type="checkbox"/> CP	<input type="checkbox"/> Other_____
K-8998	P-Trap	<input type="checkbox"/> CP	<input type="checkbox"/> Other_____

Product Specification

The wall-mount lavatory shall be 24" (61 cm) in length and 19" (48.3 cm) in width. Lavatory shall be made of vitreous china. Lavatory shall be 8" (20.3 cm) centers (-8), 4" (10.2 cm) centers (-4), or single hole (-1). Lavatory shall have overflow. Lavatory shall be Kohler Model K-2083-_____-_____.

CHABLIS™

Technical Information

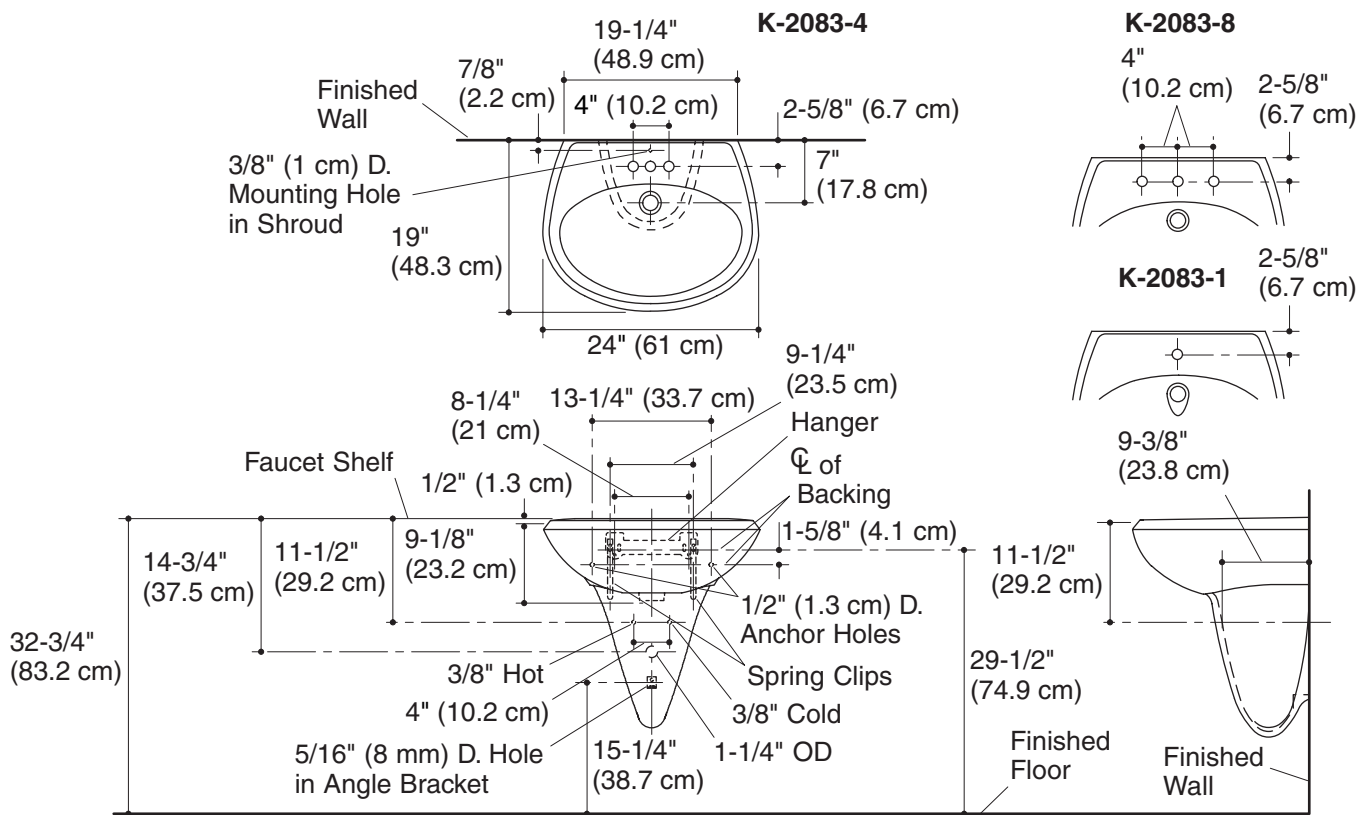
Fixture*:	
Basin area	22" (55.9 cm) x 13" (33 cm)
Water depth	5" (12.7 cm)
Drain hole	1-3/4" (4.4 cm) D.
*Approximate measurements for comparison only.	

Holes	K-2083-1	K-2083-4	K-2083-8
Spout	1-3/8" (3.5 cm) D.	1-1/4" (3.2 cm) D.	1-3/8" (3.5 cm) D.
Faucet	NA	1-1/4" (3.2 cm) D.	1-3/8" (3.5 cm) D.

Included components:	
Lavatory with single hole	K-2138-1
Lavatory with 4" (10.2 cm) centers	K-2138-4
Lavatory with 8" (20.3 cm) centers	K-2138-8
Shroud	K-2143
Shroud accessory pack	52205
Hanger	64839
Rubber pads	63069

Installation Notes

Install this product according to the installation guide.



Product Diagram