

WALL-MOUNT LAVATORY K-2272-4

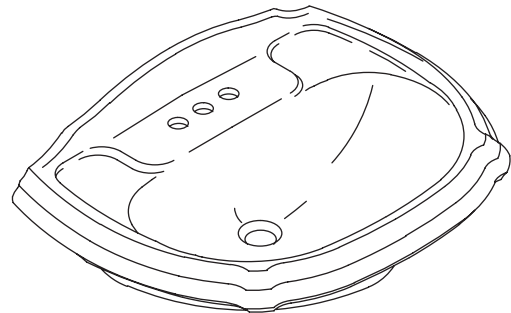
Features

- Vitreous china
- Wall-mount
- 4" (10.2 cm) centers (-4)
- 19-3/4" (50.2 cm) x 15-1/8" (38.4 cm)

Codes/Standards Applicable

Specified model meets or exceeds the following:

- ASME A112.19.2
- IAPMO/UPC



Colors/Finishes

- 0: White
- Other: Refer to Price Book for additional colors/finishes

Accessories:

- CP: Polished Chrome
- Other: Refer to Price Book for additional colors/finishes

Specified Model

Model	Description	Colors/Finishes	
K-2272-4	Lavatory with 4" (10.2 cm) centers	<input type="checkbox"/> 0	<input type="checkbox"/> Other _____
Recommended Accessories			
K-7605-P	Lavatory supplies, 3/8" (pair)	<input type="checkbox"/> CP	<input type="checkbox"/> Other _____
K-8998	P-Trap	<input type="checkbox"/> CP	<input type="checkbox"/> Other _____

Product Specification

The wall-mount lavatory shall be 19-3/4" (50.2 cm) in length and 15-1/8" (38.4 cm) in width. Lavatory shall be made of vitreous china. Lavatory shall have 4" (10.2 cm) centers (-4). Lavatory shall be Kohler Model K-2272-4-_____.

PORTRAIT®

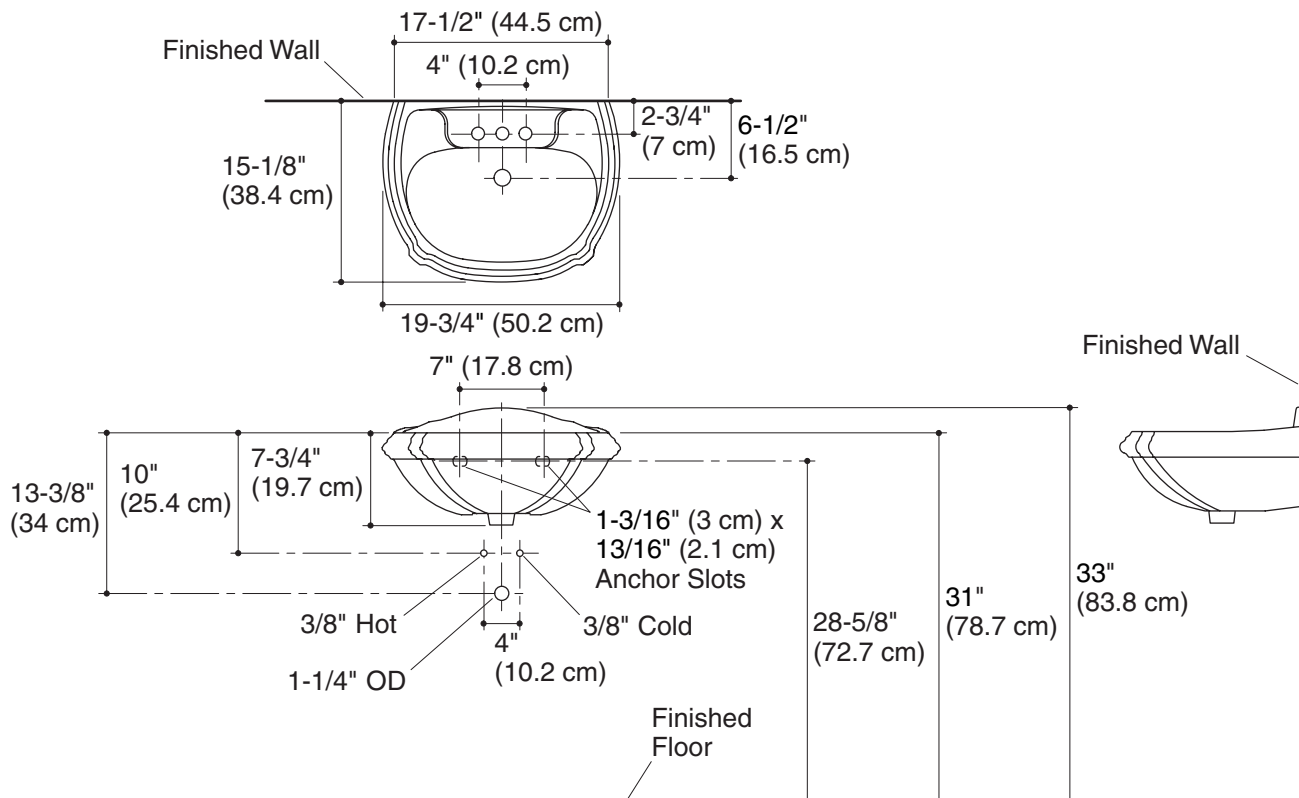
Technical Information

Fixture*:	
Basin area	16" (40.6 cm) x 9" (22.9 cm)
Water depth	5-1/2" (14 cm)
Drain hole	1-3/4" (4.4 cm) D.
Faucet hole	1-1/4" (3.2 cm) D.
*Approximate measurements for comparison only.	

Included components:	
Accessory pack	81603

Installation Notes

Install this product according to the installation guide.



Product Diagram