

PEDESTAL LAVATORY K-2293

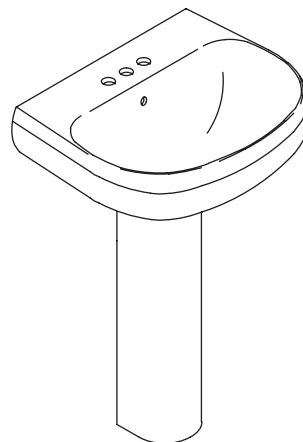
Features

- Vitreous china
- With overflow
- 8" (20.3 cm) centers (-8), 4" (10.2 cm) centers (-4), or single-hole (-1)
- 22-1/4" (56.5 cm) x 18-1/4" (46.4 cm) x 34-7/8" (88.6 cm)

Codes/Standards Applicable

Specified model meets or exceeds the following:

- ASME A112.19.2
- CSA B45



Colors/Finishes

- 0: White
- Other: Refer to Price Book for additional colors/finishes

Accessories:

- CP: Polished Chrome
- Other: Refer to Price Book for additional colors/finishes
- NA: None applicable

Specified Model

Model	Description	Colors/Finishes	
K-2293-8	8" (20.3 cm) centers pedestal lavatory	<input type="checkbox"/> 0	<input type="checkbox"/> Other_____
K-2293-4	4" (10.2 cm) centers pedestal lavatory	<input type="checkbox"/> 0	<input type="checkbox"/> Other_____
K-2293-1	Single-hole pedestal lavatory	<input type="checkbox"/> 0	<input type="checkbox"/> Other_____

Recommended Accessories			
K-7605-P	Lavatory supplies 3/8" (pair)	<input type="checkbox"/> CP	<input type="checkbox"/> Other_____
K-8998	P-trap	<input type="checkbox"/> CP	<input type="checkbox"/> Other_____

Product Specification:

The pedestal lavatory shall be 22-1/4" (56.5 cm) in length, 18-1/4" (46.4 cm) in width, and 34-7/8" (88.6 cm) in height. Pedestal lavatory shall be made of vitreous china. Pedestal lavatory shall have 8" (20.3 cm) centers (-8), 4" (10.2 cm) centers (-4), or single-hole (-1) drilling. Pedestal lavatory shall have overflow. Pedestal lavatory shall be Kohler Model K-2293-_____-_____-_____.

WELLWORTH®

Technical Information

Fixture*:	basin area	water depth	drain hole
Lavatory	20" (50.8 cm) x 12" (30.5 cm)	5-1/2" (14 cm)	1-3/4" (4.4 cm) D.

* Approximate measurements for comparison only.

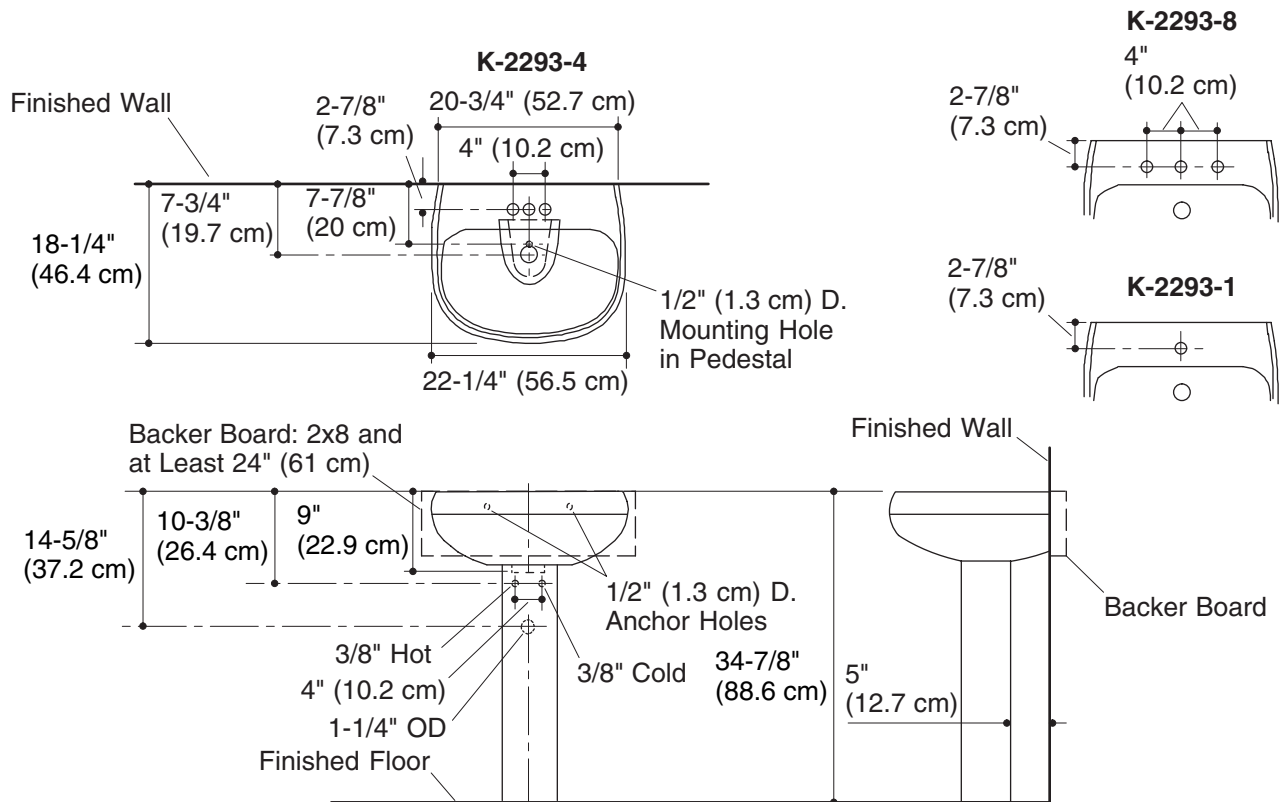
Holes	K-2293-8	K-2293-4	K-2293-1
Spout	1-3/8" (3.5 cm) D.	1-1/4" (3.2 cm) D.	1-3/8" (3.5 cm) D.
Faucet	1-3/8" (3.5 cm) D.	1-1/4" (3.2 cm) D.	

Included components:	
Pedestal	K-2019
Accessory pack	1047155
Rubber pads	63069

Optional component:	
Hollow wall pedestal lavatory mounting kit	1041816

Installation Notes

Install this product according to the installation guide.



Product Diagram