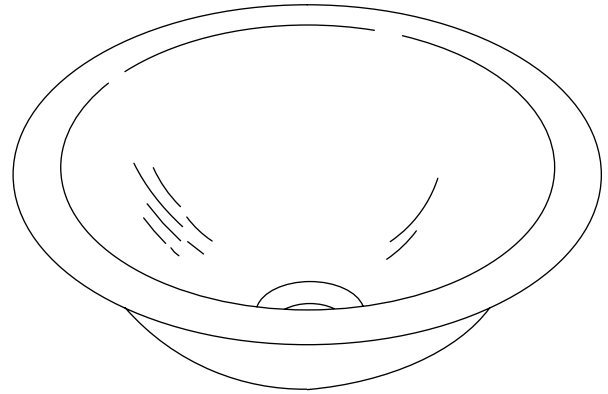


ROUND LAVATORY K-2610

Features

- 13-5/8" (34.6 cm) diameter
- 20 gauge stainless steel
- Mirror finish with Hushcoat undercoat (-M)
- Mirror finish without Hushcoat undercoat (-MU)
- Satin finish with Hushcoat undercoat (-S)
- Satin finish without Hushcoat undercoat (-SU)
- Installation hardware included for each type of installation
- Without overflow
- Chrome plated brass tube and gasket included to cover the overflow hole in the drain assembly



Codes/Standards Applicable

Specified model meets or exceeds the following:

- IAPMO/UPC
- Listed in State of Massachusetts
- CSA B45

Colors/Finishes

- NA: None applicable

Accessories:

- CP: Polished Chrome
- Other: Refer to Price Book for additional colors/finishes

Specified Model

Model	Description	Colors/Finishes	
K-2610-M	Mirror finish with Hushcoat undercoat lavatory	<input type="checkbox"/> NA	
K-2610-MU	Mirror finish without Hushcoat undercoat lavatory	<input type="checkbox"/> NA	
K-2610-S	Satin finish with Hushcoat undercoat lavatory	<input type="checkbox"/> NA	
K-2610-SU	Satin finish with Hushcoat undercoat lavatory	<input type="checkbox"/> NA	
Recommended Accessories			
K-8998	P-trap	<input type="checkbox"/> CP	<input type="checkbox"/> Other_____

Product Specification

The round lavatory shall be 13-5/8" (34.6 cm) in diameter. Lavatory shall be made of 20 gauge stainless steel. Lavatory shall be either self-rimming or undercounter installation. Lavatory shall have a mirror finish with Hushcoat undercoat (-M), mirror finish without Hushcoat undercoat (-MU), satin finish with Hushcoat undercoat (-S), or satin finish without Hushcoat undercoat (-SU). Lavatory shall include hardware for each type of installation. Lavatory shall have a chrome plated brass tube and drain gasket to cover overflow hole in the faucet drain assembly. Lavatory shall be Kohler model K-2610-_____-_____.

BOLERO

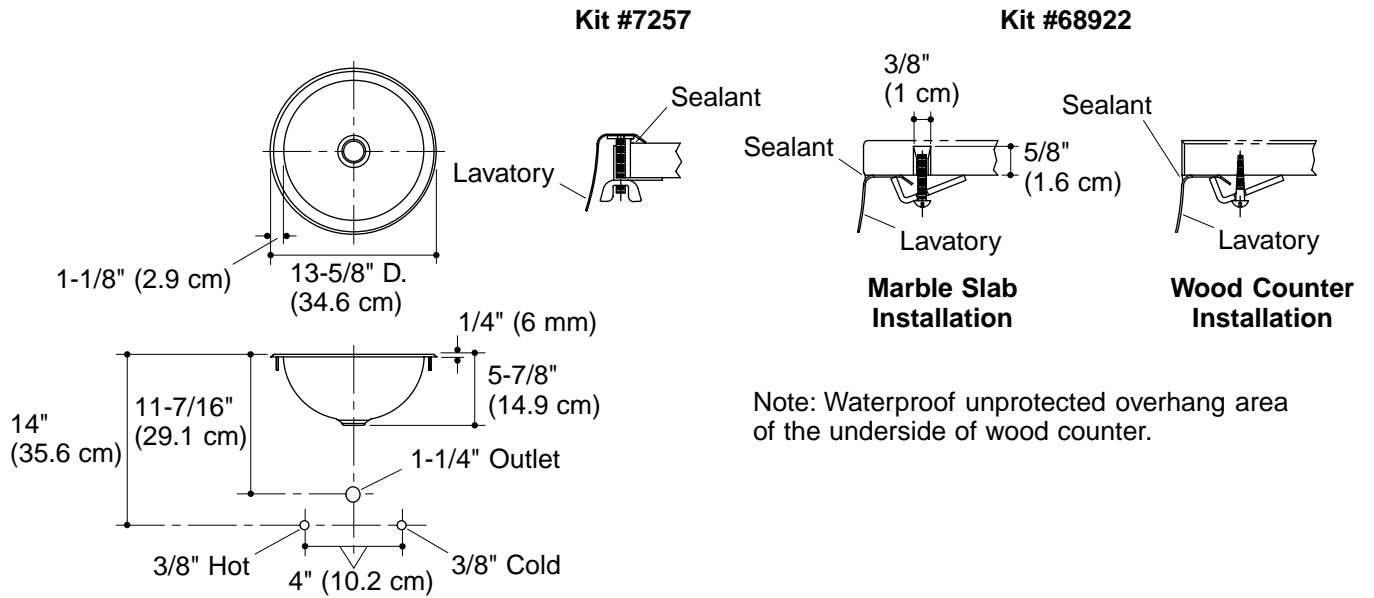
Technical Information

Fixture:*	basin area	water depth
Lavatory	11-1/2" (29.2 cm) D.	5-1/4" (13.3 cm)
Outlet	1 5/8" (4.1 cm) D.	
* Approximate measurements for comparison only.		

Included components:	
Basin clamp assembly (undercounter)	68922
Basin clamp assembly (self-rimming)	7257
Drain gasket	33507
Tube	1011037-CP
Cut-out template	111578-7

Installation Notes

Install this product according to the installation guide.



Product Diagram