

COUNTERTOP LAVATORY K-2075

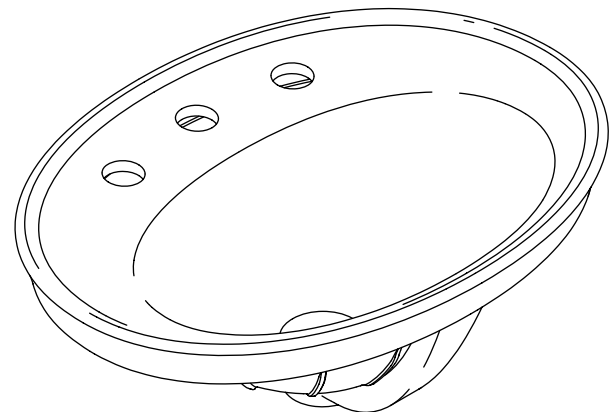
Features

- Vitreous china
- Self-rimming
- With overflow
- 8" (20.3 cm) centers (-8), 4" (10.2 cm) centers (-4), or single-hole (-1)
- 22-1/8" (56.2 cm) x 16-1/4" (41.3 cm) x 8-1/4" (21 cm)

Codes/Standards Applicable

Specified model meets or exceeds the following:

- ASME A112.19.2



Colors/Finishes

- 0: White
- Other: Refer to Price Book for additional colors/finishes

Accessories:

- CP: Polished Chrome

Specified Model

Model	Description	Colors/Finishes	
K-2075-8	8" (20.3 cm) centers lavatory	<input type="checkbox"/> 0	<input type="checkbox"/> Other _____
K-2075-4	4" (10.2 cm) centers lavatory	<input type="checkbox"/> 0	<input type="checkbox"/> Other _____
K-2075-1	Single-hole lavatory	<input type="checkbox"/> 0	<input type="checkbox"/> Other _____
Recommended Accessory			
K-8998	P-trap		<input type="checkbox"/> CP

Product Specification

The self-rimming lavatory shall be 22-1/8" (56.2 cm) in length, 16-1/4" (41.3 cm) in width, and 8-1/4" (21 cm) in depth. Lavatory shall be made of vitreous china. Lavatory shall have 8" (20.3 cm) centers (-8), 4" (10.2 cm) centers (-4), or single-hole (-1). Lavatory shall include overflow. Lavatory shall be Kohler Model K-2075-_____-_____.

Technical Information

Fixture*:	basin area	water depth
Lavatory	16-7/8" (42.9 cm) x 10-1/8" (25.6 cm)	4-7/8" (12.3 cm)
Drain Hole	1-3/4" (4.4 cm) D.	
* Approximate measurements for comparison only.		

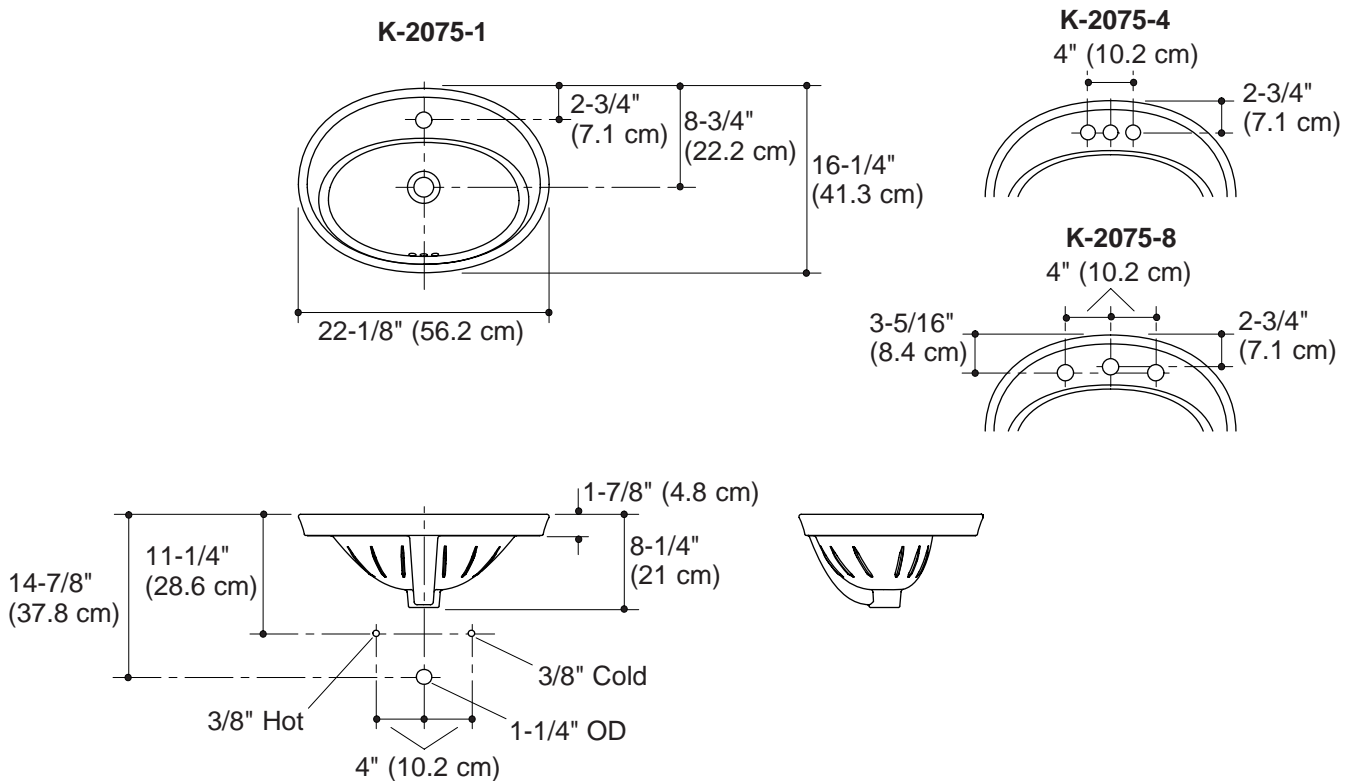
Holes	K-2075-8	K-2075-4	K-2075-1
Spout	1-3/16" (3 cm) D.	1-3/16" (3 cm) D.	1-3/8" (3.5 cm) D.
Faucet	1-3/8" (3.5 cm) D.	1-3/16" (3 cm) D.	

Included Components:	
Cut-out template	1014189-7

Installation Notes

Install this product according to the installation guide.

NOTICE: Countertop manufacturer or cutter **must** use the cut-out template provided with the product, or a current one provided by Kohler Co. (call 1-800-4-KOHLER). Kohler Co. is not responsible for cutout errors when the incorrect cut-out template is used.



Product Diagram