

KOHLER® Roughing-In

K-2202 BROOKLINE™ COUNTERTOP LAVATORY

Product Information

ADA compliant			
Mexico products have an M after the first sequence of numbers (such as K-12345 M)			
8" (20.3 cm) centers	K-2202-8	shown	
4" (10.2 cm) centers	K-2202-4	not shown	
soap dispenser on left	K-2202-4L	shown	
soap dispenser on right	K-2202-4R	shown	
Single-hole	K-2202-1	not shown	
soap dispenser on left	K-2202-1L	shown	
soap dispenser on right	K-2202-1R	shown	

Fixture*:		basin area	water depth
Lavatory		14" (35.6 cm) x 12" (30.5 cm)	4" (10.2 cm)
Outlet	1-3/4" D. (4.4 cm)		

* Approximate measurements for comparison only.

Holes	K-2202-8	K-2202-4	K-2202-1
Spout	1-3/8" D. (3.5 cm)	1-1/4" D. (3.2 cm)	1-3/8" D. (3.5 cm)
Faucet	1-3/8" D. (3.5 cm)	1-1/4" D. (3.2 cm)	
Soap dispenser			1-1/4" D. (3.2 cm)

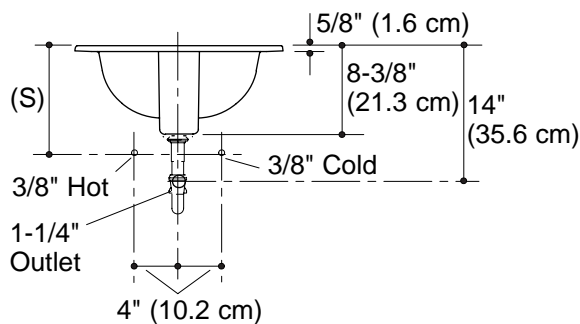
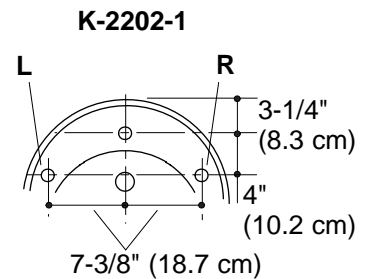
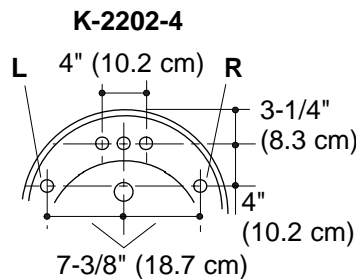
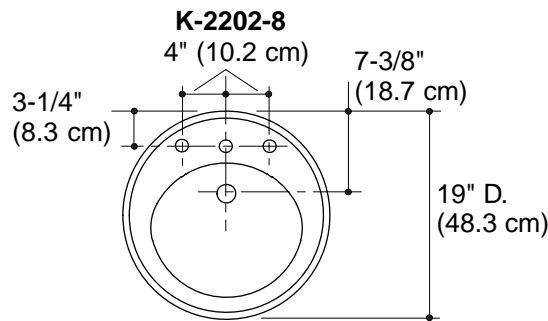
Included Components:	
Cutout template	1002966-7

Installation Notes

Install this product according to the installation guide.

NOTICE: Countertop manufacturer or cutter **must** use the cutout template provided with the product, or a current one provided by Kohler Co. (call 1-800-4-KOHLER). Kohler Co. is not responsible for cutout errors when the incorrect cutout template is used.

Fixture dimensions are nominal and conform to tolerances in ASME Standard A112.19.2.



(S) Supply K-2202-1 & K-2202-4 = 10" (25.4 cm) and
K-2202-8 = 14" (35.6 cm)

Standard Installation

