

Product Information

ADA compliant.			
Fixture*:		basin area	water depth
Lavatory		19" (48.3cm) x 12" (30.5cm)	4-1/2" (11.4cm)
Outlet	1-11/16" D. (4.3cm)		
* Approximate measurements for comparison only.			

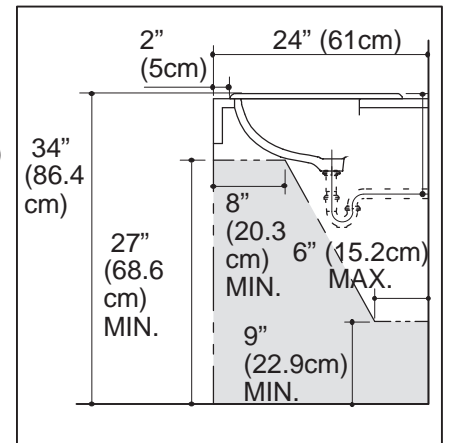
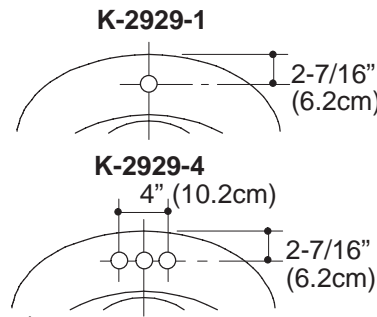
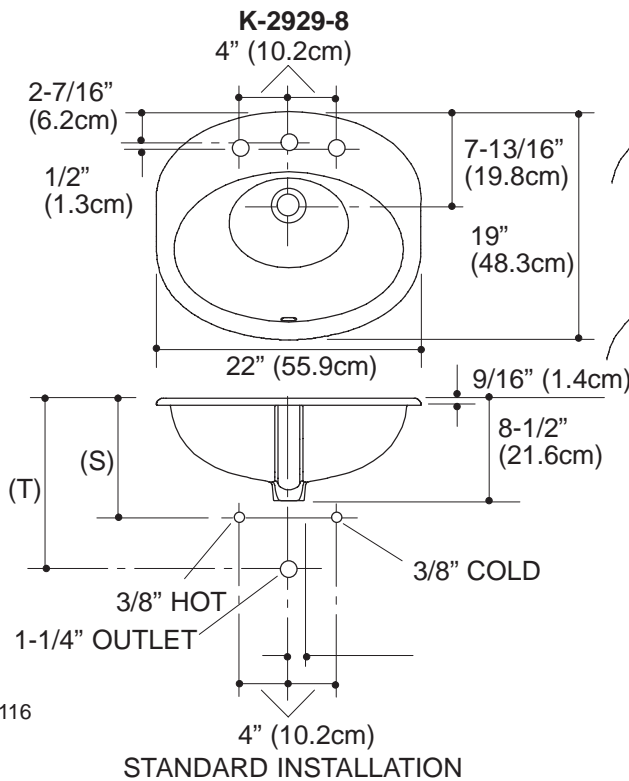
Holes	K-2929-1	K-2929-4	K-2929-8
Spout	1-3/8" D. (3.5cm)	1-1/8" D. (2.9cm)	1-1/8" D. (2.9cm)
Faucet		1-3/16" D. (3cm)	1-3/8" D. (3.5cm)

Included Components:	
Overflow ferrule (1)	84896
Cutout template	114537-7

Installation Notes

Install this product according to the installation guide.

Fixture dimensions are nominal and conform to tolerances in ASME Standard A112.19.1M.



RECOMMENDED ADA INSTALLATION

(T) Pop-up drain 14-1/8" (35.9cm), grid drain 13-1/4" (33.7cm)		
Supply (Based on 12" (30.5cm) riser which may require cutting).	K-2929-1, K-2929-4	K-2929-8
(S)	10" (25.4cm)	14" (35.6cm)