

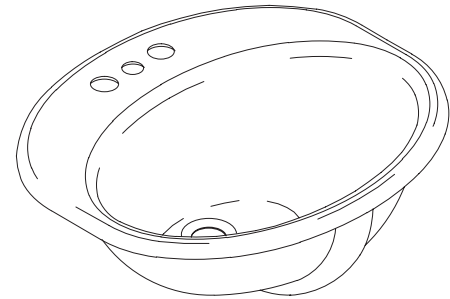
### SELF-RIMMING LAVATORY

# K-2929

ADA

#### FEATURES

- 22" (55.9cm) x 19" (48.3cm)
- Cast iron
- Self-rimming
- 4" (10.2cm) centers (K-2929-4), 8" (20.3cm) centers (K-2929-8), single-hole (K-2929-1) drilling
- ADA compliant



#### CODES/STANDARDS APPLICABLE

Specified model meets or exceeds the following:

- ADA
- ASME/ANSI A112.19.1M
- CABO/ANSI A117.1
- IAPMO/UPC
- Canadian Standards Association (CSA)
- State of Massachusetts

#### COLORS/FINISHES

- 0 White
- Other Refer to Fixtures Price Book for additional colors

#### Accessories:

- CP Polished Chrome
- Other Refer to Faucets Price Book for additional finishes

#### SPECIFIED MODEL:

Model	Description	Colors/Finishes	
K-2929-8	8" (20.3cm) centers lavatory	<input type="checkbox"/> 0 White	<input type="checkbox"/> Other _____
K-2929-4	4" (10.2cm) centers lavatory	<input type="checkbox"/> 0 White	<input type="checkbox"/> Other _____
K-2929-1	Single-hole lavatory	<input type="checkbox"/> 0 White	<input type="checkbox"/> Other _____

Recommended Accessories			
K-8998	Trap	<input type="checkbox"/> CP	<input type="checkbox"/> Other _____

#### PRODUCT SPECIFICATION:

The parallel side self-rimming lavatory shall be 22" (55.9cm) in length, and 19" (48.3cm) in width. Lavatory shall be made of cast iron. Lavatory shall have 4" (10.2cm) centers (K-2929-4), 8" (20.3cm) centers (K-2929-8), single-hole (K-2929-1) drilling. Lavatory shall be ADA compliant. Lavatory shall be Kohler Model K-2929-\_\_\_\_\_-\_\_\_\_\_.

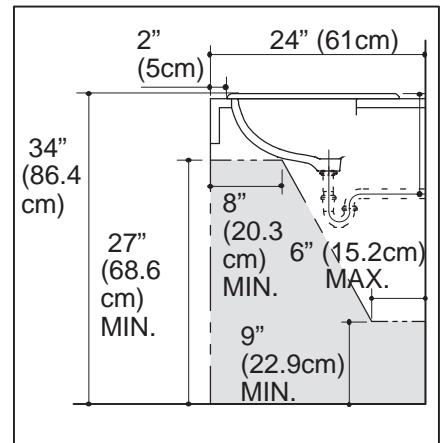
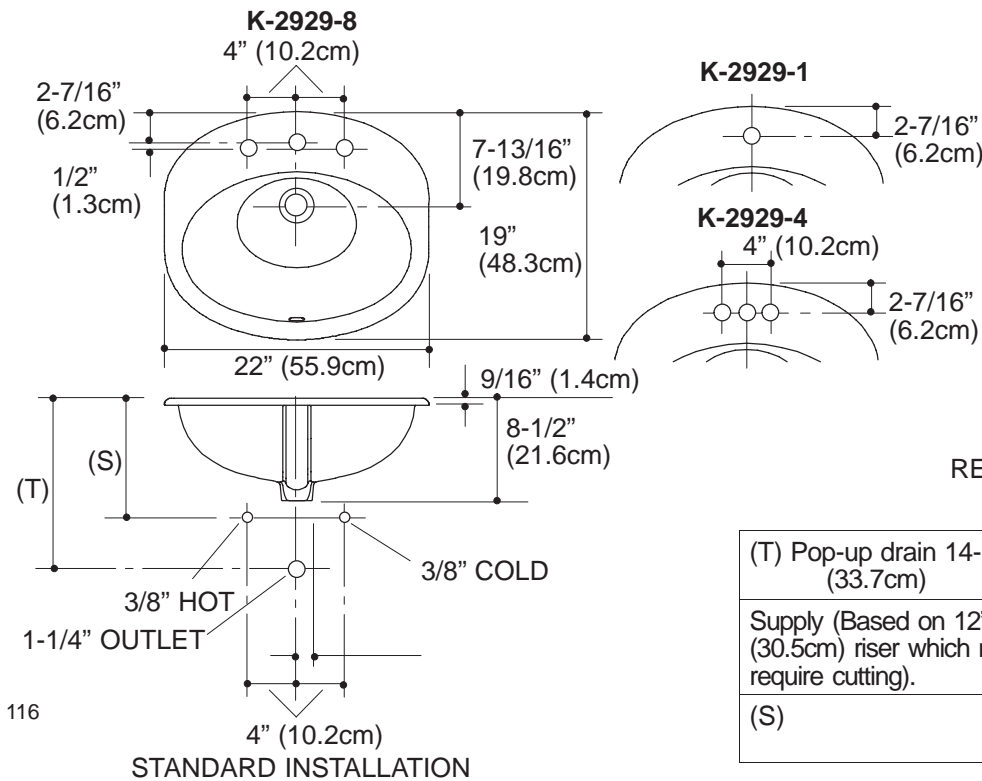
## PRODUCT INFORMATION

ADA compliant.			
Fixture*:		basin area	water depth
Lavatory		19" (48.3cm) x 12" (30.5cm)	4-1/2" (11.4cm)
Outlet	1-11/16" D. (4.3cm)		

\* Approximate measurements for comparison only.

Holes	K-2929-1	K-2929-4	K-2929-8
Spout	1-3/8" D. (3.5cm)	1-1/8" D. (2.9cm)	1-1/8" D. (2.9cm)
Faucet		1-3/16" D. (3cm)	1-3/8" D. (3.5cm)

Included Components:	
Overflow ferrule (1)	84896
Cutout template	114537-7



RECOMMENDED ADA INSTALLATION

(T) Pop-up drain 14-1/8" (35.9cm), grid drain 13-1/4" (33.7cm)		
Supply (Based on 12" (30.5cm) riser which may require cutting).	K-2929-1, K-2929-4	K-2929-8
(S)	10" (25.4cm)	14" (35.6cm)

## PRODUCT DIAGRAM