

COUNTERTOP LAVATORY K-2241

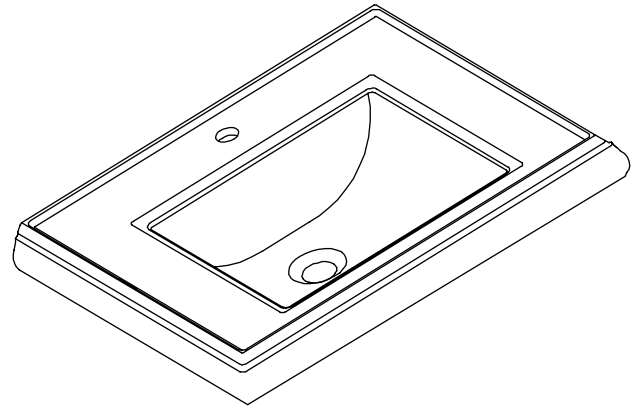
Features

- Vitreous china
- Self-rimming
- With overflow
- 8" (20.3 cm) centers (-8), 4" (10.2 cm) centers (-4), or single-hole (-1)
- Above-the-counter
- 22-3/4" (57.8 cm) x 18" (45.7 cm)

Codes/Standards Applicable

Specified model meets or exceeds the following:

- ASME A112.19.2
- IAPMO/UPC
- CSA International



Colors/Finishes

- 0: White
- Other: Refer to Price Book for additional colors/finishes

Accessories:

- CP: Polished Chrome
- Other: Refer to Price Book for additional colors/finishes

Specified Model

Model	Description	Colors/Finishes	
K-2241-1	Single hole lavatory	<input type="checkbox"/> 0 White	<input type="checkbox"/> Other_____
K-2241-4	4" (10.2 cm) centers lavatory	<input type="checkbox"/> 0 White	<input type="checkbox"/> Other_____
K-2241-8	8" (20.3 cm) centers lavatory	<input type="checkbox"/> 0 White	<input type="checkbox"/> Other_____
Recommended Accessories			
K-8998	P-trap	<input type="checkbox"/> CP	<input type="checkbox"/> Other_____

Product Specification

The self-rimming lavatory shall be 22-3/4" (57.8 cm) in length, and 18" (45.7 cm) in width. Lavatory shall be made of vitreous china. Lavatory shall have single-hole (K-2241-1), 4" (10.2 cm) centers (K-2241-4), or 8" (20.3 cm) centers (K-2241-8) drilling. Lavatory shall be Kohler Model K-2241-_____-_____.

MEMOIRS™

Technical Information

Fixture:*		basin area	water depth
Lavatory		17" (43.2 cm) x 10" (25.4 cm)	5" (12.7 cm)
Drain hole	1-3/4" D. (4.4 cm)		
* Approximate measurements for comparison only.			

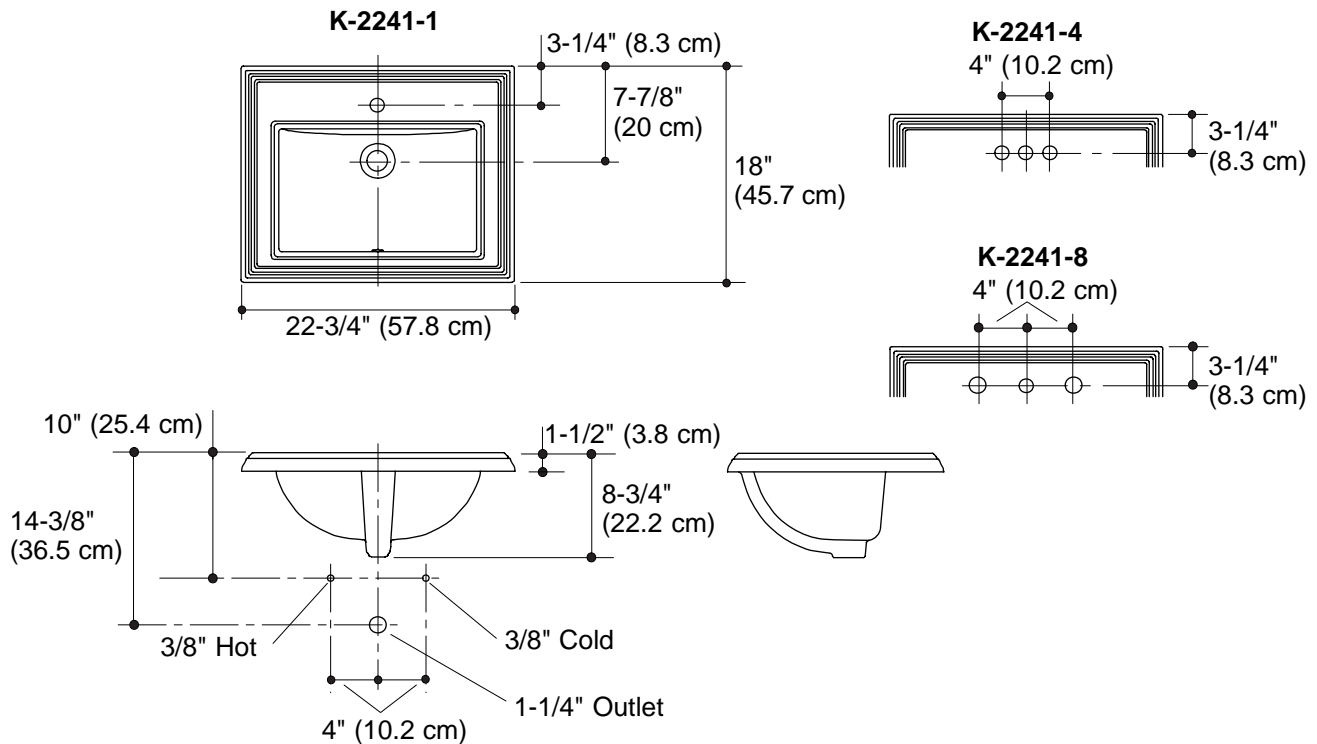
Holes	K-2241-1	K-2241-4	K-2241-8
Spout	1-3/8" D. (3.5 cm)	1-1/4" D. (3.2 cm)	1-3/8" D. (3.5 cm)
Faucet		1-1/4" D. (3.2 cm)	1-3/8" D. (3.5 cm)

Included Components:	
Lavatory basin, single-hole	K-2241-1
Lavatory basin, 4" (10.2 cm) centers	K-2241-4
Lavatory basin, 8" (20.3 cm) centers	K-2241-8
Cutout template	1003676

Installation Notes

Install this product according to the installation guide.

NOTICE: Countertop manufacturer or cutter **must** use the cutout template provided with the product, or a current one provided by Kohler (call 1-800-4-KOHLER). Kohler is not responsible for cutout errors when incorrect cutout template is used.



Product Diagram