

Product Information

ADA compliant.			
Fixture*:		basin area	water depth
Lavatory		19" (48.3cm) x 11" (28cm)	4-3/4" (12.1cm)
Outlet	1-11/16" D. (4.3cm)		
* Approximate measurements for comparison only.			

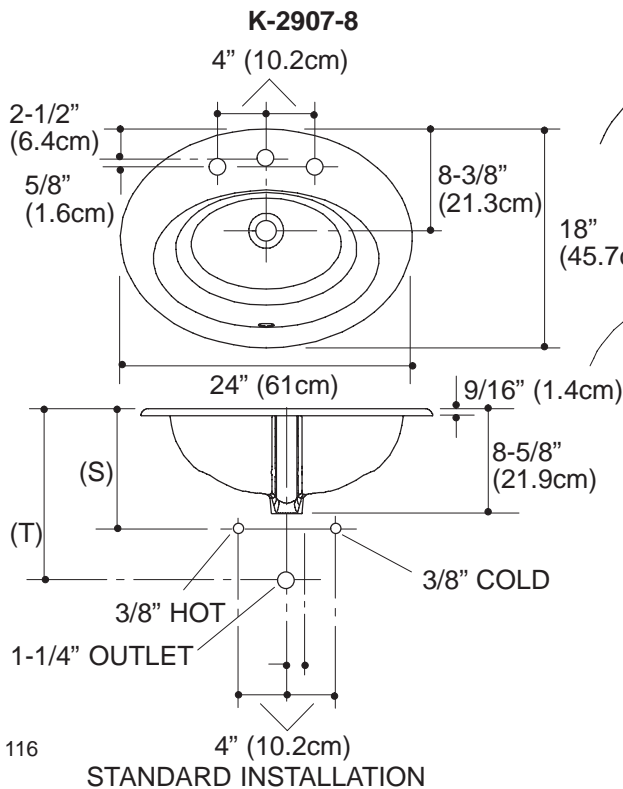
Holes	K-2907-1	K-2907-4	K-2907-8
Spout	1-3/8" D. (3.5cm)	1-1/8" D. (2.9cm)	1-1/8" D. (2.9cm)
Faucet		1-3/16" D. (3cm)	1-3/8" D. (3.5cm)

Included Components:	
Overflow ferrule (1)	84896
Cutout template	114535-7

Installation Notes

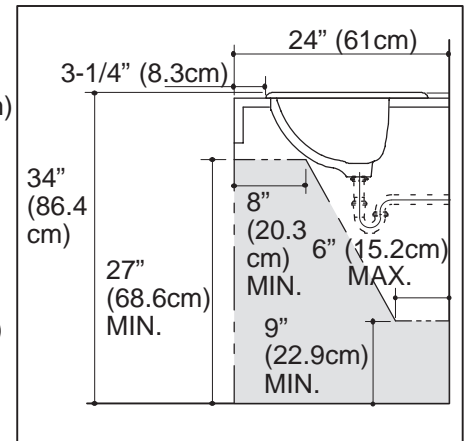
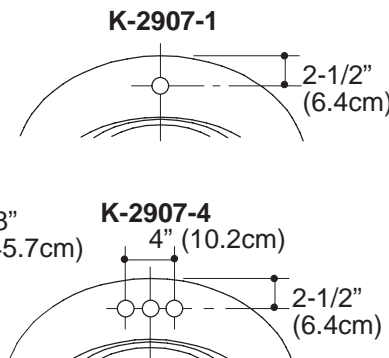
Install this product according to the installation guide.

Fixture dimensions are nominal and conform to tolerances in ASME Standard A112.19.1M.



116

STANDARD INSTALLATION



RECOMMENDED ADA INSTALLATION

(T) Pop-up drain 14-1/4" (36.2cm), grid drain 13-3/8" (34cm)		
Supply (Based on 12" (30.5cm) riser which may require cutting).	K-2907-1, K-2907-4	K-2907-8
(S)	10" (25.4cm)	14" (35.6cm)