

### Product Information

|   |                        |                              |                    |
|---|------------------------|------------------------------|--------------------|
| ADA compliant.                                  |                        |                              |                    |
| Fixture*:                                       |                        | basin area                   | water depth        |
| Lavatory  |                        | 19" (48.3cm)<br>x 11" (28cm) | 4-1/2"<br>(12.1cm) |
| Outlet  | 1-11/16" D.<br>(4.3cm) |                              |                    |
| * Approximate measurements for comparison only. |                        |                              |                    |

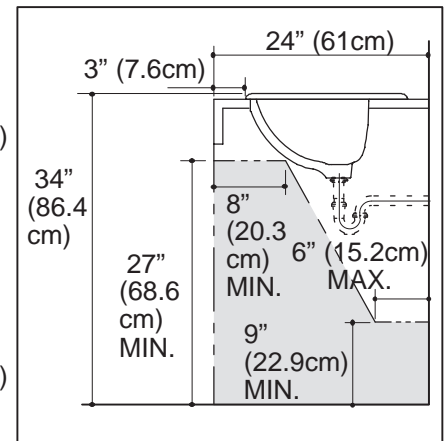
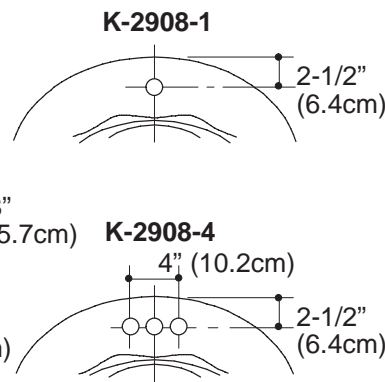
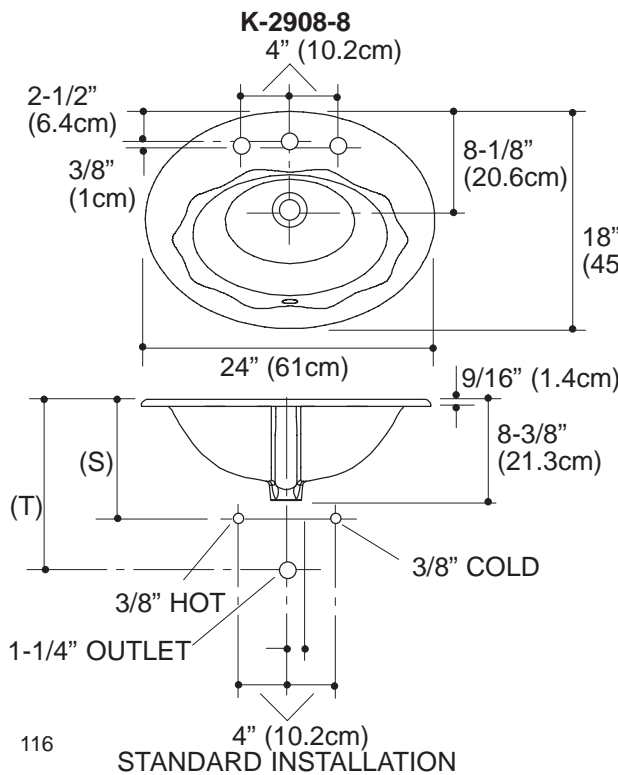
| Holes  | K-2908-1             | K-2908-4             | K-2908-8             |
|--------|----------------------|----------------------|----------------------|
| Spout  | 1-3/8" D.<br>(3.5cm) | 1-1/8" D.<br>(2.9cm) | 1-1/8" D.<br>(2.9cm) |
| Faucet |                      | 1-3/16" D.<br>(3cm)  | 1-3/8" D.<br>(3.5cm) |

|                      |          |
|----------------------|----------|
| Included Components: |          |
| Overflow ferrule (1) | 84896    |
| Cutout template      | 114535-7 |

### Installation Notes

Install this product according to the installation guide.

Fixture dimensions are nominal and conform to tolerances in ASME Standard A112.19.1M.



RECOMMENDED ADA INSTALLATION

|   |                       |                 |
|---|-----------------------|-----------------|
| (T) Pop-up drain 14" (35.6cm), grid drain 13-1/8" (33.3cm)      |                       |                 |
| Supply (Based on 12" (30.5cm) riser which may require cutting). | K-2908-1,<br>K-2908-4 | K-2908-8        |
| (S)   | 10"<br>(25.4cm)       | 14"<br>(35.6cm) |