

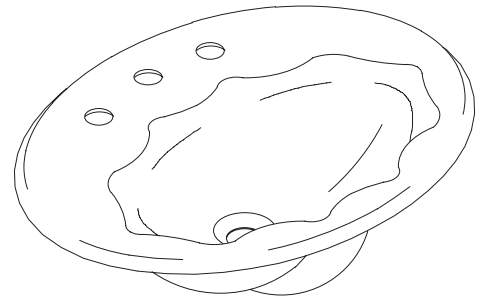
SELF-RIMMING LAVATORY

K-2908

ADA

FEATURES

- 24" (61cm) x 18" (45.7cm)
- Cast iron
- Self-rimming
- 4" (10.2cm) centers (K-2908-4), 8" (20.3cm) centers (K-2908-8), single-hole (K-2908-1) drilling
- ADA compliant



CODES/STANDARDS APPLICABLE

Specified model meets or exceeds the following:

- ADA
- ASME/ANSI A112.19.1M
- IAPMO/UPC
- CABO/ANSI A117.1
- Canadian Standards Association (CSA)
- State of Massachusetts

COLORS/FINISHES

- 0 White
- Other Refer to Fixtures Price Book for additional colors

Accessories:

- CP Polished Chrome
- Other Refer to Faucets Price Book for additional finishes

SPECIFIED MODEL:

| Model | Description | Colors/Finishes | |
|----------|------------------------------|----------------------------------|--------------------------------------|
| K-2908-8 | 8" (20.3cm) centers lavatory | <input type="checkbox"/> 0 White | <input type="checkbox"/> Other _____ |
| K-2908-4 | 4" (10.2cm) centers lavatory | <input type="checkbox"/> 0 White | <input type="checkbox"/> Other _____ |
| K-2908-1 | Single-hole lavatory | <input type="checkbox"/> 0 White | <input type="checkbox"/> Other _____ |

| Recommended Accessories | | | |
|-------------------------|------|-----------------------------|--------------------------------------|
| K-8998 | Trap | <input type="checkbox"/> CP | <input type="checkbox"/> Other _____ |

PRODUCT SPECIFICATION:

The scalloped oval self-rimming lavatory shall be 24" (61cm) in length, and 18" (45.7cm) in width. Lavatory shall be made of cast iron. Lavatory shall have 4" (10.2cm) centers (K-2908-4), 8" (20.3cm) centers (K-2908-8), or single-hole (K-2908-1) drilling. Lavatory shall be ADA compliant. Lavatory shall be Kohler Model K-2908-_____-_____.

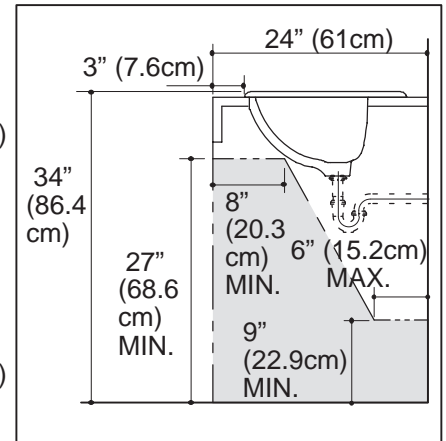
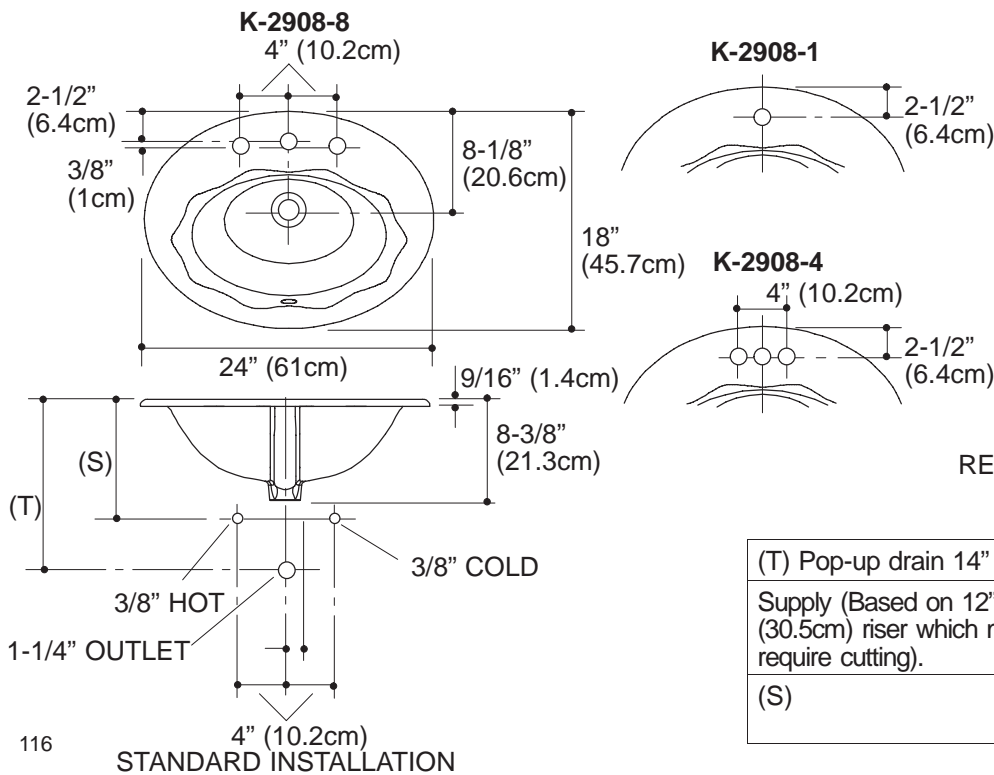
LARKSPUR™

PRODUCT INFORMATION

| | | | |
|---|------------------------|------------------------------|--------------------|
| ADA compliant. | | | |
| Fixture*: | | basin area | water depth |
| Lavatory | | 19" (48.3cm) x 11" (28cm) | 4-1/2" (12.1cm) |
| Outlet | 1-11/16" D. (4.3cm) | | |
| * Approximate measurements for comparison only. | | | |

| Holes | K-2908-1 | K-2908-4 | K-2908-8 |
|--------|----------------------|----------------------|----------------------|
| Spout | 1-3/8" D. (3.5cm) | 1-1/8" D. (2.9cm) | 1-1/8" D. (2.9cm) |
| Faucet | | 1-3/16" D. (3cm) | 1-3/8" D. (3.5cm) |

| | |
|----------------------|----------|
| Included Components: | |
| Overflow ferrule (1) | 84896 |
| Cutout template | 114535-7 |



RECOMMENDED ADA INSTALLATION

| | | |
|---|-----------------------|--------------|
| (T) Pop-up drain 14" (35.6cm), grid drain 13-1/8" (33.3cm) | | |
| Supply (Based on 12" (30.5cm) riser which may require cutting). | K-2908-1, K-2908-4 | K-2908-8 |
| (S) | 10" (25.4cm) | 14" (35.6cm) |

PRODUCT DIAGRAM