

### COUNTERTOP LAVATORY K-2282

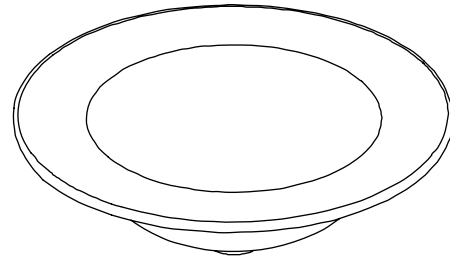
#### Features

- Vitreous china
- Self-rimming
- Available with 10" (25.4 cm) centers, single-hole, or without holes
- 21" (53.3 cm) x 20-7/8" (53 cm)

#### Codes/Standards Applicable

Specified model meets or exceeds the following:

- ASME A112.19.2
- IAPMO/UPC
- CSA B45



#### Colors/Finishes

- 0: White
- Other: Refer to Price Book for additional colors/finishes

#### Accessories:

- CP: Polished Chrome

#### Specified Model

Model	Description	Colors/Finishes	
K-2282	Countertop lavatory without holes	<input type="checkbox"/> 0	<input type="checkbox"/> Other_____
K-2282-1	Countertop lavatory with single-hole	<input type="checkbox"/> 0	<input type="checkbox"/> Other_____
K-2282-10	Countertop lavatory with 10" (25.4 cm) centers	<input type="checkbox"/> 0	<input type="checkbox"/> Other_____
Recommended Accessories			
K-8998	P-Trap		<input type="checkbox"/> CP

#### Product Specification

The self-rimming lavatory shall be 21" (53.3 cm) in length and 20-7/8" (53 cm) in width. Lavatory shall be made of vitreous china. Lavatory shall be available with 10" (25.4 cm) centers (K-2282-10), single-hole (K-2282-1), or without holes (K-2282). Lavatory shall be Kohler Model K-2282-\_\_\_\_\_-\_\_\_\_\_.

# CAMBER®

## Technical Information

Fixture*:		
Basin area	14" (35.6 cm) D.	
Water depth	5" (12.7 cm)	
Drain hole	1-3/4" (4.4 cm) D.	
Faucet holes	1-3/8" (3.5 cm) D.	
Spout hole	1-3/16" (3 cm) D. (K-2282-10)	1-3/8" (3.5 cm) D. (K-2282-1)
*Approximate measurements for comparison only.		
Included components:		
Adjustable linkage	40372	
Cut-out template	86562-7	

## Installation Notes

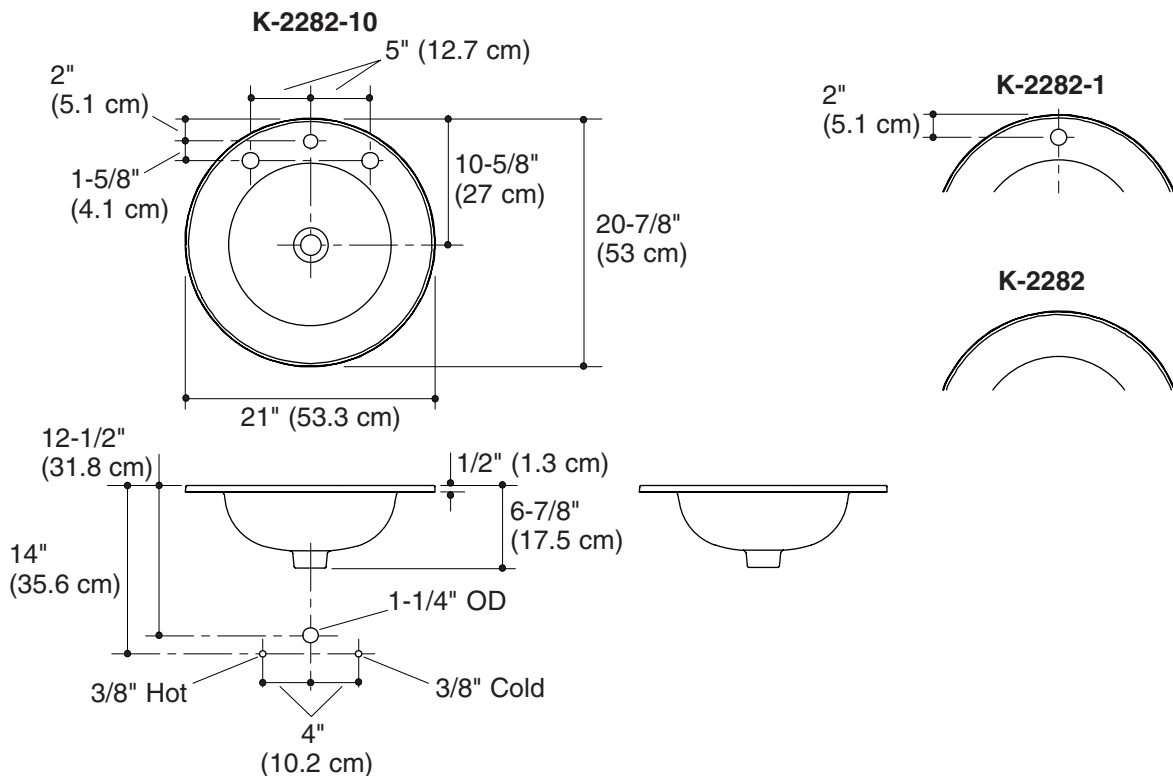
Install this product according to the installation guide.

**IMPORTANT!** Due to the large size of the lavatory, a 21-1/8" (53.7 cm) wide flat surface is required for installation on a vanity top.

Lavatories without faucet holes require wall-mount faucets with 7" (17.8 cm) minimum spout length.

Supply dimensions are based on a 12" (30.5 cm) riser which may require cutting.

**NOTICE:** Countertop manufacturer or cutter **must** use the cut-out template provided with the product, or a current one provided by Kohler Co. (call 1-800-4-KOHLER). Kohler Co. is not responsible for cut-out errors when the incorrect cut-out template is used.



## Product Diagram