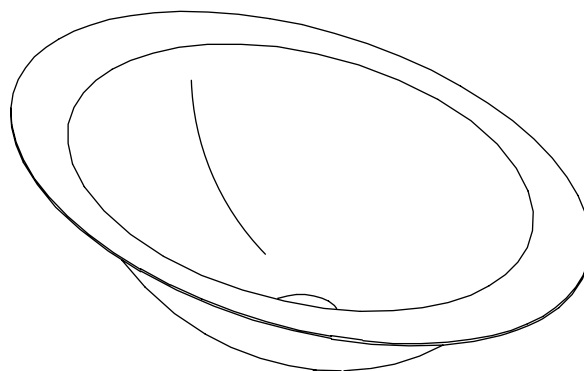


SELF-RIMMING LAVATORY K-2603

ADA

Features

- Self-rimming
- 20 gauge stainless steel
- Installation hardware included
- Chrome plated brass tube and gasket included to cover the overflow hole in the drain assembly
- Without overflow
- Less faucet drilling
- Hushcoat undercoating to minimize condensation
- Contemporary, elliptical shape
- Spacious, flat-rim styling
- 23-1/8" (58.7 cm) x 15-1/4" (38.7 cm)



Codes/Standards Applicable

Specified model meets or exceeds the following:

- ASME A112.19.3
- CSA B45
- ADA

Colors/Finishes

- NA: None applicable

Accessories:

- CP: Polished Chrome
- Other: Refer to Price Book for additional colors/finishes

Specified Model

Model	Description	Colors/Finishes
K-2603-S	Lavatory - satin finish	<input type="checkbox"/> NA
K-2603-M	Lavatory - mirror finish	<input type="checkbox"/> NA
K-2603-E	Lavatory - crosschecked finish basin, mirror finish rim	<input type="checkbox"/> NA

Recommended Accessories			
K-8998	Adjustable P-trap with tubing outlet and cleanout plug	<input type="checkbox"/> CP	<input type="checkbox"/> Other_____

Product Specification

The self-rimming lavatory shall be 23-1/8" (58.7 cm) in length, and 15-1/4" (38.7 cm) in width. Lavatory shall be made of 20 gauge stainless steel. Lavatory shall have a contemporary, elliptical shape and spacious, flat-rim styling. Lavatory shall include installation hardware. Lavatory shall feature Hushcoat undercoating to minimize condensation. Lavatory shall have a chrome plated brass tube and drain gasket to cover the overflow hole in the drain assembly. Lavatory shall be without overflow and less faucet hole drilling. Lavatory shall be Kohler Model K-2603-_____-_____.

RHYTHM™

Technical Information

Fixture:*	
Lavatory	
Basin area	18" (45.7 cm) x 13" (33 cm)
Water depth	5-7/8" (14.9 cm)
Drain hole	1-5/8" (4.1 cm) D.
* Approximate measurements for comparison only.	

Included components:	
Basin clamp assembly (4 quantity)	7257
Drain gasket	33507
Tube	1011037-CP
Cut-out template	1006417-7

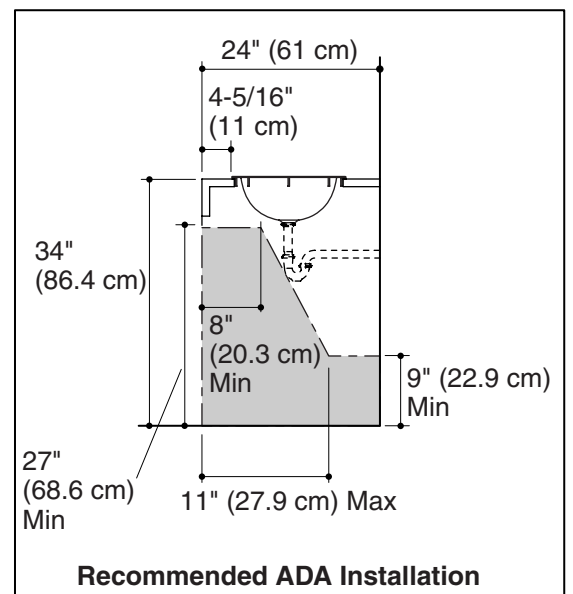
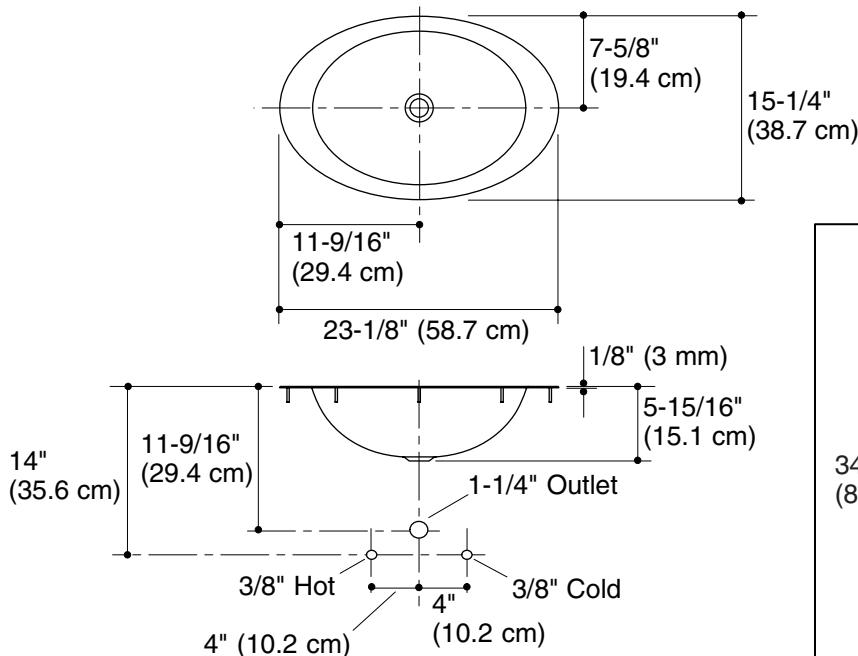
Installation Notes

Install this product according to the installation guide.

Minimum faucet spout reach of 5" (12.7 cm) is required. Review lavatory and faucet rough-in dimensions carefully to ensure the spout will reach over the rim into the basin.

Supplied basin clamp assembly requires 3/4" (1.9 cm) minimum countertop thickness. Installer must supply anchors for thinner countertops.

NOTICE: Countertop manufacturer or cutter must use the cut-out template provided by Kohler Co. (call 1-800-4-KOHLER). Kohler Co. is not responsible for cut out errors when the incorrect cut-out template is used.



Product Diagram