

Product Information

Fixture:*	basin area	water depth
Lavatory	18" (45.7 cm) x 13" (33 cm)	5-7/8" (14.9 cm)
Drain hole	1-5/8" (4.1 cm) D.	
* Approximate measurements for comparison only.		

Included Components:	
Basin clamp assembly	7259
Drain gasket	33507
Tube	1011037-CP
Cut-out template	1006417-7

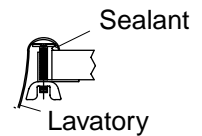
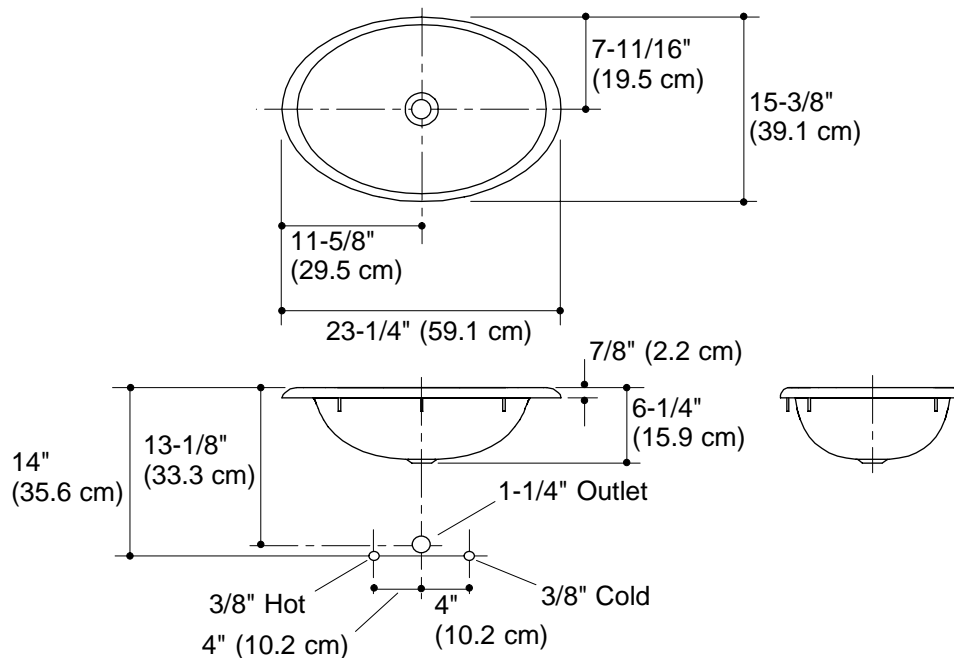
Installation Notes

Install this product according to the installation guide.

Fixture dimensions are nominal and conform to tolerances in ASME Standard A112.19.3.

Supplied basin clamp assembly requires 3/4" (1.9 cm) minimum countertop thickness. Installer must supply anchors for thinner countertops.

NOTICE: Countertop manufacturer or cutter must use the cut-out template provided by Kohler Co. (call 1-800-4-KOHLER). Kohler Co. is not responsible for cut out errors when the incorrect cut-out template is used.



Kit #7259